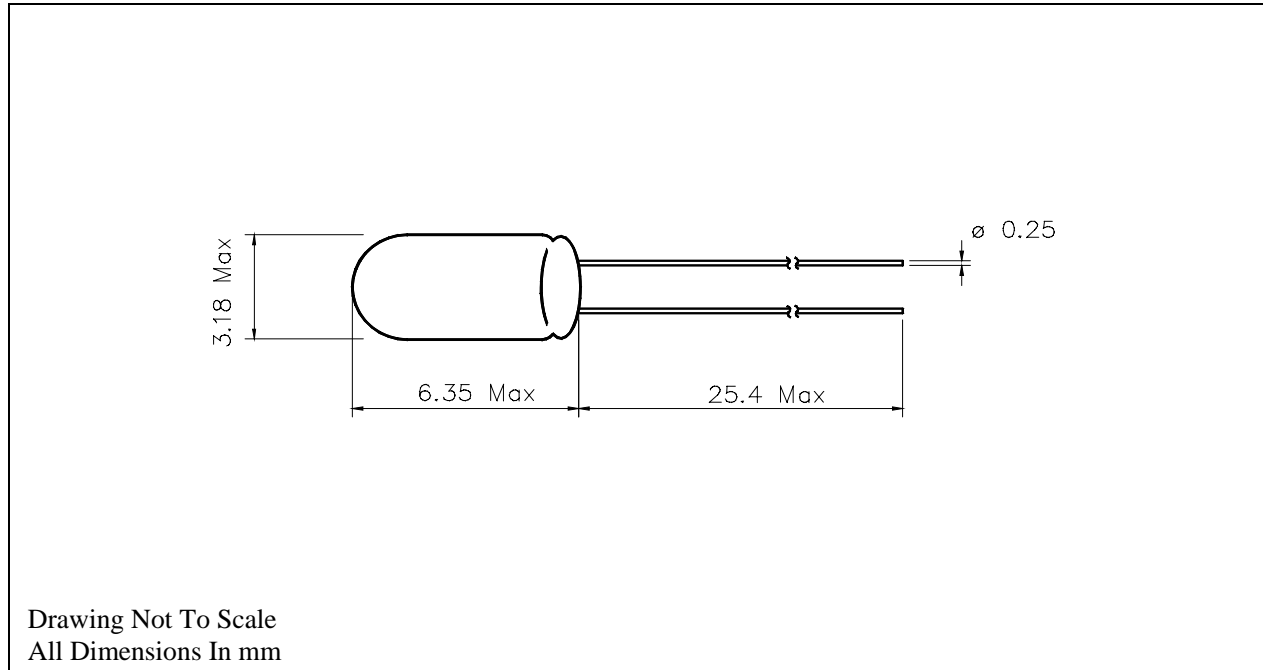


**PRODUCT
DATA SHEET**

Type	Size	Rating	Description	Part No.
Incandescent	T3	5V 0.06A	T-1 Wire Terminal Lamp	683



PHOTOMETRY DATA

TEST VOLTS	CURRENT (mA)			LIGHT OUTPUT (Lm)			LIFE (Hours)
	Min.	Nom.	Max.	Min.	Nom.	Max.	
5.0	54	60	66	0.45	0.63	0.80	40,000

NOTES:

- 1) C-2R Filament shape
- 2) Lead wires 0.25mm diameter x 25.4mm MIN. long, with tinned finish.
- 3) Other leadwire lengths to be supplied according to purchase order.

Issue No.	Date	C.N. No.	Drawn	Tech	QA	M & P	Sales
2	1/11/93		NR	JRC	RC	DU	RSC