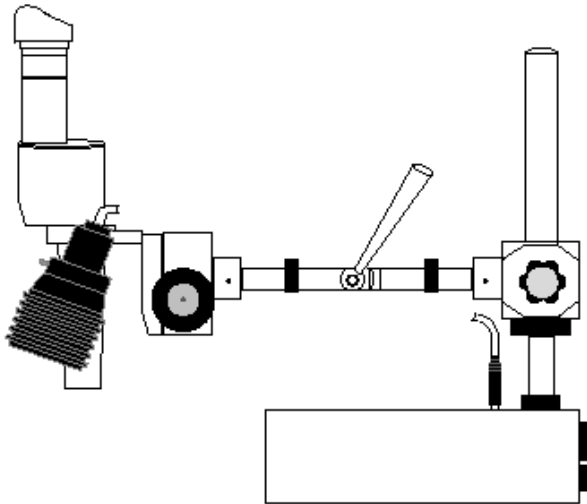
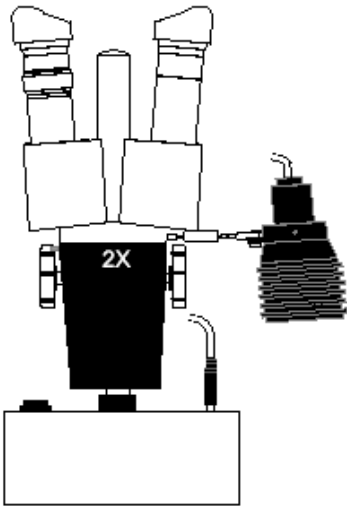


Stereo Long Reach Microscope

DURATOOL



<http://www.farnell.com>
<http://www.newark.com>
<http://www.cpc.co.uk>

DURATOOL

Stereo Long Reach Microscope

DURATOOL

Specifications:

Two 10x magnification wide field eye pieces.
Two rubber eye cups for fitting to eye pieces.
Eye piece width adjustment 50 to 75mm.
2x objective lens.
Microscope provides 20x viewing magnification.
Focal distance between base of objective lens and work piece = 115mm.
Field of view at 20x magnification = 10mm.
Maximum working height between bench top and objective lens = 200mm.
Rack and pinion adjustment = 45mm.
On/Off power switch.
Side mounted articulated illumination lamp 12V, 10W Halogen.
Base dimensions: 195mm long, 120mm wide, 65mm high.
Upright column: 210mm high x 18mm diameter.
Articulated cross arm: 270mm total length between upright column and lens.
Plastic dust cover .
Primary voltage 230V ac.
Secondary voltage 12V, 10W.

Instructions for use:

Carefully unpack the microscope from its fitted shipping box.
Remove the protective plastic bag which covers the microscope.
Place the microscope onto a solid work bench.
Fit the rubber eye cups to the eye pieces.
Remove paper covering the magnification and objective lenses.
Connect the 3 pin plug to the required electric mains supply.
Place the work piece onto the bench top.
Position the microscope head approximately 115mm above the surface of the work piece.
Switch on the illumination lamp if required.
Look through eye pieces and adjust lenses to correct eye width distance.
Rotate either of the two side adjusting knobs to focus onto the required surface.
When in general focus a fine adjustment can be made by adjusting the left hand magnification lens to balance with the right hand lens by rotating the left hand lens mount.
When the final focus has been made, the microscope head can be locked in this position by using the "C" spanner provided, to tighten the locking collar situated on one of the adjusting knob spindles against the microscope body.
To replace the magnification lens, partially withdraw the small cross head location screw situated just below the lens, this will allow the lens to be pulled from its location tube. To replace the lens, fit lens into tube until the small cross head screw is in line with the annular groove situated around the lens body, then retighten the screw.
Microscope is fitted with two 250V T1A Glass fuses.

<http://www.farnell.com>
<http://www.newark.com>
<http://www.cpc.co.uk>

DURATOOL

Stereo Long Reach Microscope



Additional Accessories:

Eye piece 15X (code 59-020-041).

Eye piece 20X (code 59-020-042).

Eye piece 10X with metric scale consisting of:

Horizontal scale 0 to 16mm in 0.1mm graduations.

Vertical scale 0 to 16mm in 0.5mm graduations.

Diagonal cross lines giving 30, 60 & 45 deg. angles (Code 59-020-045).

Objective lens 1X (Code 59-020-105).

Magnification Data

Magnification	Wide field Eyepiece	Code	Objective Lens	Code	Focal Length (mm)	Field of View (mm)
20x	10x	Fitted	2x	Fitted	115	10
30x	15x	59-020-041				5
40x	20x	59-020-042				2.5
10x	10x	Fitted	1x	50-020-049	115	20
15x	15x	59-020-041				3

Dimensions : Millimetres

Disclaimer This data sheet and its contents (the "Information") belong to the Premier Farnell Group (the "Group") or are licensed to it. No licence is granted for the use of it other than for information purposes in connection with the products to which it relates. No licence of any intellectual property rights is granted. The Information is subject to change without notice and replaces all data sheets previously supplied. The Information supplied is believed to be accurate but the Group assumes no responsibility for its accuracy or completeness, any error in or omission from it or for any use made of it. Users of this data sheet should check for themselves the Information and the suitability of the products for their purpose and not make any assumptions based on information included or omitted. Liability for loss or damage resulting from any reliance on the Information or use of it (including liability resulting from negligence or where the Group was aware of the possibility of such loss or damage arising) is excluded. This will not operate to limit or restrict the Group's liability for death or personal injury resulting from its negligence. DURATOOL is the registered trademark of the Group. © Premier Farnell plc 2010.

<http://www.farnell.com>
<http://www.newark.com>
<http://www.cpc.co.uk>

