

DPS Series 120W AC/DC DIN Rail Power Supplies



AC - DC DIN rail mountable
120W power supplies

- Compact design
- High efficiency up to 86%
- PFC function available
- Parallel function available (switch)
- Input voltage 115/230VAC auto select
- 3 Year warranty



Specifcatorn

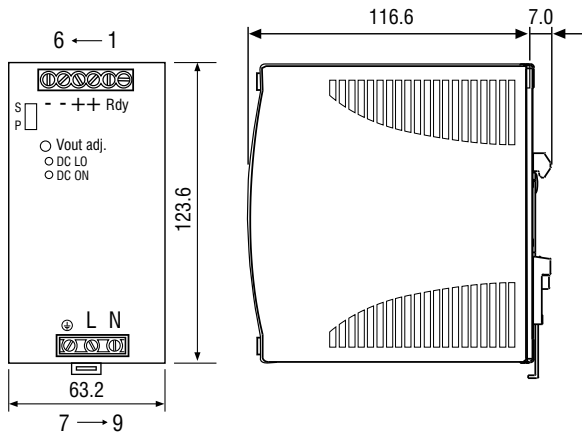
Model	DPS-1-120-24
Input Voltage	115/230VAC
Output Wattage	120W
Output Voltage	24VDC (Other output voltages available on request)
Output Current	5A
Efficiency (min/typ)	84/86%
General Specification	
Isolation voltage	3000VAC
Isolation resistance	100MΩ @ 500VDC
Ambient temperature	-10 to +71°C
Derating (from 61 to 71°C)	2.5%/°C
Storage temperature	-25 to +85°C
Relative humidity	20 to 95% RH
Cooling	Free air convection
Dimensions	L123.6 x W63.2 x D123.6 mm
Weight	920g
Case material	Metal

Input Specifications	
Rated input voltage	115/230VAC
Input voltage range	115V: 90 to 132VAC, 230V: 186 to 264VDC
Rated input current	2.8/1.4A
Line frequency	47 to 63Hz
Inrush current	24A @ 115VAC, 48A @ 230VAC
PFC	0.7 @ 230VAC
Output Specifications	
Output voltage accuracy	0 to 1% (adjusted pre-shipment)
Minimum load	0%
Line regulation	±0.5%
Load regulation	±1% single mode, ±5% parallel mode
Hold up time	25mS @ 115VAC, 30mS @ 230VAC
Temperature coefficient	±0.3%/°C
Ripple & noise	50mV
Voltage trim range	22.5 to 28.5VDC
DC ON indicator threshold at start up	17.6 to 19.4VDC
DC LO indicator threshold after start up	17.6 to 19.4VDC
Parallel operation	up to 3 units
Control and Protection	
Input fuse	T3.15A/250VAC internal
Rated over load protection	110 to 145%
Power Rdy (24V model only)	Electrical isolation: 500VDC Threshold volt. contact closed (start up): 17.6 to 19.4VDC Contact rating: 0.3A @ 60VDC
Over voltage protection	125 to 145%
Output short circuit	Current limited
Approvals and Standards	
	CE, UL/cUL

DPS Series 120W AC/DC DIN Rail Power Supplies



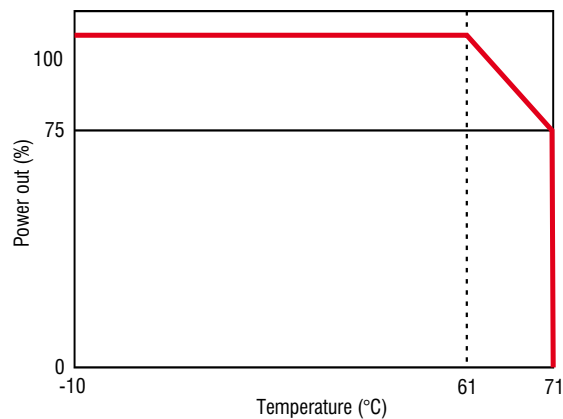
Dimensions (mm)



Pin connections

Key	Description
Rdy(1,2)	DC ON output for relay (24V models only)
+	(3) Positive output terminal
+	(4) Positive output terminal
-	(5) Negative output terminal
-	(6) Negative output terminal
(7)	Ground terminal to minimize high-frequency emissions
L	(8) Input terminals (phase conductor, no polarity at DC input)
N	(9) Input terminals (neutral conductor, no polarity at DC input)
DC ON	Operation indicator LED
DC LO	DC low voltage indicator LED
Vout adj.	Trimmer-potentiometer for Vout adjustment
S/P	Single/Parallel select switch

Derating



Installation

Ventilation/Cooling
Normal convection
All sides 25mm free space
for cooling recommended

Screw Terminal
10-24AWG flexible/solid cable
Strip cable ends by 8mm

Construction

Easy, safe and secure
snap-on, snap-off
DIN-Rail mounting
(TS35/7.5 or TS35/15)

Connections

