

DPS Series 5W, 10W, 18W AC/DC DIN Rail Power Supplies



AC - DC din rail mountable 5W, 10W and 18W class 2 power supplies

- UL, cUL, CE
- Universal input 90~265VAC
- High efficiency up to 72%
- Short circuit protection
- Internal input filter
- 3 Year warranty



Specifcaton

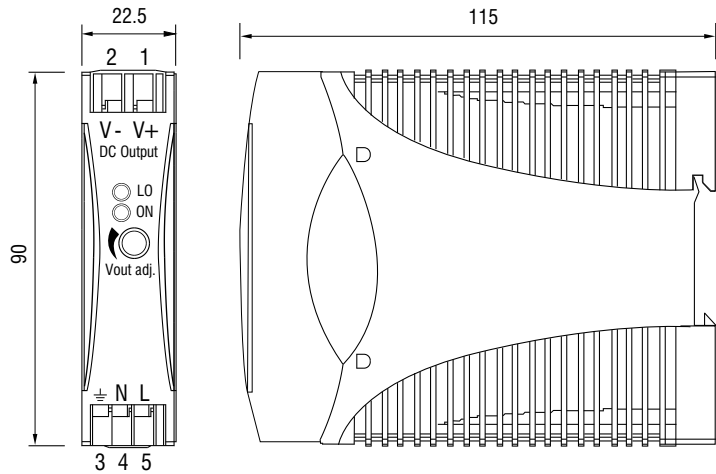
Model	DPS-1-005-24	DPS-1-010-24	DPS-1-018-24
Input Voltage	90~265VAC		
Output Wattage	5W	10W	18W
Output Voltage	24VDC (Other output voltages available on request)		
Output Current	210mA	420mA	750mA
Efficiency (min/typ)	70/72%	74/76%	75/77%
General Specification			
Switching frequency	100kHz		
Isolation voltage	3000VAC		
Isolation resistance	100MΩ @ 500VDC		
Ambient temperature	-10 to +71°C		
Derating (from 61 to 71°C)	2.5%/°C	3%/°C	3%/°C
Storage temperature	-25 to +85°C		
Relative humidity	20 to 95% RH		
Cooling	Free air convection		
Dimensions	L90 x W22.5 x D115 mm		
Weight	115g	120g	150g
Case material	Plastic		
Input Specifications			
Rated input voltage	100 to 240VAC		
Input voltage range	90 to 265VAC, 120 to 370VDC		
Line frequency	47 to 63Hz		
Inrush current	10A @ 115VAC, 18A @ 230VAC		
Output Specifications			
Output voltage accuracy	±1%		
Minimum load	0%		
Line regulation	±1%		
Load regulation	±2%		
Transient recovery time	300μS @ 50% load, step changed		
Temperature coefficient	±0.02%/°C		
Ripple & noise	50mV		
Hold up time	30mS @ 115VAC, 130mS @ 230VAC		
Voltage trim range	-10 to +20%		
DC ON indicator threshold at start up	21.6VDC		
DC LOW indicator threshold after start up	18 to 21.6VDC		
Control and Protection			
Input fuse	T2A / 250VAC internal		
Rated over load protection	110 to 135%		
Over voltage protection	125 to 145%		
Output short circuit	Hiccup mode		
Approvals and Standards			
CE, UL/cUL			

DPS Series 5W, 10W, 18W AC/DC DIN Rail Power Supplies



Dimensions (mm)

Key	Description
V+ (1)	Positive output terminal
V- (2)	Negative output terminal
⊕ (3)	Ground this terminal to minimize high-frequency emissions
N (4)	Input terminals (neutral conductor, no polarity at DC input)
L (5)	Input terminals (phase conductor, no polarity at DC input)
ON	Operation indicator LED
LO	DC LOW indicator LED
Vout adj.	Trimmer-potentiometer for Vout adjustment



Construction

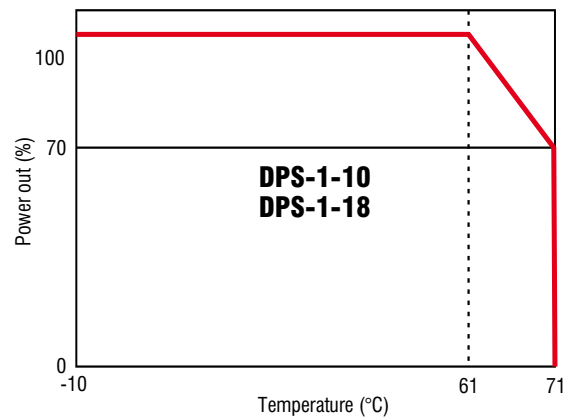
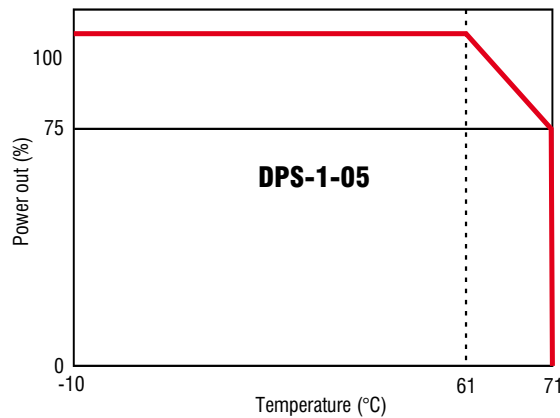
Easy, safe and secure snap-on, snap-off DIN-Rail mounting (TS35/7.5 or TS35/15)

Installation

Ventilation/Cooling
Normal convection
All sides 25mm free space for cooling recommended

Terminal size range
2 Solid: 0.2-2.0mm (AWG24-14)
(use copper conductors only)

Derating



Connections

