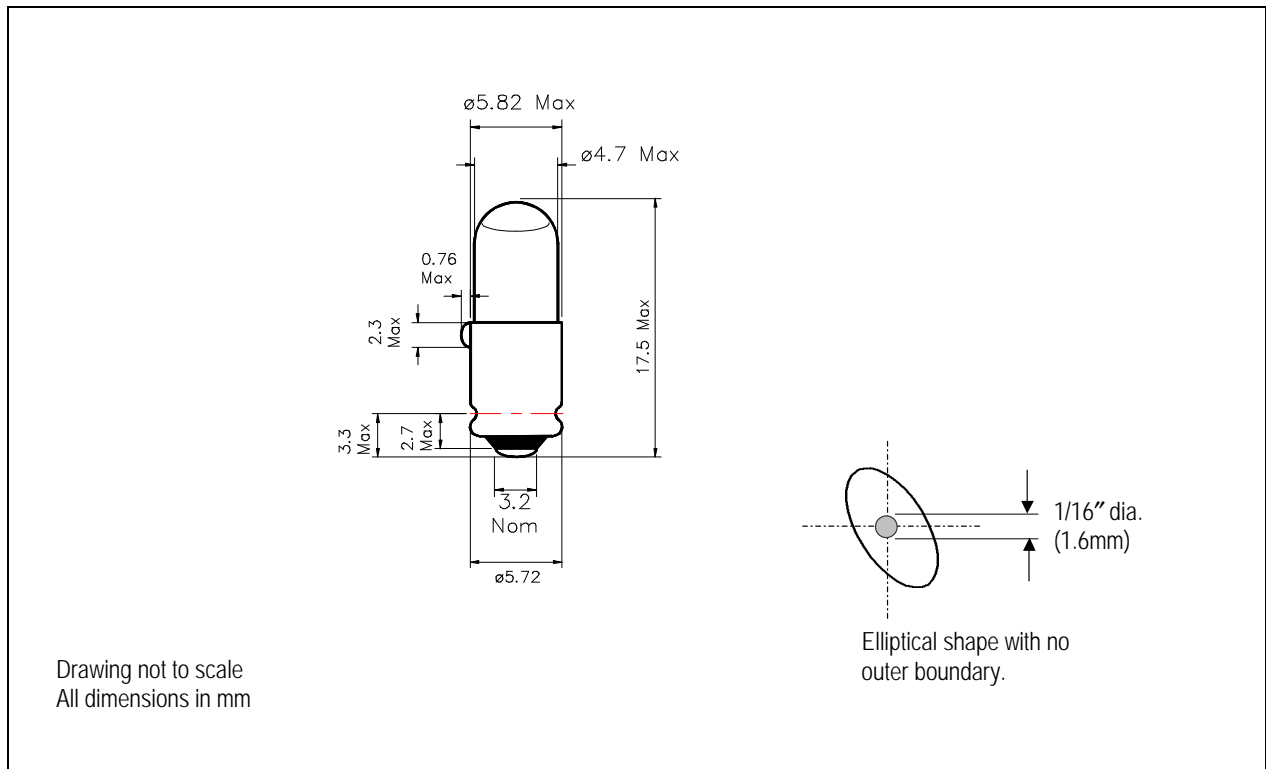


Type	Size	Description	SLI Part No.	Farnell P/No.
Incandescent	T6 (TL-1 3/4)	Lens Ended Midget Grooved Lamp	253	328789



PHOTOMETRY DATA

Lamp Rating	Test Volts	Current (mA)			Light Output (Lm)			Beam Intensity Illuminance *3	Fil Shape	Life (Hrs)
		Min	Nom	Max	Min	Nom	Max			
2.5V 0.875W	2.5	315	350	385	—	2.6	—	8000 Lux (750 fc)	C-2R	10000

NOTES:

- 1) S5.7s midget grooved cap in accordance with IEC 61-1, (BS EN 60061-1), sheet 7004-62-x.
- 2) The mechanical alignment of side solder to the plane of the filament should be within $\pm 25^\circ$.
- 3) With the side solder positioned uppermost, and with the lens tip 9.53mm (5/8") from the surface illuminated, the spot pattern shall have an elliptical shape and must cover a 1.6mm diameter circle (1/16") with an Illuminance of 8000 lux minimum, (750 foot candles).
- 4) Marking: Metal cap to be durably marked with trademark and part number.