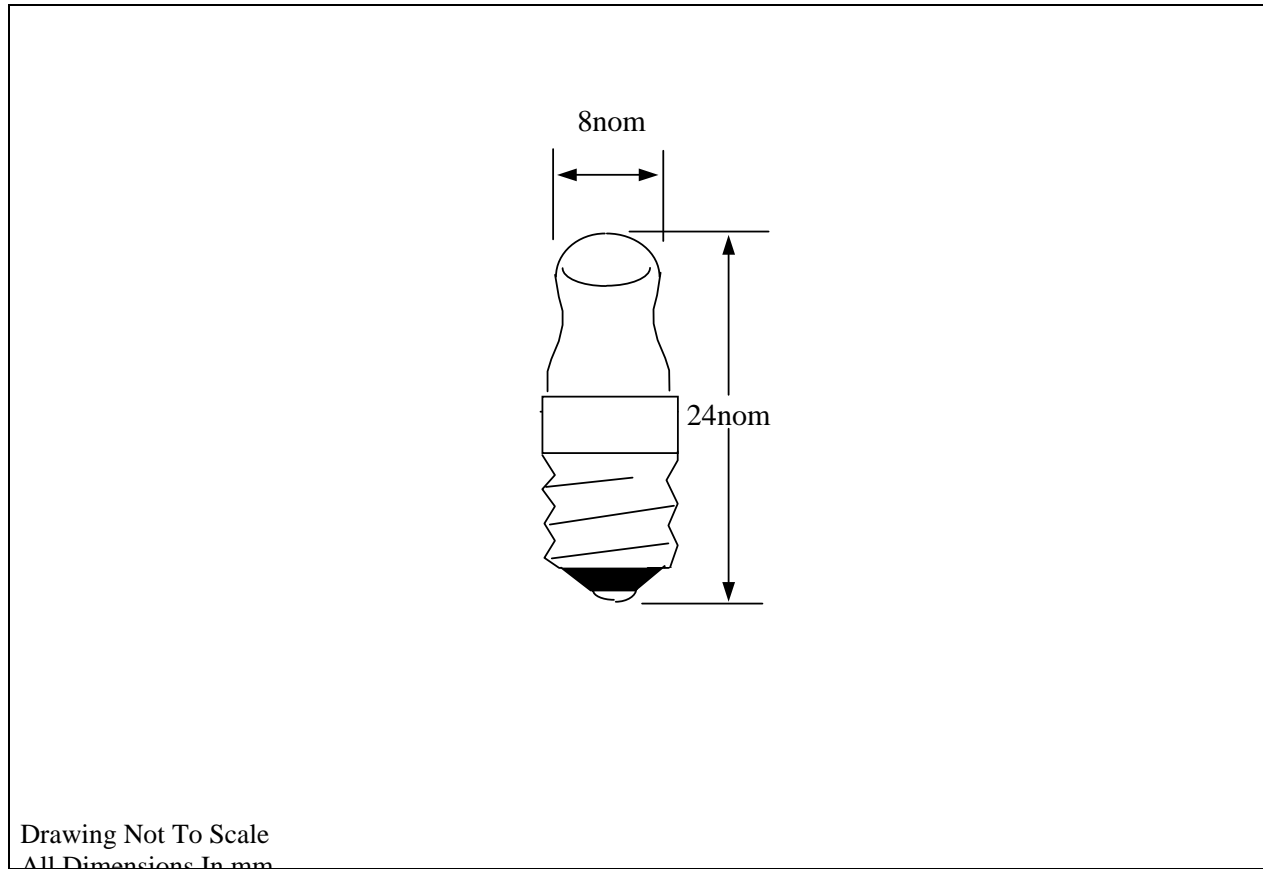


**PRODUCT
DATA SHEET**

Type	Size	Rating	Description	Part No.
Incandescent	T-3¼	See Table	MES Lens end lamp	1300XXXX



PHOTOMETRY DATA

PART No	VOLTS	CURRENT (A)	FILAMENT SHAPE
13000703	2.2	0.3	C-2R
13001503	3.7	0.3	C-2R

NOTES:

- 1) Nickel plated screw cap, type E10/13 to BS EN60061-1, sheet 7004-22-6.

Issue No.	Date	C.N. No.	Drawn	Tech	QA
1	14/05/07		BCW		