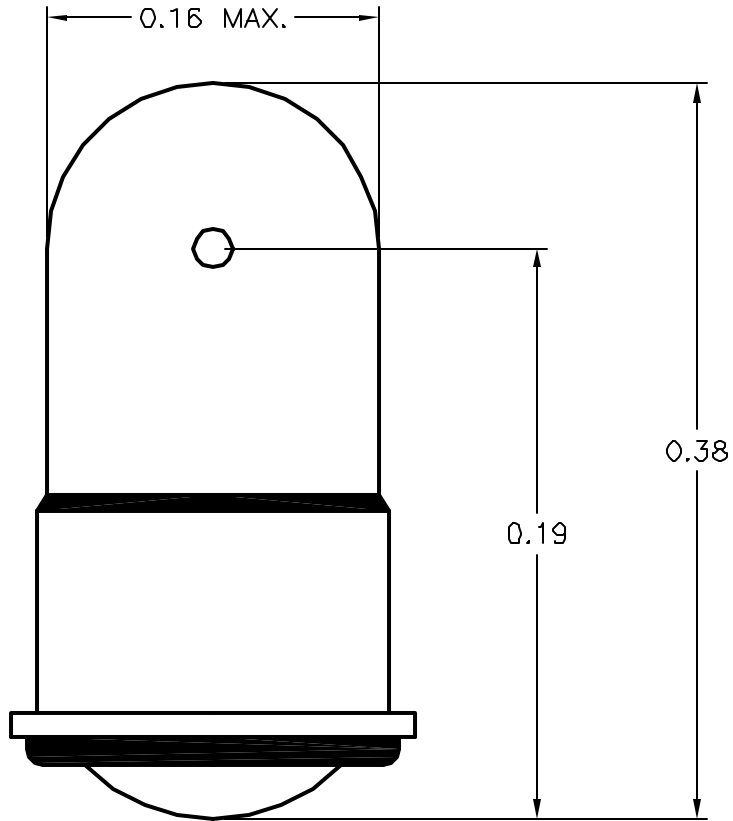


ALL RIGHTS RESERVED. NO PORTION OF THIS PUBLICATION, WHETHER IN WHOLE OR IN PART CAN BE REPRODUCED WITHOUT THE EXPRESS WRITTEN CONSENT OF SPC TECHNOLOGY.

REVISIONS			DOC. NO. SPC-F004 * Effective: 12/21/98 * DCP No: 680						
DCP #	REV	DESCRIPTION	DRAWN	DATE	CHECKD	DATE	APPRVD	DATE	
	B	REVISED & REDRAWN	J.C.				J.L.		
948	C	CHG. TO TABULAR SPEC	HYD	8/8/00	JC	11/22/00	JC	11/22/00	



SPC TYPE NO.	VOLTS	AMPS	WATTS	MSCP	FILAMENT	LIFE (HOURS)
32	12	0.06	0.72	0.13	C-2F	10000
682	5	0.06	0.3	0.03	C-2R	60000
685	5	0.06	0.3	0.05	C-2R	25000
718	5	0.115	0.575	0.15	C-2R	40000
6839	28	0.024	0.672	0.13	CC-2F	4000

SPC-F004-DWG

DISCLAIMER:
ALL STATEMENTS AND TECHNICAL INFORMATION CONTAINED HEREIN ARE BASED UPON INFORMATION AND/OR TESTS WE BELIEVE TO BE ACCURATE AND RELIABLE. SINCE CONDITIONS OF USE ARE BEYOND OUR CONTROL, THE USER SHALL DETERMINE THE SUITABILITY OF THE PRODUCT FOR THE INTENDED USE AND ASSUME ALL RISK AND LIABILITY WHATSOEVER IN CONNECTION THEREWITH.



SPC TECHNOLOGY

UNLESS OTHERWISE SPECIFIED, DIMENSIONS ARE FOR REFERENCE PURPOSES ONLY.	DRAWN BY:	DATE:	DRAWING TITLE:			
	J.C.	1/5/93	T-1 SUB MIDGET FLANGED BASE LAMP			
	CHECKED BY:	DATE:	SIZE	DWG. NO.	ELECTRONIC FILE	REV
	J.P.	2/2/93	A	TA-262	TA-262.DWG	C
APPROVED BY:	DATE:	SCALE: NTS		U.O.M.: INCHES		SHEET: 1 OF 1
J.L.	2/8/93					