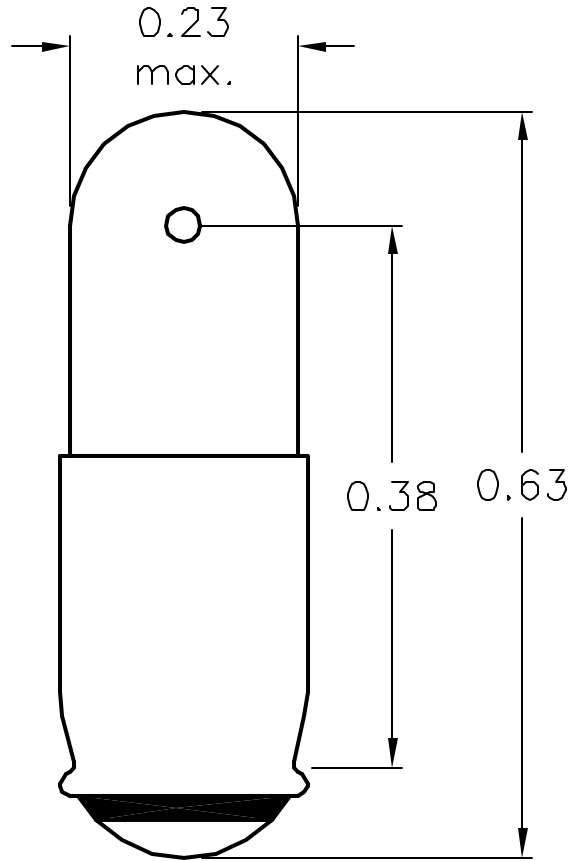


ALL RIGHTS RESERVED. NO PORTION OF THIS PUBLICATION, WHETHER IN WHOLE OR IN PART CAN BE REPRODUCED WITHOUT THE EXPRESS WRITTEN CONSENT OF SPC TECHNOLOGY.

REVISIONS			DOC. NO. SPC-F004 * Effective: 12/21/98 * DCP No: 680					
DCP #	REV	DESCRIPTION	DRAWN	DATE	CHECKD	DATE	APPRVD	DATE
	B	REVISED & REDRAWN	J.C.	12/4/92			J.L.	
948	C	ADDED PARTS, WAS IN 3*****	HYD	6/28/00	JC	9/8/00	JC	9/8/00



SPC TYPE NO.	VOLTS	AMPS	WATTS	MSCP	FILAMENT	LIFE (HOURS)
334	28	0.04	1.12	0.34	C-2F	4000
379	6.3	0.2	1.26	0.4		20000
386	14	0.08	1.12	0.3		15000
337	6	0.2	1.2	0.6	C-2R	1000
388	28	0.04	1.12	0.3		7000
398	6.3	0.2	1.26	0.55		5000

SPC-F004.DWG

DISCLAIMER:
ALL STATEMENTS AND TECHNICAL INFORMATION CONTAINED HEREIN ARE BASED UPON INFORMATION AND/OR TESTS WE BELIEVE TO BE ACCURATE AND RELIABLE. SINCE CONDITIONS OF USE ARE BEYOND OUR CONTROL, THE USER SHALL DETERMINE THE SUITABILITY OF THE PRODUCT FOR THE INTENDED USE AND ASSUME ALL RISK AND LIABILITY WHATSOEVER IN CONNECTION THEREWITH.



SPC TECHNOLOGY

UNLESS OTHERWISE SPECIFIED, DIMENSIONS ARE FOR REFERENCE PURPOSES ONLY.

DRAWN BY:	DATE:
J.C.	12/4/92
CHECKED BY:	DATE:
J.P.	2/2/93
APPROVED BY:	DATE:
J.L.	2/8/93

DRAWING TITLE:
T 1-3/4 MIDGET GROOVED LAMP

SIZE	DWG. NO.	ELECTRONIC FILE	REV
A	TA-269	TA-269.DWG	C

SCALE: NTS U.O.M.: INCHES SHEET: 1 OF 1