

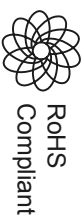


SPC  
TECHNOLOGY

ALL RIGHTS RESERVED. NO PORTION OF THIS PUBLICATION, WHETHER IN WHOLE OR IN PART CAN BE REPRODUCED WITHOUT THE EXPRESS WRITTEN CONSENT OF SPC TECHNOLOGY.

SPC-F005.DWG

REVISONS		DOC. NO. SPC-F005	* Effective: 7/8/02	* DCP No: 1398				
DCP #	REV	DESCRIPTION	DRAWN	DATE	CHECKD	DATE	APPRVD	DATE
			VEE	06-08-10	JAG	11-08-10	XXX	20-08-10



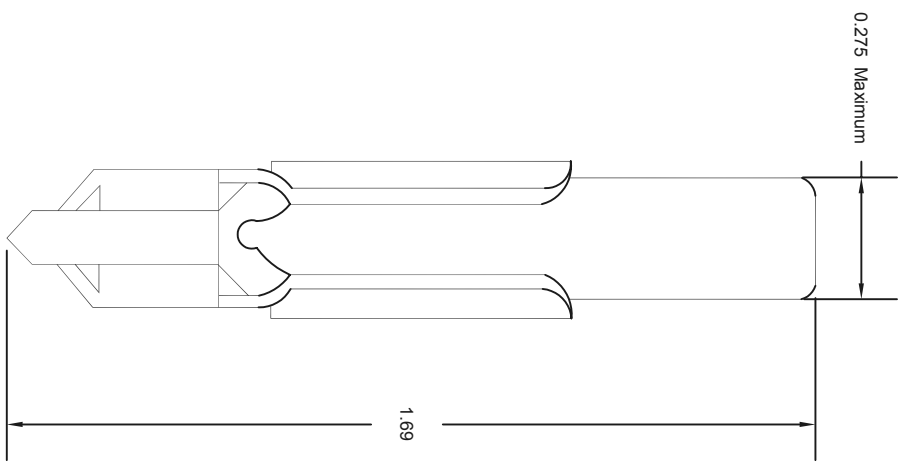
RoHS  
Compliant

**Specifications:**

1. Volts : 24V
2. AMPS : 0.035
3. Watts : 0.84
4. EFC : 600
5. Filament : C-2F
6. Life : 7000 hours

**Part Number Table**

Description	Part Number
T-2 Telephone Slide # 3 Lamp	24E3



Dimensions : inches

**DISCLAIMER:**  
ALL STATEMENTS AND TECHNICAL INFORMATION CONTAINED HEREIN ARE BASED UPON INFORMATION AND/OR TESTS WE BELIEVE TO BE ACCURATE AND RELIABLE. SINCE CONDITIONS OF USE ARE BEYOND OUR CONTROL, THE USER SHALL DETERMINE THE SUITABILITY OF THE PRODUCT FOR THE INTENDED USE AND ASSUME ALL RISK AND LIABILITY WHATSOEVER IN CONNECTION THEREWITH.

**TOLERANCES:**  
UNLESS OTHERWISE SPECIFIED, DIMENSIONS ARE FOR REFERENCE PURPOSES ONLY.

DRAWN BY:	DATE:	DRAWING TITLE:		ELECTRONIC FILE		REV
VEE	06-08-10	T-2 Telephone Slide # 3 Lamp		XXX		50N8217
CHECKED BY:	DATE:	SIZE	DWG. NO.	XXX		A
JAG	11-08-10	XXX	XXX	XXX		
APPROVED BY:	DATE:	SCALE:	NTS	U.O.M.:	INCHES [mm]	SHEET:
XXX	20-08-10	NTS				1 OF 1