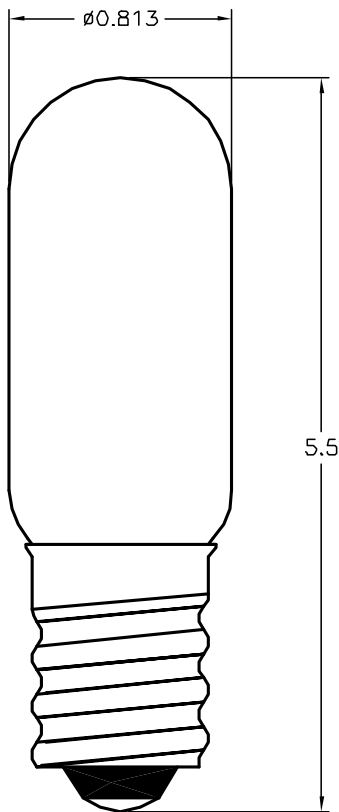


ALL RIGHTS RESERVED. NO PORTION OF THIS PUBLICATION, WHETHER IN WHOLE OR IN PART CAN BE REPRODUCED WITHOUT THE EXPRESS WRITTEN CONSENT OF SPC TECHNOLOGY.

DCP #		REV	DESCRIPTION	DRAWN	DATE	CHECKD	DATE	APPRVD	DATE
948		A	RELEASED	HYO	6/9/00	JC	11/22/00	DJC	12/1/00



SPC Type #	VOLTS	AMPS	WATTS	LUMENS	FILAMENT	LIFE (HOURS)
20T6-1/2N-130V	130	0.154	20	94	C-8	7000
20T6-1/2F-130V	130	0.154	20	90		7000
25T6-1/2N-130V	130	0.192	25	244		1000
25T6-1/2N/F-130V	130	0.192	25	240		1000
40T6-1/2N-130V	130	0.308	40	424		750
40T6-1/2N/F-130V	130	0.308	40	420		750

<small>DISCLAIMER</small> ALL STATEMENTS AND TECHNICAL INFORMATION CONTAINED HEREIN ARE BASED UPON INFORMATION AND/OR TESTS WE BELIEVE TO BE ACCURATE AND RELIABLE. SINCE CONDITIONS OF USE ARE BEYOND OUR CONTROL, THE USER SHALL DETERMINE THE SUITABILITY OF THE PRODUCT FOR THE INTENDED USE AND ASSUME ALL RISK AND LIABILITY WHATSOEVER IN CONNECTION THEREWITH.				
UNLESS OTHERWISE SPECIFIED, DIMENSIONS ARE FOR REFERENCE PURPOSES ONLY.	DRAWN BY:	DATE:	DRAWING TITLE:	
	HISHAM ODISH	6/9/00	T 6-1/2 INTERMEDIATE SCREW BASE LAMP	
	CHECKED BY:	DATE:	SIZE	DWG. NO.
	JOHN COLE	11/22/00	A	TA-263
APPROVED BY:	DATE:	ELECTRONIC FILE		REV
DANIEL CAREY	12/1/00	TA-263.DWG		A
SCALE: NTS		U.O.M.: INCHES		SHEET: 1 OF 1

SPC-F005.DWG