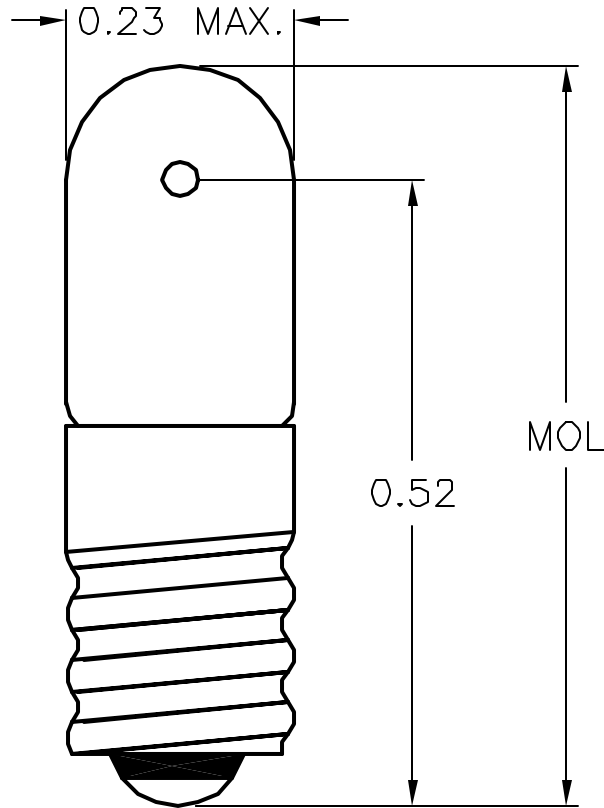


ALL RIGHTS RESERVED. NO PORTION OF THIS PUBLICATION, WHETHER IN WHOLE OR IN PART CAN BE REPRODUCED WITHOUT THE EXPRESS WRITTEN CONSENT OF SPC TECHNOLOGY.

REVISIONS		DOC. NO. SPC-F004 * Effective: 12/21/98 * DCP No: 680						
DCP #	REV	DESCRIPTION	DRAWN	DATE	CHECKD	DATE	APPRVD	DATE
	B	REVISED & REDRAWN		J.C	/13/93		J.L	
948	C	CREATE TABULAR SPEC	HYD	6/22/00	JC	10/4/00	JC	10/4/00



SPC TYPE NO.	VOLTS	AMPS	WATTS	MSCP	FILAMENT	MOL	LIFE (HOURS)
335	28	0.04	1.12	0.34	C-2F	0.72	4000
378	6.3	0.2	1.26	0.4		0.72	20000
399	28	0.04	1.12	0.3		0.63	7000
8362	14	0.08	1.12	0.3		0.69	15000
8369	28	0.065	1.82	0.65		0.63	15000
1768	6	0.2	1.2	0.6	C-2R	0.63	1000
1769	2.5	0.2	0.5	0.22		0.72	500
1775	6.3	0.075	0.47	0.23		0.63	1000
342	6	0.04	0.24	0.03	C-2V	0.72	10000

SPC-F004.DWG

**DISCLAIMER:**  
ALL STATEMENTS AND TECHNICAL INFORMATION CONTAINED HEREIN ARE BASED UPON INFORMATION AND/OR TESTS WE BELIEVE TO BE ACCURATE AND RELIABLE. SINCE CONDITIONS OF USE ARE BEYOND OUR CONTROL, THE USER SHALL DETERMINE THE SUITABILITY OF THE PRODUCT FOR THE INTENDED USE AND ASSUME ALL RISK AND LIABILITY WHATSOEVER IN CONNECTION THEREWITH.



**SPC TECHNOLOGY**

UNLESS OTHERWISE SPECIFIED, DIMENSIONS ARE FOR REFERENCE PURPOSES ONLY.	DRAWN BY:	DATE:	DRAWING TITLE:			
	J.C.	1/13/93	T 1-3/4 MIDGET SCREW BASE LAMP			
	CHECKED BY:	DATE:	SIZE	DWG. NO.	ELECTRONIC FILE	REV
	J.P.	2/2/93	A	TA-266	TA-266.DWG	C
	APPROVED BY:	DATE:	SCALE: NTS		U.O.M.: INCHES	SHEET: 1 OF 1
	J.L.	2/8/93				