

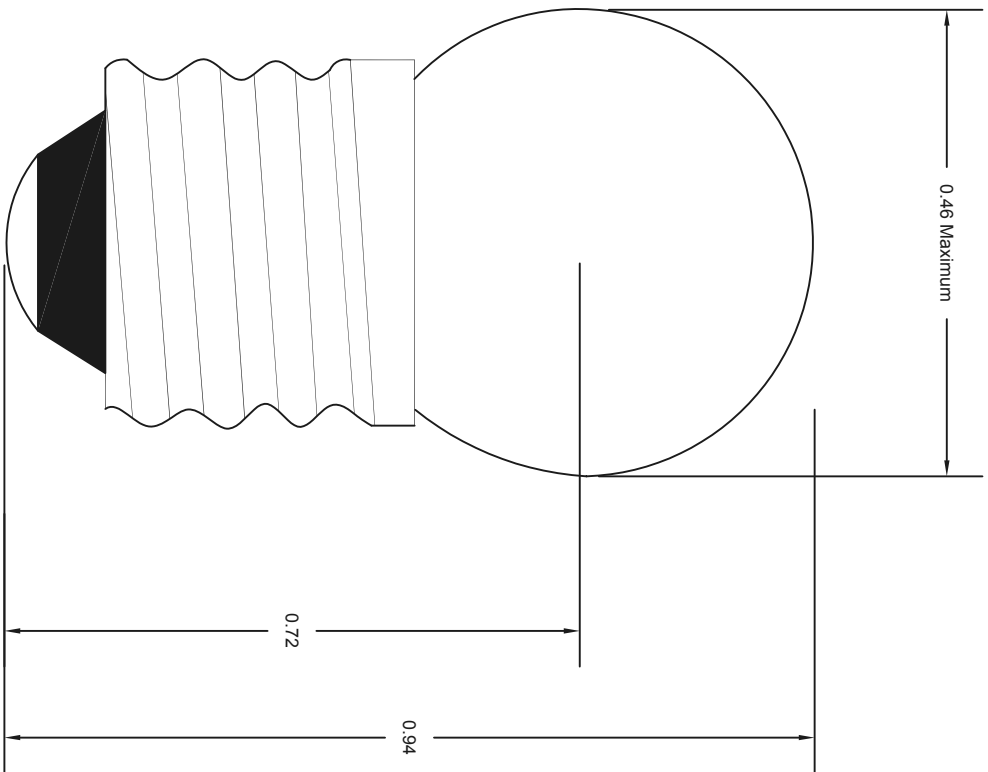


SPC
TECHNOLOGY

ALL RIGHTS RESERVED. NO PORTION OF THIS PUBLICATION,
WHETHER IN WHOLE OR IN PART CAN BE REPRODUCED
WITHOUT THE EXPRESS WRITTEN CONSENT OF SPC
TECHNOLOGY.

SPC-F005.DWG

REVISIONS		DOC. NO. SPC-F005	* Effective: 7/8/02	* DCP No: 1398				
DCP #	REV	DESCRIPTION	DRAWN	DATE	CHECKD	DATE	APPRVD	DATE
			VEE	02-08-10	JAG	03-08-10	XXX	16-08-10



Dimensions : Inches (mm)

Specifications:

1. Volts: 2.47
2. Amps: 0.3
3. Watts: 0.741
4. MSCP: 0.5
5. Filament: C-2R
6. Life: 15 hours

Part Number Table

Description	Part Number
G 3 - 1/2 Miniature Screw Base Lamp	14



DISCLAIMER:
ALL STATEMENTS AND TECHNICAL INFORMATION CONTAINED
HEREIN ARE BASED UPON INFORMATION AND/OR TESTS WE
BELIEVE TO BE ACCURATE AND RELIABLE. SINCE
CONDITIONS OF USE ARE BEYOND OUR CONTROL, THE
USER SHALL DETERMINE THE SUITABILITY OF THE PRODUCT
FOR THE INTENDED USE AND ASSUME ALL RISK AND
LIABILITY WHATSOEVER IN CONNECTION THEREWITH.

TOLERANCES:
UNLESS OTHERWISE
SPECIFIED,
DIMENSIONS ARE
FOR REFERENCE
PURPOSES ONLY.

DRAWN BY:	DATE:
VEE	02-08-10
CHECKED BY:	DATE:
JAG	03-08-10
APPROVED BY:	DATE:
XXX	16-08-10

DRAWING TITLE:		G 3 - 1/2 Miniature Screw Base Lamp	
SIZE	DWG. NO.	ELECTRONIC FILE	REV
XXX	XXX	50N8054	A
SCALE:	NTS	U.O.M.: INCHES [mm]	SHEET: 1 OF 1