



SPC
TECHNOLOGY

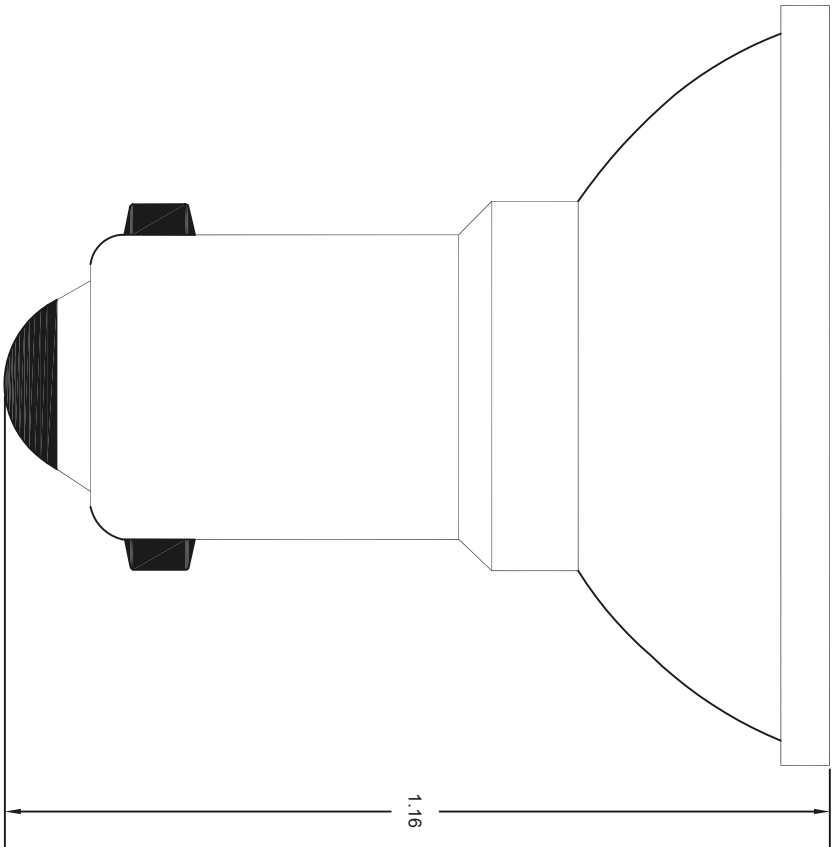
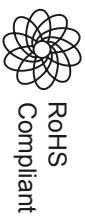
ALL RIGHTS RESERVED. NO PORTION OF THIS PUBLICATION, WHETHER IN WHOLE OR IN PART CAN BE REPRODUCED WITHOUT THE EXPRESS WRITTEN CONSENT OF SPC TECHNOLOGY.

SPC-F005.DWG

REVISIONS

DCP #	REV	DESCRIPTION	DRAWN	DATE	CHECKD	DATE	APPRVD	DATE
			AMD	01-08-10	JAG	05-08-10	XXX	16-08-10

DOC. NO. SPC-F005 * Effective: 7/8/02 * DCP No: 1398



Dimensions : Inches

Specifications:

- 1. Volts : 120
- 2. Amps : 0.025
- 3. Watts : 3
- 4. EFC : 1000
- 5. Filament : CC-7A
- 6. Life : 7500 hours

Part Number Table

Description	Part Number
T-2 Miniature Bayonet Base Lamp	120RB

TOLERANCES:

UNLESS OTHERWISE SPECIFIED, DIMENSIONS ARE FOR REFERENCE PURPOSES ONLY.

DISCLAIMER:
ALL STATEMENTS AND TECHNICAL INFORMATION CONTAINED HEREIN ARE BASED UPON INFORMATION AND/OR TESTS WE BELIEVE TO BE ACCURATE AND RELIABLE. SINCE CONDITIONS OF USE ARE BEYOND OUR CONTROL, THE USER SHALL DETERMINE THE SUITABILITY OF THE PRODUCT FOR THE INTENDED USE AND ASSUME ALL RISK AND LIABILITY WHATSOEVER IN CONNECTION THEREWITH.

DRAWN BY:

AMD

DATE:

01-08-10

DRAWING TITLE:

T-2 Miniature Bayonet Base Lamp

CHECKED BY:

JAG

DATE:

05-08-10

DWG. NO.:

XXX

ELECTRONIC FILE

16N7546

REV

A

APPROVED BY:

XXX

DATE:

16-08-10

SCALE:

NTS

U.O.M.: INCHES [mm]

SHEET:

1

OF

1