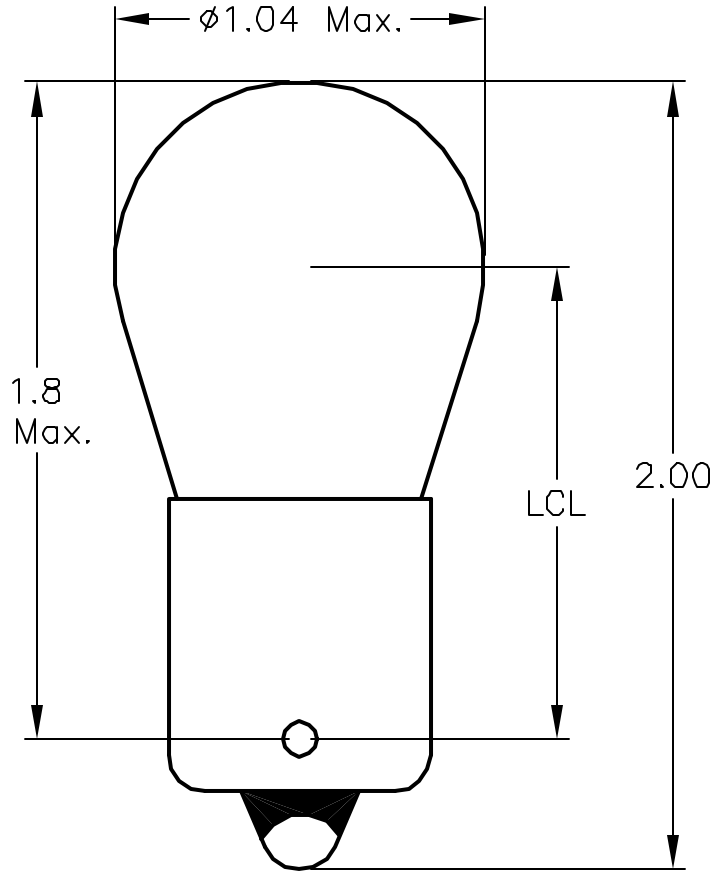


ALL RIGHTS RESERVED. NO PORTION OF THIS PUBLICATION, WHETHER IN WHOLE OR IN PART CAN BE REPRODUCED WITHOUT THE EXPRESS WRITTEN CONSENT OF SPC TECHNOLOGY.

REVISIONS			DOC. NO. SPC-F004 * Effective: 12/21/98 * DCP No: 680						
DCP #	REV	DESCRIPTION	DRAWN	DATE	CHECKD	DATE	APPRVD	DATE	
	B	REVISED & REDRAWN	J.C.	12/18/92	J.P.	2/2/93	J.L.	2/8/93	
948	C	UPDATED TO TABULAR SPEC	HYO	7/20/00	JC	11/22/00	JC	11/22/00	



SPC TYPE NO.	VOLTS	AMPS	WATTS	MSCP	FILAMENT	LCL	LIFE (HOURS)
1141	12.8	1.44	18.432	21	C-6	1.25	500
1683	28	1.02	28.56	32	2C-6		500
1156	12.8	2.1	26.88	32	C-6		1200
1619	6.7	1.9	12.73	15	C-6		500
93	12.8	1.04	13.3	15	C-6		700
307	28	0.67	18.76	21	C-2V	1.13	300

SPC-F004.DWG

DISCLAIMER:
ALL STATEMENTS AND TECHNICAL INFORMATION CONTAINED HEREIN ARE BASED UPON INFORMATION AND/OR TESTS WE BELIEVE TO BE ACCURATE AND RELIABLE. SINCE CONDITIONS OF USE ARE BEYOND OUR CONTROL, THE USER SHALL DETERMINE THE SUITABILITY OF THE PRODUCT FOR THE INTENDED USE AND ASSUME ALL RISK AND LIABILITY WHATSOEVER IN CONNECTION THEREWITH.



SPC TECHNOLOGY

UNLESS OTHERWISE SPECIFIED, DIMENSIONS ARE FOR REFERENCE PURPOSES ONLY.

DRAWN BY:	DATE:
J.C.	12/18/92
CHECKED BY:	DATE:
J.P.	2/2/93
APPROVED BY:	DATE:
J.L.	2/8/93

DRAWING TITLE: S-8 SINGLE CONTACT BAYONET BASE LAMP			
SIZE A	DWG. NO. TA-276	ELECTRONIC FILE TA-276.DWG	REV C
SCALE: NTS		U.O.M.: INCHES	SHEET: 1 OF 1