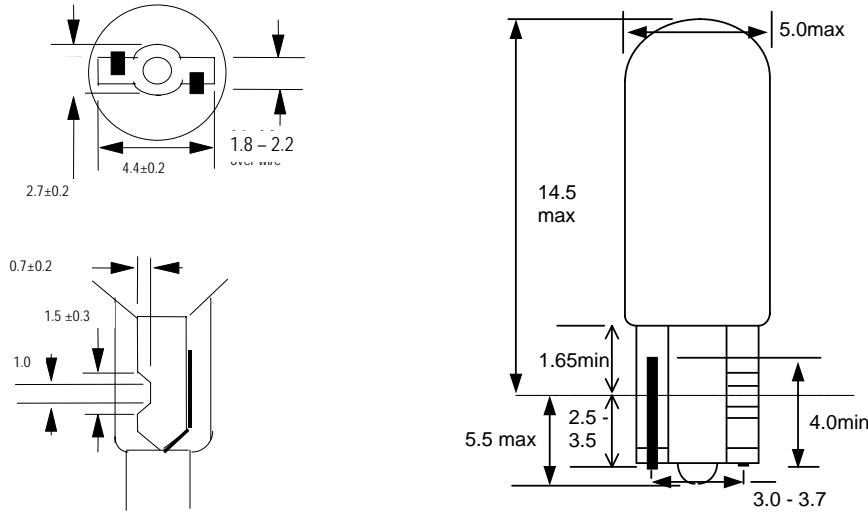


Description : **T-1½(5mm) Lead-free Wedge base lamp 24V 30mA**

Dimensional Characteristics : All dimensions in mm



Marking

CML 24V 30mA

Performance Characteristics @ 24 volts

	Nom	Min	Max
Current(mA)	30	27	33
Light output(Lm)	1.25	0.95	1.55
Life(hrs)	5,000		

Issue # 1

Date 26/01/06