

LUM – Technical Information

The real plug-and-play outdoor fixture.



A: Benefits

- High lumen output for illumination.
- RGB colour changing effects.
- Easy handling and installation.
- Compact size LED floodlight with low power consumption and cool running.
- Robust construction giving minimal maintenance.

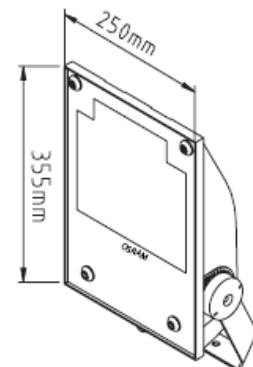
B: Application

- Illumination from entertainment to historical architecture.
- For dynamically and smoothly illumination of façades and landscape with a huge range of colourings.
- To replace conventional lighting solutions suitable for all locations.



C: Product Description

- Aluminium die cast housing, tempered glass with silkscreen.
- 34 high power GOLDEN DRAGON LED (10 red – 12 green – 12 blue).
- Equipped with 30° lens.
- OSRAM OT EASY 60 W / 24 V power supply and controller integrated into the floodlight.
- Floor or wall mounted.
- Up to 16 projectors can be linked together via master-slave.



D: Packaging

Brown shipping box –450 mm x 290mm x 120mm

E: Logistic Data

Product Name	Color	EAN	Shipment Unit
EUROFLOOD RGB EASY	grey	4008321 218421	1x1

Accessory

Product Name	Color	EAN	Shipment Unit
EUROFLOOD IR receiver IP65	-	n/a	

Other suitable accessories

Product Name	Color	EAN	Shipment Unit
DALI EASY remote control	blue	4008321 053152	1x1
EASY COLOR CONTROL software	-	4008321 915559	1x1
EASY PB Coupler	-	4008321 915597	1x1

EASY PB Coupler :
can be connected to the Euroflood RGB Easy with integrated screw terminal.



EASY COLOR CONTROL Software :



F: Marketing Tools

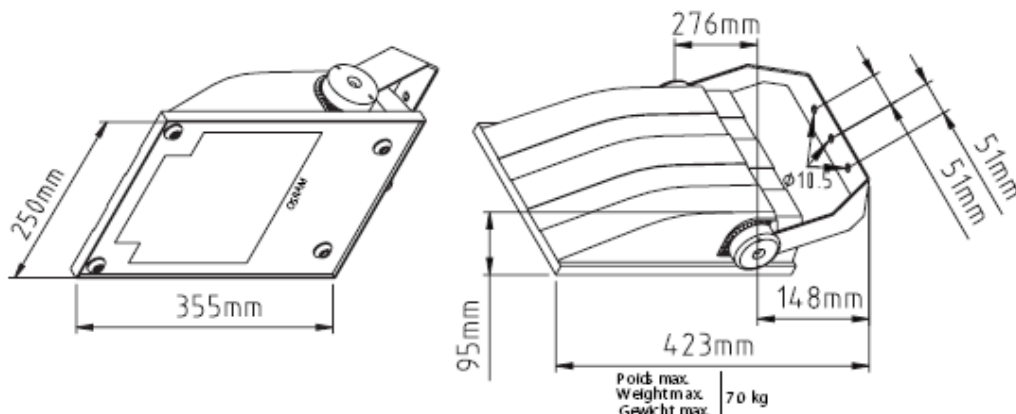
- Product presentation
- User manual

G: Technical Information

1. Housing, mounting and Accessories

- Housing special features : mounting bracket as integrated part of floodlight, cover mounted on hinges, to open with 2 captive screws, 2x M16 packing gland for power supply cable and data cable.
- IR outdoor receiver : equipped with rapid connector.

Housing material	Aluminium die cast housi Clear tempered glass cover with silkscreen.
Housing colour	Grey – RAL 9007
Mounting foot	Tempered steel, powdered grey RAL 9007
Net weight	7.0 kg
Dimensions (WxHxD) mm	Overall : 250 mm x 423 mm x 95 mm Without mounting support : 250 mm x 355 mm x 95 mm
Mounting holes	Ø 10.5mm, 3 holes spacing 51mm centred
Operating temperature	- 25 °C to + 35 °C
Storage temperature	to be defined
Fire protection	to be defined
Glow wire test	to be defined
Ingress protection	IP 66
Shock resistance	IK 09
Safety class	I
Approval marks	-



EUROFLOOD RGB EASY

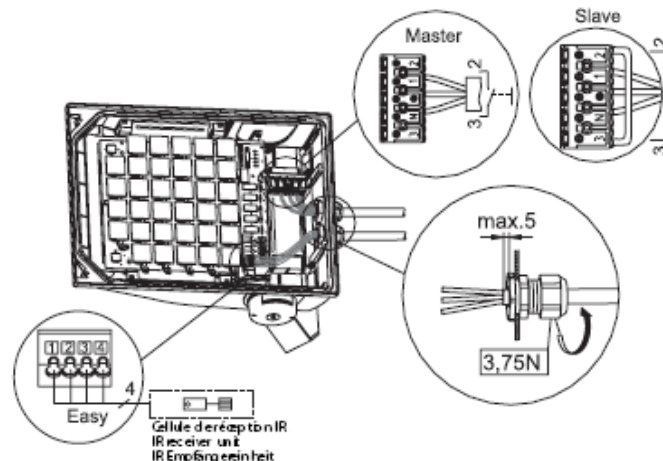
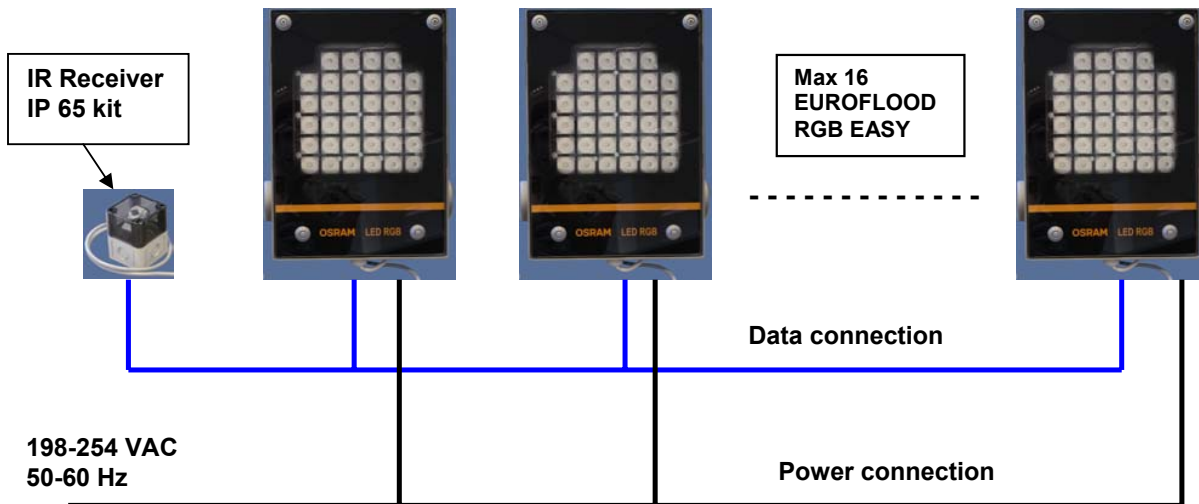


- Mounting : see instruction manual
- Power cables : HO5RN-F / HO7RN-F / NYM 3x1.5-2.5 mm²
- Data cables : HO5RN-F / HO7RN-F / NYM 4x0.3-1.0 mm² - max 50m to PB Coupler – max 100m to IR receiver
- Connections have to be done thru IP65 min junction box, max 100m total connection cable from first to last fixture

2. Electrical Installation

- Data and power wires connecting with push-wire connectors.
- Direct power connection on electrical connection.

Power supply (included)	OSRAM OT EASY 60/220-240/24 RVB
Input voltage	198 to 254 V AC
Rated power	45 W
Mains Frequency (Hz)	50 – 60 Hz



3. Optical features

- For dynamic colour applications with endless colour mixing possibilities.
- Best output with real uniform colour coverage.
- Best suitable for applications that require large wall washing and long throw capabilities

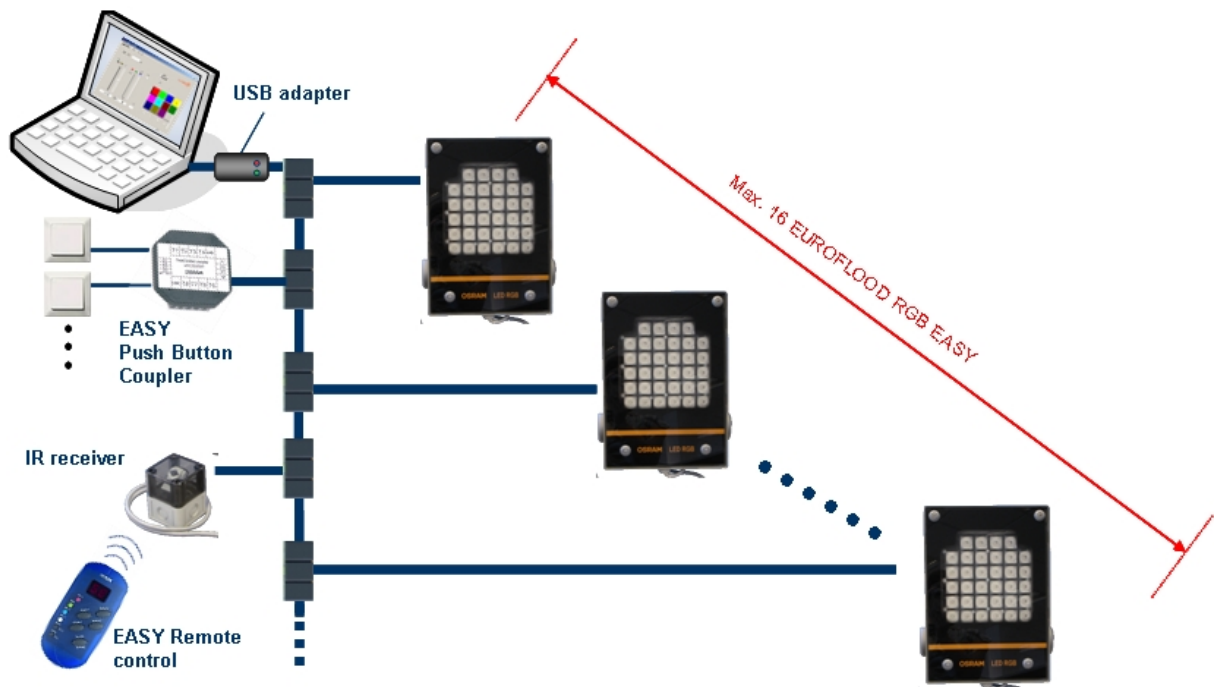
Used LED	34 x OSRAM High power Golden Dragon 1W LED
LED color	Red : 10 LED Green : 12 LED Blue : 12 LED
Beam angle	30° deg. lenses
LED configuration	LED mounted in mixed position, pitch 3 cm.
Luminous intensity (350mA / LED)	Red : on going Green : on going Blue : on going White : on going
Luminous flux (dimming 100%)	Red : on going Green : on going Blue : on going White : on going
Illumination height	On going



4. Control

- Easy to use with high reliable OSRAM OT EASY controller.
- Independent operation of systems with up to 16 fixtures, via master-slave links.
- Suitable for complete OSRAM Easy colour control products

Communication interface	Easy IR remote control Easy push button coupler Easy COLOR CONTROL programming software kit
Driver used (included in the luminaire)	OSRAM OT EASY 60/220-240/24 RGB



H: Tender text

- Compact and reliable housing used for a while with HID lamps which allows also the instant replacement of classical fixtures by this high efficiency LED fixture.
- Easy to connect on electrical power connection with standard power cables.
- Excellent colour mixing due to an innovative LED positioning.
- Best suitable for non-DMX professionals with the large OSRAM EASY communication systems.