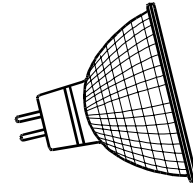
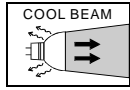


DECOSTAR 35S

Characteristics:



- Dichroic reflector reduces thermal radiation in the light beam by 66%
- Open operation permitted acc. to IEC 60598-1 due to integrated cover pane and low pressure technology.
- Meets the most stringent UV-protection thresholds (NIOSH)
Bleaching reduced
- GU-base for safer mechanical grip and easier replacement.
- Base GU 4
- Lamp life: 2000 h

Range:

Order code	Voltage	Wattage*	Beam angle**	Luminous intensity**	ILCOS-Bez.
44888 WFL	12V	10W	36°	300 cd	HRGS/UB 10-12-GU4-35/36
44890 SP	12V	20 W	10°	3200 cd	HRGS/UB 20-12-GU4-35/10
44890 WFL	"	"	36°	500 cd	HRGS/UB 20-12-GU4-35/36
44892 SP	12V	35W	10°	5000 cd	HRGS/UB 35-12-GU4-35/10
44892 WFL	"	"	36°	900 cd	HRGS/UB 35-12-GU4-35/36

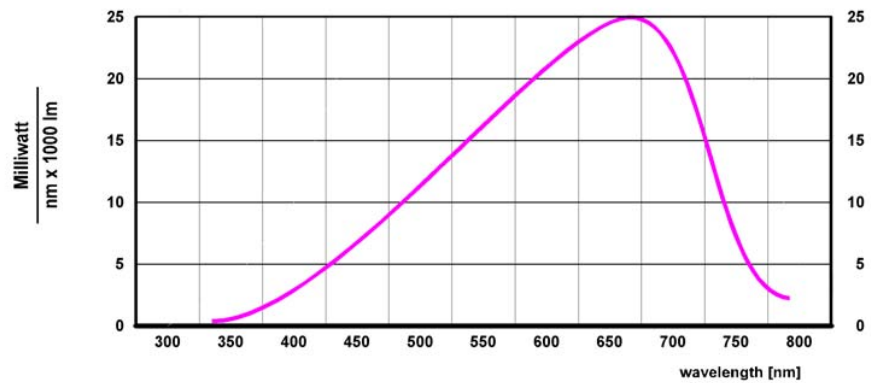
* Maximum permitted tolerance nominal value +8% acc. IEC 60357

**may vary according to tolerances specified in IEC 60357

Technical light data:

Maintenance Decrease of the axial luminous intensity < 20% at 75% of the nominal lamp life

**Spectral distribution
visible light:**



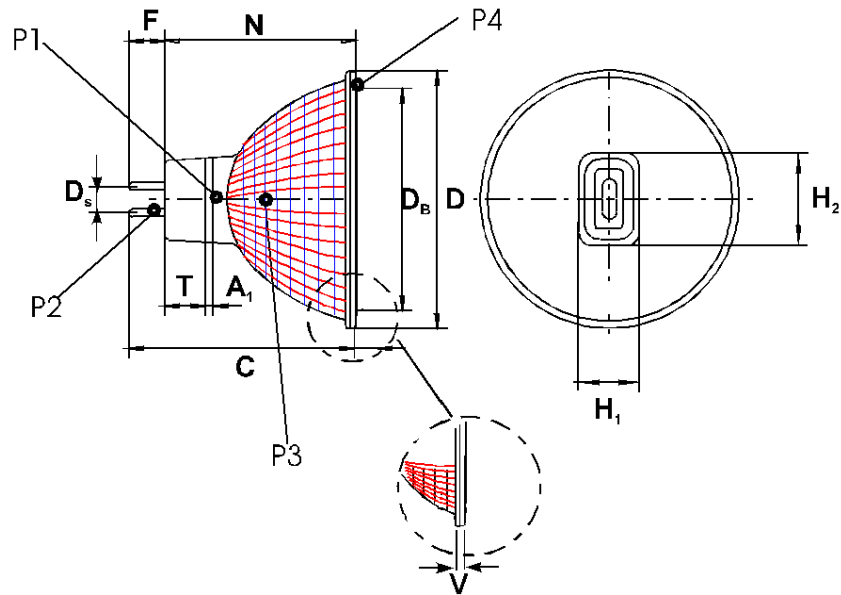
DECOSTAR 35S 12V/35W

UV-radiation The irradiance is clear below the NIOSH-threshold values for skin and eye.

Due to the integrated cover pan the bleaching is clear reduced (depending on radiated material).

Light distribution Available at www.myosram.com

Geometry:



Values in mm	Nomin.*	DECOSTAR 35/35S	Nomin. IEC-Norm*
Overall length	C	$N_{\max} + F_{\max}$	40 max
Reflector length	N	$29,0 \pm 0,3$	25,0 - 30,0
Reflector diameter	D	$34,7 + 0,6$	34,3 - 35,3
Reflector edge width	D _B	32 max.	33,5 max.
Reflector edge width	V	$1,8 \pm 0,2$	-
Collar nomin.	H ₁ x H ₂	11,8 max. x 16,6 max. distance 8,5 mm from collar end	See free space di- mensions IEC 60061
Position GU-groove	T	$4,0 \pm 0,2$	3,7 - 4,3
Depth GU-groove		$0,7 \pm 0,3$	0,4 min.
Width GU-groove	A ₁	$1,5 + 0,5$	1,5 min.
Pin length	F	7 ± 1	6,0 - 9,0
Pin distance	D _s (D in IEC61)	$4,0 \pm 0,1$	4
Diameter of pins		$1,0 \pm 0,05$	0,95 - 1,05

*Indication of dimensions acc. to IEC 60357, IEC 60061



Please note:

Dimensions and tolerances are subject to change within the IEC regulations! Not explicitly given dimensions cannot be evaluated by measuring lamp samples!

Temperature behaviour:

	Pinch	Pin	Reflector	Joint
Measurement point (see „Geometry“)	P1	P2	P3	P4
Burning position	Base up			
Max. temperatures permitted acc. to IEC	350°C	10W, 20W:220°C 35W: 250°C	-	220°C
Operating temperatures measured free burning	10W 140°C	75°C	100°C	110°C
	20W 180°C	85°C	120°C	130°C
	35W 290°C	110°C	160°C	180°C

Measurement conditions:

Measurement in the most unfavourable burning position for the pinch.
The burning position only has a minimum influence on the temperature of the top part of the reflector and on the joint
Surrounding temperature: 25° (acc. DIN 5032)
Voltage: 12,0V
Lamp holder: Bender & Wirth 994



Operating temperatures for free burning use are not obliging and are useful for orientation.

Operating conditions:

Burning positions	Any
Dimmability	100%
Areas of application	For outdoor applications and operation in damp locations special approved fixtures are required.
Near field	The lamps are not qualified for applications, whereat defined near field features are necessary.

Safety informations:



According to IEC 60598-1/DIN VDE 0711 "minimum security distance" the max. temperature permitted is 90°C. This max. temperature has to be ensured by the minimum distance. This distance has to be determined by appropriate measurements and specified on the luminaire.

When replacing conventional cold light reflector lamps without cover pane by Decostar 35S, temperature inside the lighting will rise. For this reason the suitability of the use of a luminaire with a lamp with cover pane must be secured (see use instructions of control gear)

Environment sensitifity:

DECOSTAR 35S can be disposed as household waste.
In the first few hours of operation what is left of humidity can be expelled from the glue
This has no influence to the lampe use.

Validity:

These technical information sheets (TI-sheets) are updated in irregular intervals. The user is responsible to ensure that the information they have is up to date and still valid. Once a new TI sheet has been issued, former editions are to be seen as invalid and disposed of.