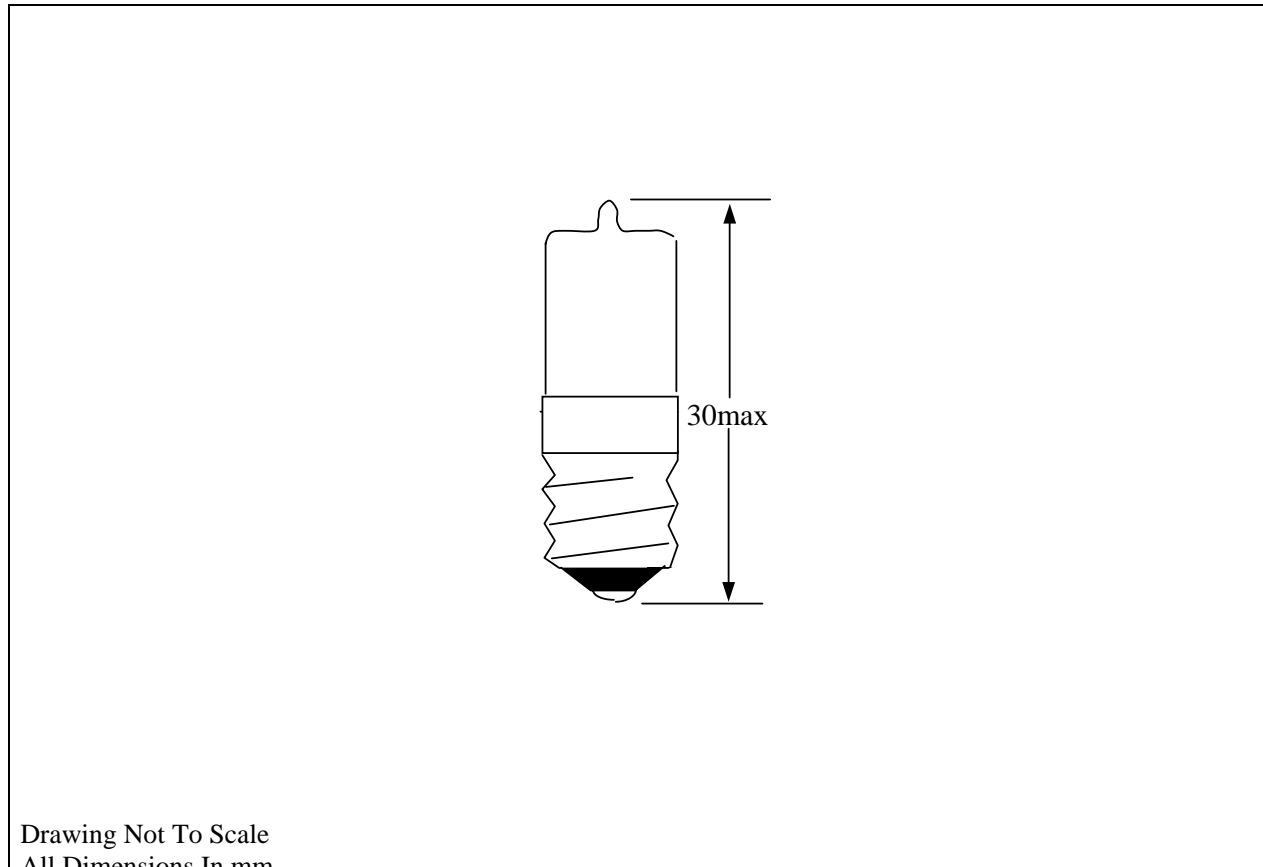


**PRODUCT
DATA SHEET**

Type	Size	Rating	Description	Part No.
Incandescent	T-3¼	See Table	MES Halogen lamp	1350XXXX



PHOTOMETRY DATA

PART No	VOLTS	CURRENT (A)	FILAMENT SHAPE
13502303	2.8	0.85	C-2R
13502703	4.0	0.85	C-2R
13502903	5.2	0.50	C-2R
13503103	5.2	0.85	C-2R
13503300	6.0	0.70	C-2R

NOTES:

- 1) Nickel plated screw cap, type E10/13 to BS EN60061-1, sheet 7004-22-6.

Issue No.	Date	C.N. No.	Drawn	Tech	QA
1	14/05/07		BCW		