

Product selected: Hi-Spot 80 50W/FL25°

Hi-Spot® 80 mains voltage halogen lamps with E27 cap and aluminium reflector are interchangeable with R95 incandescent reflector lamps. Upgrading to beautiful halogen light could not be quicker or easier.

Applications

- For use in mains voltage ES/E27 cap downlights, spotlights and luminaires
- For precision or decorative lighting in retail, commercial and domestic applications
- Suitable for outdoor use when protected from direct contact with water

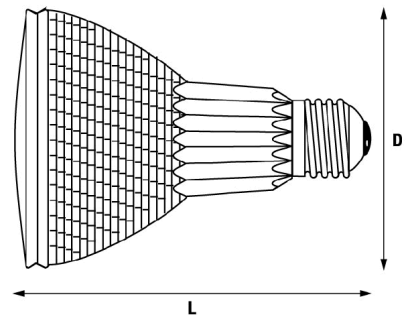
Features

- Halogen light without the need for a transformer
- Unique, patented, computer designed spiral faceted aluminised reflector
- Wattages 50W and 75W
- Beam angles 10° and 25°
- Excellent colour rendering
- Can be dimmed using standard dimmer switches
- The use of UV-Stop materials dramatically reduces UV emissions
- Average rated life: up to 3000 hours

Product Image



Line Drawing

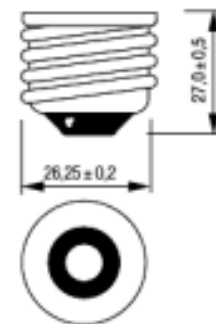


Product Attributes

Item description	Hi-Spot 80 50W/FL25°
Ordering Code	0021162
EAN code	5410288211626
Packing Quantity	15
Wattage (W)	50
Voltage (V)	240
Cap	E27
Max. Over. Length (mm)	108
Diameter (mm)	81
Colour Temp (K)	2900
Beam angle(°)	25
Peak intensity (CD)	1100
Average life (hours)	2500

Lamp Cap

E27/ES



UV Stop



Illuminance Diagram

Hi-Spot 80 / 50W

