

Product selected: Hi-Spot 63 50W/FL25°

Hi-Spot® 63 mains voltage halogen lamps with E27 cap are completely interchangeable with R63 incandescent reflector lamps. Upgrading to beautiful halogen light could not be quicker or easier.

Applications

- For use in mains voltage ES/E27 cap downlights, spotlights and luminaires
- For precision or decorative lighting in retail, commercial and domestic applications
- Suitable for outdoor use when protected from direct contact with water

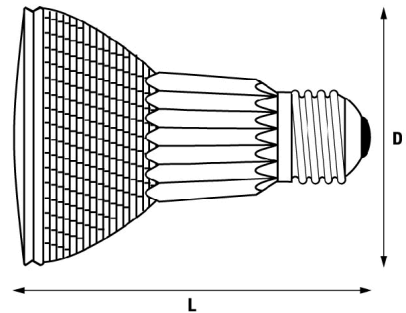
Features

- Halogen light without the need for a transformer
- Unique, patented, computer designed spiral faceted aluminised reflector
- Wattage 50W
- Beam angles 10° and 25°
- Excellent colour rendering
- Up to 2.5 times the life of incandescent lamp
- Can be dimmed using standard dimmer switches
- The use of UV-Stop materials dramatically reduces UV emissions
- Average rated life: 2500 hours

Product Image



Line Drawing



Product Attributes

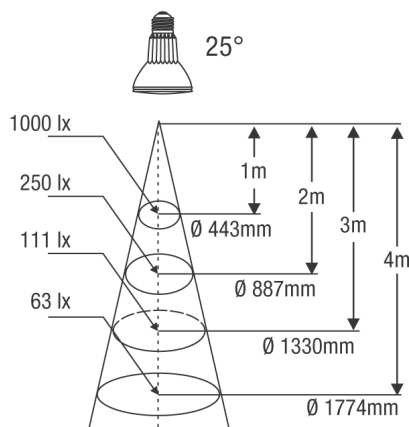
Item description	Hi-Spot 63 50W/FL25°
Ordering Code	0021128
EAN code	5410288211282
Packing Quantity	15
Wattage (W)	50
Voltage (V)	240
Cap	E27
Max. Over. Length (mm)	91
Diameter (mm)	65
Colour Temp (K)	2900
Beam angle(°)	25
Peak intensity (CD)	1000
Average life (hours)	2500

UV Stop



Illuminance Diagram

Hi-Spot 63 / 50W



Lamp Cap

E27/ES

