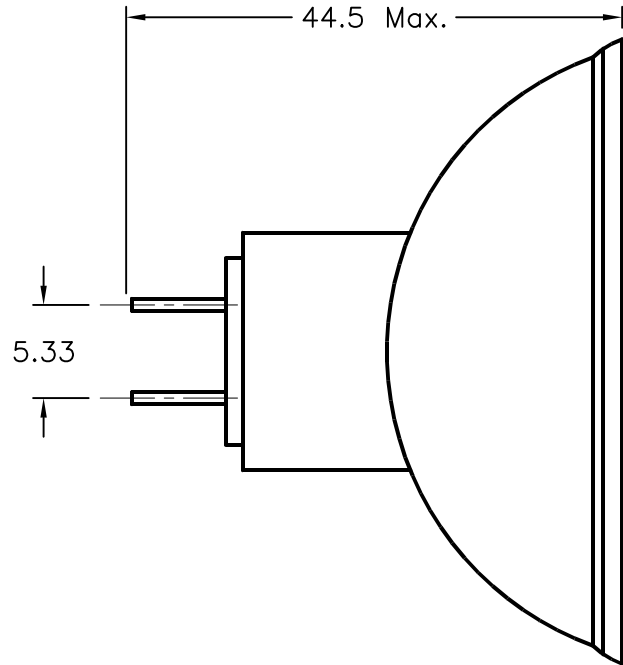
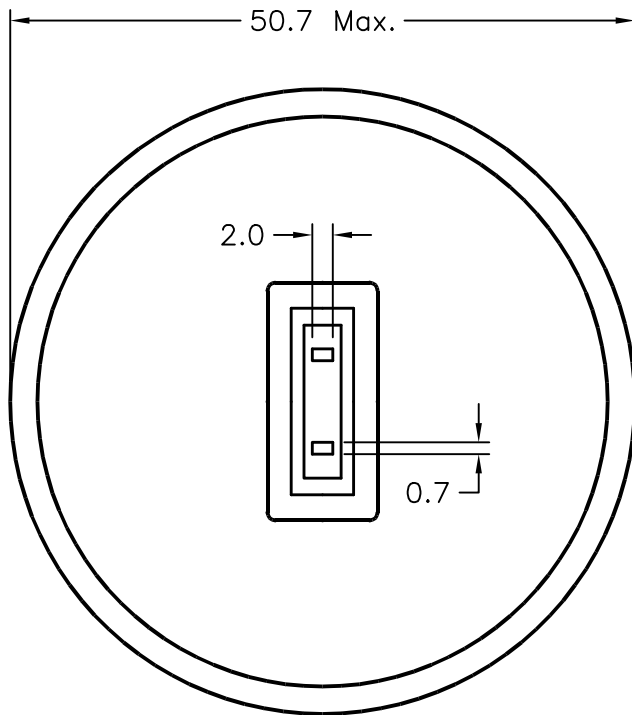


ALL RIGHTS RESERVED. NO PORTION OF THIS PUBLICATION, WHETHER IN WHOLE OR IN PART CAN BE REPRODUCED WITHOUT THE EXPRESS WRITTEN CONSENT OF SPC TECHNOLOGY.

REVISIONS			DOC. NO. SPC-F004 * Effective: 12/21/98 * DCP No: 680					
DCP #	REV	DESCRIPTION	DRAWN	DATE	CHECKD	DATE	APPRVD	DATE
948	A	RELEASED	HYO	4/25/01	JC	5/17/01	DJC	9/21/01



SPC Type No.	Watts	Avg. Life (Hours)	Volts (V)	Color Temperature (°K)	Filament
EVW	250	50	82	3300	CC-8
ENX	360	75			
FXL	410	50			
ENX-5	360	75	86		
ELH	300	35	120	3350	
ENH	250	175		3250	

SPC-F004.DWG

DISCLAIMER:
ALL STATEMENTS AND TECHNICAL INFORMATION CONTAINED HEREIN ARE BASED UPON INFORMATION AND/OR TESTS WE BELIEVE TO BE ACCURATE AND RELIABLE. SINCE CONDITIONS OF USE ARE BEYOND OUR CONTROL, THE USER SHALL DETERMINE THE SUITABILITY OF THE PRODUCT FOR THE INTENDED USE AND ASSUME ALL RISK AND LIABILITY WHATSOEVER IN CONNECTION THEREWITH.



SPC TECHNOLOGY

UNLESS OTHERWISE SPECIFIED, DIMENSIONS ARE FOR REFERENCE PURPOSES ONLY.

DRAWN BY:	DATE:
HISHAM ODISH	4/25/01
CHECKED BY:	DATE:
JOHN COLE	5/17/01
APPROVED BY:	DATE:
DANIEL CAREY	9/21/01

DRAWING TITLE:
DICHROIC REFLECTOR LAMP, GY5.3 BASE

SIZE	DWG. NO.	ELECTRONIC FILE	REV
A	TA-327	TA-327.DWG	A

SCALE: NTS	U.O.M.: MILLIMETERS	SHEET: 1 OF 1
------------	---------------------	---------------