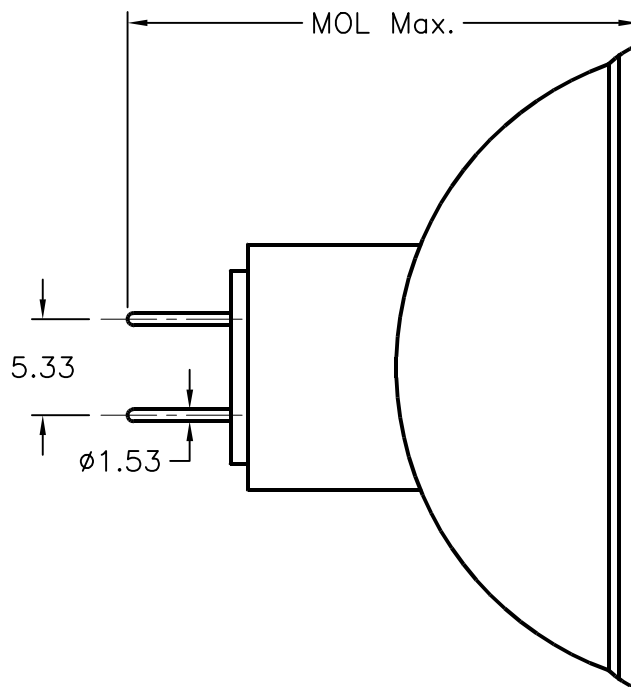
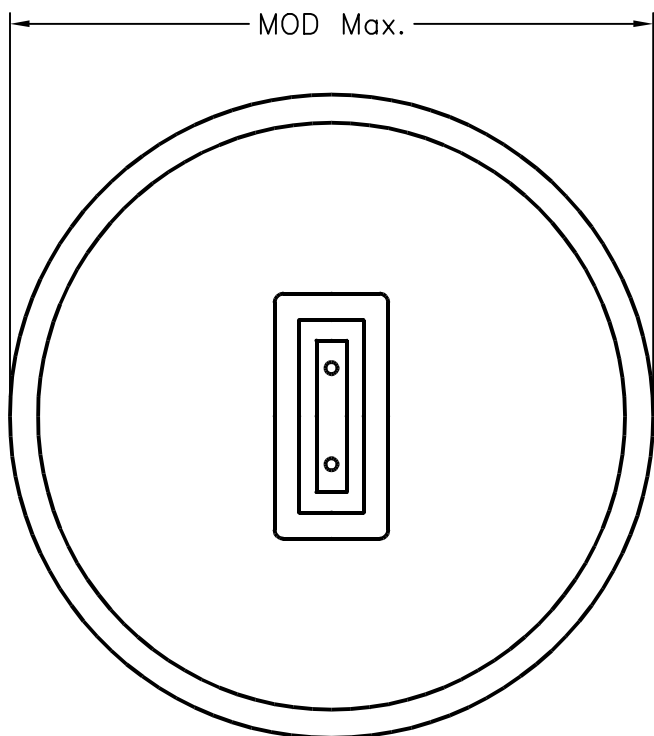


ALL RIGHTS RESERVED. NO PORTION OF THIS PUBLICATION, WHETHER IN WHOLE OR IN PART CAN BE REPRODUCED WITHOUT THE EXPRESS WRITTEN CONSENT OF SPC TECHNOLOGY.

REVISIONS			DOC. NO. SPC-F004 * Effective: 12/21/98 * DCP No: 680						
DCP #	REV	DESCRIPTION	DRAWN	DATE	CHECKD	DATE	APPRVD	DATE	
948	A	RELEASED	HYO	4/24/01	JC	5/17/01	DJC	8/9/01	



SPC Type No.	Volts (V)	Watts	MOD (mm)	MOL (mm)	Filament	Color Temperature (°K)	Avg. Life (Hours)	
EJY	19	80	50.5	44.5	CC-6	3400	25	
DDL	20	150	50.5			3150	500	
EJA	21	150	50.7	47		3350	40	
EKE	21	150	50.5	44.5		3250	200	
ELC	24	250	50.7			3400	50	
EXR	82	300	42.1			CC-8	3350	35
EXW	82	300	42.1				3400	15
EXY	82	250	42.1	3200			200	
FHS	82	300	42	3300	70			

SPC-F004.DWG

DISCLAIMER:
ALL STATEMENTS AND TECHNICAL INFORMATION CONTAINED HEREIN ARE BASED UPON INFORMATION AND/OR TESTS WE BELIEVE TO BE ACCURATE AND RELIABLE. SINCE CONDITIONS OF USE ARE BEYOND OUR CONTROL, THE USER SHALL DETERMINE THE SUITABILITY OF THE PRODUCT FOR THE INTENDED USE AND ASSUME ALL RISK AND LIABILITY WHATSOEVER IN CONNECTION THEREWITH.



SPC TECHNOLOGY

UNLESS OTHERWISE SPECIFIED, DIMENSIONS ARE FOR REFERENCE PURPOSES ONLY.

DRAWN BY:	DATE:
HISHAM ODISH	4/24/01
CHECKED BY:	DATE:
JOHN COLE	5/17/01
APPROVED BY:	DATE:
DANIEL CAREY	8/9/01

DRAWING TITLE:
DICHROIC REFLECTOR, GX5.3 BASE LAMP

SIZE	DWG. NO.	ELECTRONIC FILE	REV
A	TA-326	TA-326.DWG	A
SCALE:	U.O.M.:	SHEET:	
NTS	MILLIMETERS	1 OF 1	