



ALL RIGHTS RESERVED. NO PORTION OF THIS PUBLICATION, WHETHER IN WHOLE OR IN PART, CAN BE REPRODUCED WITHOUT THE EXPRESS WRITTEN CONSENT OF SPC TECHNOLOGY.

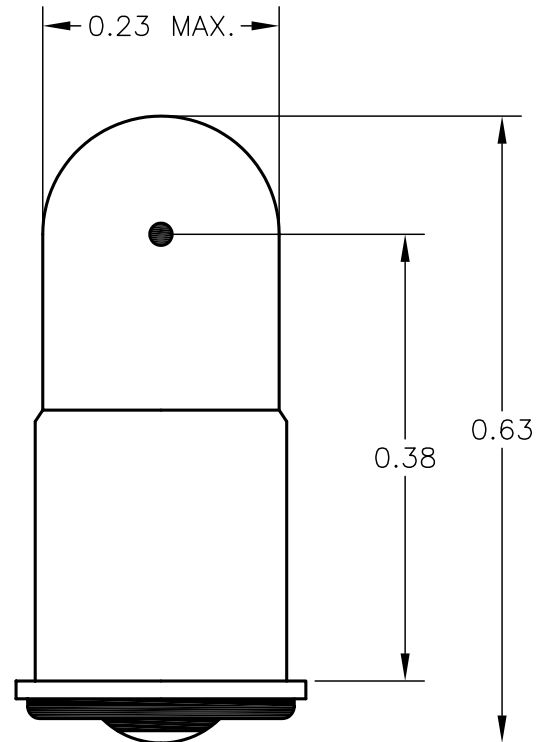
SPC-F005.DWG

REVISIONS

DOC. NO. SPC-F005 * Effective: 7/8/02 * DCP No: 1398

DCP #	REV	DESCRIPTION	DRAWN	DATE	CHECKD	DATE	APPRVD	DATE
948	C	CHG. TO TABULAR. WAS IN 73**, 3**	HYO	6/2/00	JC	11/22/00	JC	11/22/00
1575	D	Updated, items removed	JWM	11/17/03	JC	11/17/03	JC	11/17/03

SPC TYPE NO.	VOLTS	AMPS	WATTS	MSCP	FILAMENT	LIFE (HOURS)
327	28	0.04	1.12	0.34	C-2F	4000
330	14	0.08	1.12	0.5		1500
344	10	0.014	0.14	N/A		50000
370	18	0.04	0.72	0.15		10000
376	28	0.06	1.68	0.34		25000
381	6.3	0.2	1.26	0.4		20000
382	14	0.08	1.12	0.3		15000
385	28	0.04	1.12	0.15		10000
387	28	0.04	1.12	0.3		7000
394	12	0.04	0.48	0.12		10000
7341	28	0.065	1.82	0.65		5000
328	6	0.2	1.2	0.34	C-2R	1000
338	2.7	0.06	0.162	0.04		6000
349	6.3	0.2	1.26	0.55		5000
7333	5	0.06	0.3	0.05		25000
7335	5	0.115	0.575	0.15		40000
345	6	0.04	0.24	0.03	C-2V	10000



DISCLAIMER:
ALL STATEMENTS AND TECHNICAL INFORMATION CONTAINED HEREIN ARE BASED UPON INFORMATION AND/OR TESTS WE BELIEVE TO BE ACCURATE AND RELIABLE. SINCE CONDITIONS OF USE ARE BEYOND OUR CONTROL, THE USER SHALL DETERMINE THE SUITABILITY OF THE PRODUCT FOR THE INTENDED USE AND ASSUME ALL RISK AND LIABILITY WHATSOEVER IN CONNECTION THEREWITH.

TOLERANCES:
UNLESS OTHERWISE SPECIFIED, DIMENSIONS ARE FOR REFERENCE PURPOSES ONLY.

DRAWN BY:	DATE:
J.C.	11/23/92
CHECKED BY:	DATE:
J.P.	2/2/93
APPROVED BY:	DATE:
J.L.	2/6/93

DRAWING TITLE: T 1-3/4 SINGLE CONTACT MIDGET FLANGED			
SIZE	DWG. NO.	ELECTRONIC FILE	REV
A	TA-259	TA-259.DWG	D
SCALE: NTS	U.O.M.: INCHES	SHEET: 1 OF 1	