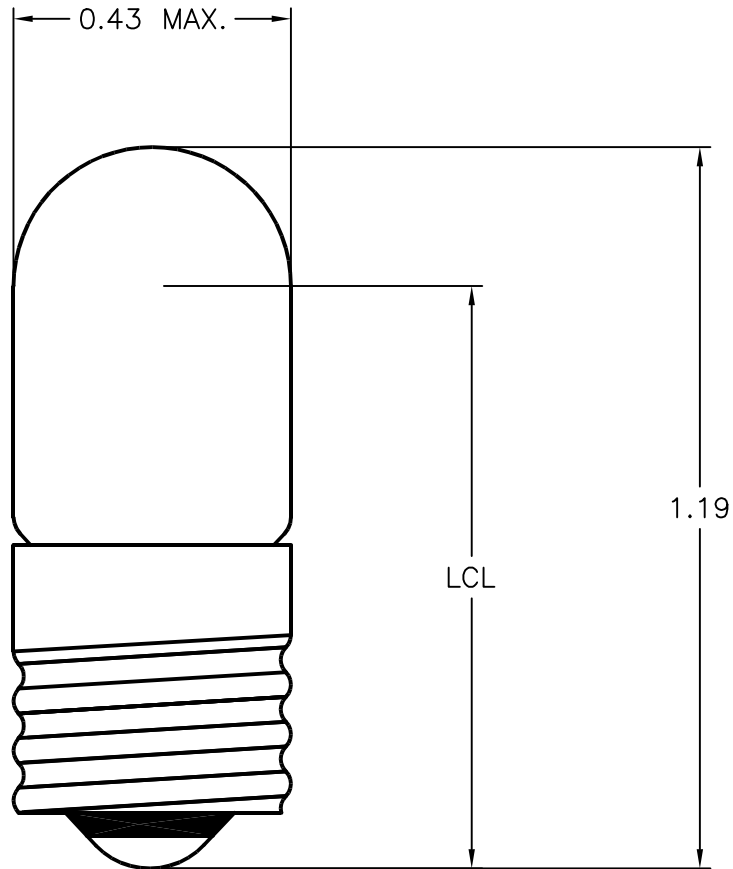


ALL RIGHTS RESERVED. NO PORTION OF THIS PUBLICATION, WHETHER IN WHOLE OR IN PART CAN BE REPRODUCED WITHOUT THE EXPRESS WRITTEN CONSENT OF SPC TECHNOLOGY.

REVISIONS			DOC. NO. SPC-F004 * Effective: 12/21/98 * DCP No: 680					
DCP #	REV	DESCRIPTION	DRAWN	DATE	CHECKD	DATE	APPRVD	DATE
948	B	CREATE TABULAR SPEC	HYO	5/31	JC	12/20/00	JC	12/20/00
1281	C	Correct Part No.	HYO	11/28/01	JC	11/28/01	JC	11/28/01



SPC TYPE NO.	VOLTAGE (VOLTS)	LAMP CURRENT (AMPS)	WATTAGE (W)	MSCP	FILAMENT	LCL	LIFE (HOURS)
40	6.3	0.15	0.945	0.5	C-2R	0.97	3000
46	6.3	0.25	1.575	0.9	C-2R	0.97	3000
48	2	0.06	0.12	0.04	S-2	N/A	1000
1487	14	0.2	2.8	1.4	C-2V	0.94	3000
1821	28	0.17	4.76	3.4	C-2F	0.81	500
1823 (LAMP)	48	0.1	4.8	3.2	C-2F	0.81	1000

SPC-F004.DWG

DISCLAIMER:
ALL STATEMENTS AND TECHNICAL INFORMATION CONTAINED HEREIN ARE BASED UPON INFORMATION AND/OR TESTS WE BELIEVE TO BE ACCURATE AND RELIABLE. SINCE CONDITIONS OF USE ARE BEYOND OUR CONTROL, THE USER SHALL DETERMINE THE SUITABILITY OF THE PRODUCT FOR THE INTENDED USE AND ASSUME ALL RISK AND LIABILITY WHATSOEVER IN CONNECTION THEREWITH.



SPC TECHNOLOGY

UNLESS OTHERWISE SPECIFIED, DIMENSIONS ARE FOR REFERENCE PURPOSES ONLY.	DRAWN BY:	DATE:	DRAWING TITLE:			
	JC	1/23/92	T 3-1/4 MINIATURE SCREW BASE LAMP			
	CHECKED BY:	DATE:	SIZE	DWG. NO.	ELECTRONIC FILE	REV
			A	TA-256	TA-256.DWG	C
	APPROVED BY:	DATE:	SCALE:	U.O.M.: INCHES	SHEET:	1 OF 1
			NTS			