

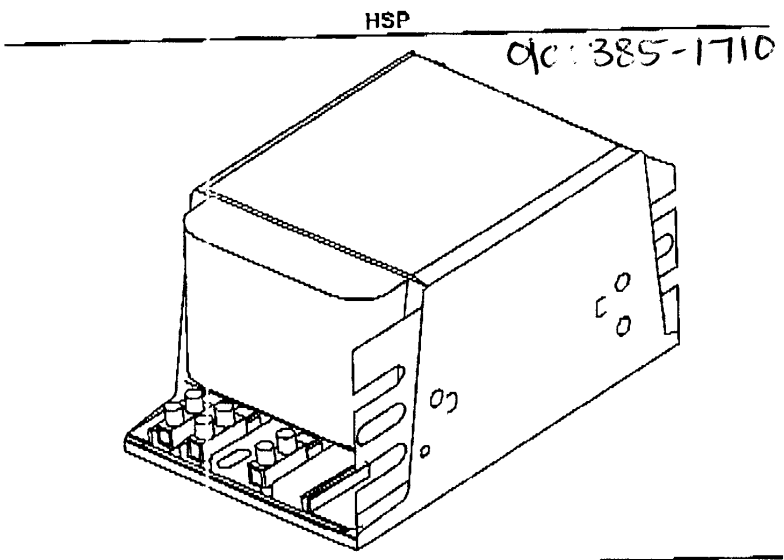
Re-setting Thermal Cut-out
Fitted For Protection

50 Hz
Reactor Ballast

HSP40223221

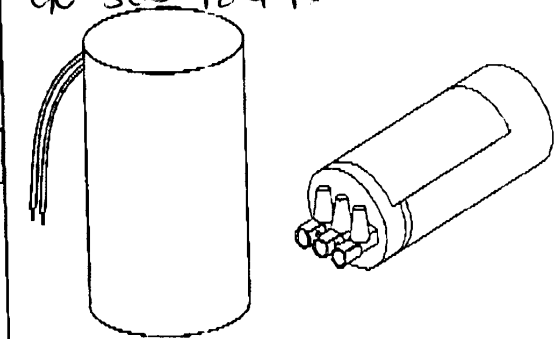
EN 10 EN 60922/923

| | | | |
|-----------------------------|--------|--------|--|
| Input Volts | 230 | 240 | |
| Line Current (Amps) | | | |
| Operating | 2.22 | 2.13 | |
| Open Circuit | 2.89 | 3.02 | |
| Starting | 4.44 | 4.25 | |
| Regulation | | | |
| Line Volts | ±6% | ±6% | |
| Lamp Watts | ±10% | ±10% | |
| Temperature Ratings | | | |
| tw (°C) | 130 | 130 | |
| Dt (°C) | 75 | 80 | |
| ta (°C) | - | - | |
| Input Watts | 445W | 445W | |
| NOM. Open Circuit Voltage | 230 | 240 | |
| Power Factor | 0.87 | 0.87 | |
| Current Crest Factor | < 1.6 | < 1.6 | |
| Min. Ambient Starting Temp. | -30°C | -30°C | |
| Recommended Fuse (Amps) | 15 | 15 | |
| Dimensions | | | |
| Length (mm) | 167 | 167 | |
| Width (mm) | 86.6 | 86.6 | |
| Height (mm) | 73 | 73 | |
| Weight (kg) | 4.7 | 4.7 | |
| Fixing Centres | 148 | 148 | |
| Capacitor Specifications | | | |
| Microfarads | 40.0µF | 40.0µF | |
| Volts (min.) | 250V | 250V | |



Capacitor: Ignitor:

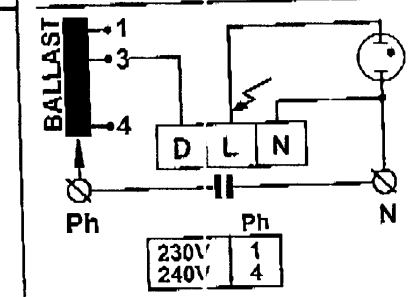
OC: 385-1849.



KPC400255 PAE400255 OC: 385-1758

| | | | |
|-------------------|-----------|-----------------|-------|
| Temp. Rating | -25/+85°C | Max Case Temp. | 105°C |
| Height (mm) | 100 | Internal Temp. | 30°C |
| Dia/Oval Dim (mm) | 50 | Max Capacitance | 100µF |

Circuit:



| | |
|------|---|
| 230V | 1 |
| 240V | 4 |

PAE400255

DATA
Data is based upon tests performed by Venture Lighting in a controlled environment and is representative of relative performance. Actual performance can vary depending on operating conditions. Specifications are subject to change without notice.