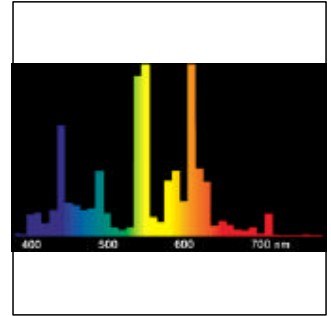
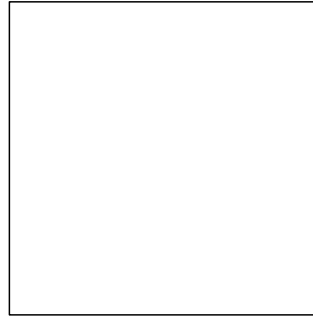
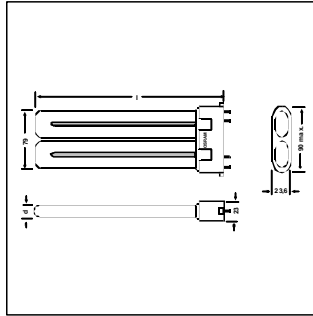


Compact fluorescent lamps without integrated control gear  
 OSRAM DULUX® F  
**DULUX F 18 W/21-840**



Reference :	DULUX F 18 W/21-840	Rated lamp wattage [W] :	18
Light colour :	LUMILUX® Cool White	Colour rendering group [ - ] :	1B
Luminous flux [lm] :	1100	Length I [mm] :	122
Length to IEC I max. / [mm] :	122	Tube diameter d [mm] :	17,5
Base :	2 G 10	Standard pack [pcs] :	10
EAN 40 50300 :	333526	Lamp voltage for 50/60 Hz [V] :	58
Lamp voltage for HF [V] :	50	Lamp current for 50/60 Hz [mA] :	375
Lamp current for HF [mA] :	320	Wattage with control gear CCG [W] :	24
Wattage with control gear HF [W] :	19	Reference ECG :	QT 1x18/230
Luminance [cd/cm2] LF 21, 31, 41 :	2,4	ILCOS :	FSS-18/40/1B-E-2 G 10

OSRAM DULUX® F compact fluorescent lamps fit in 2 M and 3 M luminaires.

OSRAM DULUX® F are new low-profile compact fluorescent lamps with high luminous efficacy. They are ideal for area lighting with 2 M and 3 M modular luminaires (200 and 300mm sides), e.g. for rectangular surface-mounted and recessed luminaires, low-profile wall and ceiling luminaires, downlights and uplights.

- High luminous efficacy: with QUICKTRONIC® the DF 36W has a 13% higher luminous flux than two OSRAM DULUX® L 18W lamps
- Compact dimensions: only about half as long as an OSRAM DULUX® L lamp of comparable output
- The DF 36W is easier to install and involves lower system costs than two OSRAM DULUX® L 18W lamps
- Can be used with the same HF control gear or conventional control gear as OSRAM DULUX® L lamps of comparable output
- 4-pin plug-in 2G10 base
- Average life of 10,000 hours with electronic control gear, or 8000 hours with conventional control gear

