

Big Eye[®] Professional Magnifier



52400

Shadow White (Light Grey)



52400-BG

Black & Gold Package

- ESD Safe
- **RoHS Compliant**
- Now offered with exclusive E-Z Swivel[®] for unlimited articulation
- Exclusive **Full Spectrum** Lighting for **Lead-Free** Soldering
- Shadowless 10" circline bulb for even light dispersion
- Excellent 7.5" Round, Crown White Optical Glass
- Ergonomic Design for Maximum Comfort, Safety and Productivity
- Rigid Assembly and Inspection Standards
- Exclusive 10 year Lifetime Warranty
- Optional **Anti-Reflective** Coating to Reduce Overhead Glare (add "-AR" to part number)
- 120 Volt UL / cUL; 230 Volt Available (CE)
- Many mounting styles to choose from (Table Clamp *shown above*, Screw Down, and Weighted Base)



O.C. White Co.
4226 Church St.
Thorndike, MA
01079

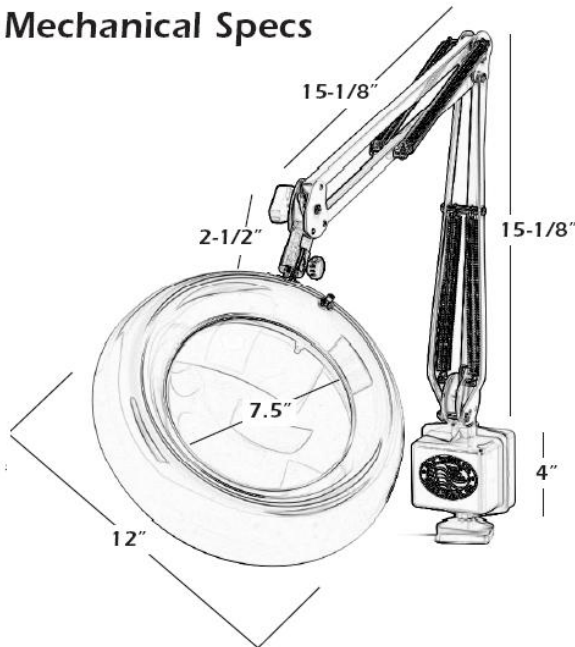
Contact Information
Sales: 413-289-1751
Tech: (888) OCWHITE
Fax: 413-289-1754
Email: info@ocwhite.com

WHITE LITES[®]
O.C. White Co.
Quality Since 1894

Technical Specifications

Power Requirement	120 volt (230 volt Available)
Color	Black, Black & Gold, Shadow White (Light Grey), or “Lead-Free” Green
RoHS Compliant	Yes
ESD Safe	Yes
Magnification	3 Diopter (1.75x); 4 Diopter Available (2x)
Warranty Period	10 Year Lifetime Mechanical; 1 Year Electrical
Approvals	UL / cUL & CE
Arm Reach	37” Overall Reach
Bulb Type	10” Full Spectrum Shadowless Circline Bulb
Color Temperature	5500° Kelvin Full Spectrum
Swivel Style	E-Z Swivel® for superior magnifier articulation
Replacement Bulb	Only use OC White p/n 13362 “Full Spectrum Big Eye® Bulb”
Rated Service Life	Bulb rated for 7,500 hours before replacement
Mounting	Table Clamp Base Assembly

Mechanical Specs



13362 Full Spectrum Big Eye® Bulb

O.C. White Co.
4226 Church St.
Thorndike, MA
01079

Contact Information
Sales: 413-289-1751
Tech: (888) OCWHITE
Fax: 413-289-1754
Email: info@ocwhite.com

