

Cleaning:

- > Disconnect the power and clean the exterior only of this fitting with a moist (not wet) cloth.
- > The diffuser may be removed and washed in a mild detergent solution. Make sure the diffuser is completely dry before putting it back on your light fitting.
- > Do not use any chemical or abrasive cleaners.

Lamp replacement:

- > Switch off the electricity at the mains.
- > Undo the two screws and remove the diffuser
- > Remove and replace lamp making sure it is of the same type and wattage as stated on the re lamping label.
- > Replace the diffuser and tighten the two screws. Ensure that the gasket is correctly fitting between the diffuser and the back.

Replacement lamp type:

Wattage: 100 W
Type: BC GLS

Eventually, you may want to replace this light fitting:

When your light fitting comes to the end of its life or you choose to update or upgrade it by replacing it, please do not dispose of it with your normal household waste, please recycle where facilities exist. When you need to dispose of this fitting, check with your retailer or local authority for suitable options. New regulations require the recycling of Waste from Electrical and Electronic Equipment (European "WEEE Directive" effective August 2005—UK WEEE Regulations effective 2nd January 2007).
Environment Agency Registered Producer: WEE/GA0248QZ



If you experience problems:

If your light is defective or develops a fault, please return it to the place where you bought it. You can call our Helpline for advice. The Helpline will gladly give advice on any aspect of any Eterna Lighting product but may not be able to give specific instructions regarding individual installations.

If in doubt, consult a qualified electrician.

Help line:

Tel: 01933 673 144 Fax: 01933 678 083 Email: sales@eterna-lighting.co.uk

For answers to frequently asked questions (FAQs) and other information visit our web-site

www.eterna-lighting.co.uk



IMPORTANT !

Safety and Installation instructions

Metal base bulkhead fitting

Model(s)
BHMB100/BHMB100R

Pack contents:

Bulkhead fitting	1
Rubber grommet	1
Fixing pack	1

**PLEASE READ THESE INSTRUCTIONS BEFORE
INSTALLING YOUR NEW FITTING**

PLEASE RETAIN FOR FUTURE REFERENCE

Read this first:

- > Check the pack and make sure you have all of the parts listed on the front of this booklet. If not, contact the outlet where you bought this product.
- > **This light fitting must be installed by a competent person in accordance with the Building Regulations** making reference to the current edition of the IEE Wiring Regulations (BS7671). The Building Regulations may be obtained from HMSO or viewed and downloaded from www.communities.gov.uk following the link for Building Regulations.
- > As the buyer, installer and/or user of this product it is your own responsibility to ensure that this fitting is fit for the purpose for which you have intended it. Eterna Lighting cannot accept any liability for loss, damage or premature failure resulting from inappropriate use.
- > If in any doubt, consult a qualified electrician.
- > Switch off the mains before commencing installation and remove the appropriate circuit fuse.
- > When working at heights, please use a suitable platform.
- > Suitable for indoor and outdoor use.
- > This product is suitable for installation on surfaces with normal flammability (indicated by the "F" in a triangle) e.g. wood, plasterboard, masonry. It is not suitable for use on highly flammable surfaces (e.g. polystyrene, textiles).
- > Before making fixing hole(s), check that there are no obstructions hidden beneath the mounting surface such as pipes or cables.
- > Do not attach to surfaces which are damp, freshly painted or otherwise electrically conductive (e.g. metallic surfaces).
- > If the location of your new fitting requires the provision of a new electrical supply, the supply must conform with the requirements of the Building Regulations making reference to the current edition of the IEE Wiring Regulations (BS7671).
- > The fitting may be installed vertically with the lampholder at the bottom or horizontally with the lampholder to one side. Do not install this fitting vertically with the lampholder at the top of the fitting.
- > This product is designed for permanent connection to fixed wiring: this should be either a suitable

lighting circuit (protected with a 5 or 6 Amp MCB or fuse) or a fused spur (with a 3 Amp fuse) via a fused connection unit. We recommend that the supply incorporates a switch for ease of operation.

- > Make connections to the electrical supply in accordance with the following code:
 - Live - Brown or Red
 - Neutral - Blue or Black
 - Earth - Green and Yellow
- > When making connections, ensure that the terminals are tightened securely and that no strands of wire protrude. Check that the terminals are tightened onto the bared conductors and not onto any insulation.
- > This product must be connected to Earth.
- > IMPORTANT— Always switch off at the socket and remove the plug before changing the lamp.
- > You are advised at every stage of your installation to double-check any electrical connections you have made. After you have completed your installation there are electrical tests that should be carried out: these tests are specified in the Wiring Regulations (BS7671) referred to in the Building Regulations. If in doubt, consult a qualified electrician.

Installation:

- 1) Undo the screws on the top of the fitting and remove the diffuser.
- 2) Using the fitting as a template, mark the location of the fixing holes.
- 3) Using a core drill sized appropriately to the gland or conduit fixing you are intending to fit, cut out one cable entry blank. Ensure that the hole is made cleanly and if necessary, clean the edges of the hole with a small file.
- 4) Fit the rubber grommet (supplied) into the hole and check that it is properly seated.
- 5) Pierce the rubber grommet to allow the cable to pass through. Make the hole as small as possible so that a good watertight seal is maintained when the cable is threaded through.
- 6) Secure the back of the fitting to the wall using either the fixings supplied or, if these are not appropriate to your installation, select suitable alternatives.
- 7) Thread the mains supply cable through the grommet and cover the cable with the heat resistant sleeving supplied. You may need to buy additional sleeving if you have mounted the fitting vertically and made the

cable entry at the top.

- 8) Make connections at the lampholder and the earth terminal. Ensure that connections are properly tightened and that no strands of wire protrude.
- 9) Insert a bulb observing the type and rating marked on the fitting (also on back page).
- 10) Replace the diffuser and tighten the two screws. Ensure that the gasket is located correctly between the diffuser and the back.
- 11) Restore the power and switch on.

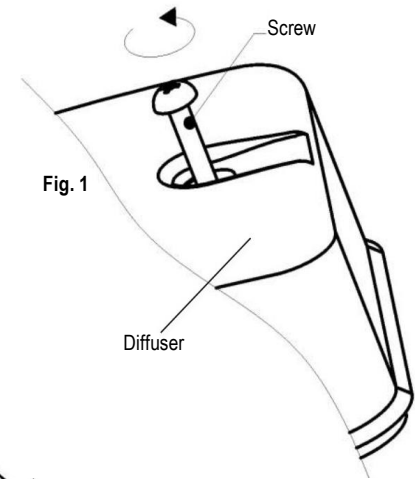


Fig. 1

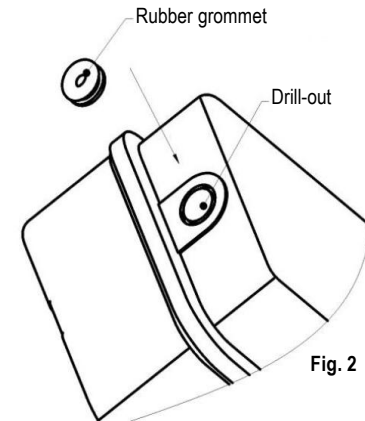


Fig. 2

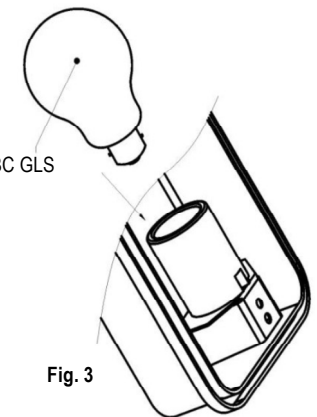


Fig. 3

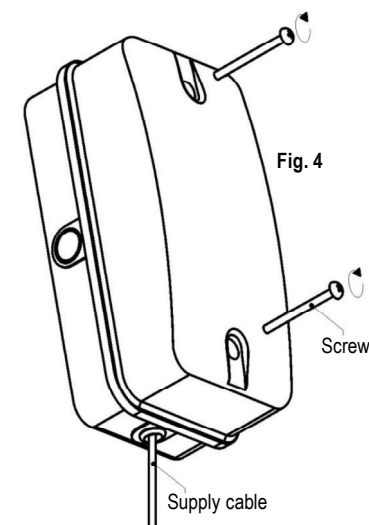


Fig. 4

Safety markings:

