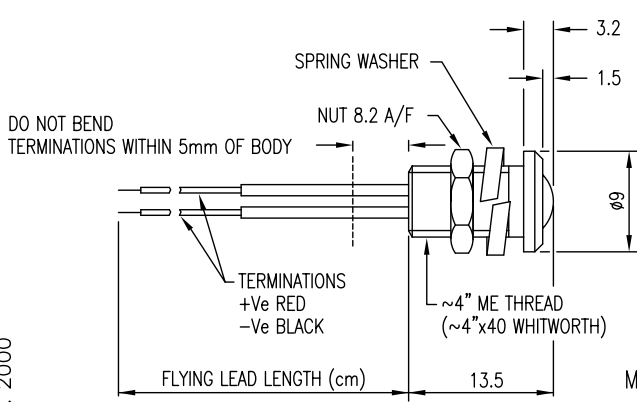


DRG No. CP32096	ISSUE 4	TYPE No. OXL/CLH/63/-/-/AC/-/-		DIM. IN: MILLIMETRES	ODC:QS:40077 ISSUE 2	THIS DRAWING AND THE COPYRIGHT AND DESIGN RIGHT THEREIN ARE THE PROPERTY OF OXLEY DEVELOPMENTS CO. Ltd. AND MUST NOT BE REPRODUCED OR DISCLOSED TO A THIRD PARTY WITHOUT PRIOR WRITTEN CONSENT OF THE COMPANY.	ISS 4	MODIFICATION CHANGE No. 03/09	DATE 13.02.03
--------------------	------------	-----------------------------------	--	-------------------------	-------------------------	--	----------	----------------------------------	------------------



ELECTRICAL / OPTICAL CHARACTERISTICS

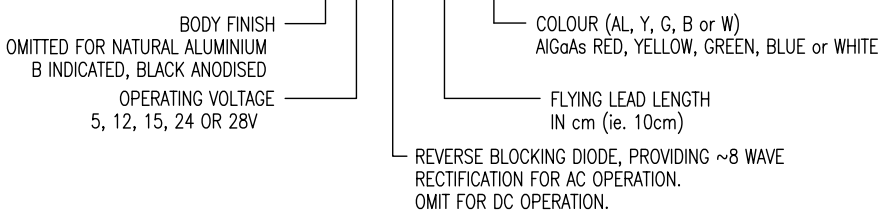
	AlGaAs RED		YELLOW		GREEN		BLUE		WHITE	
	DC	AC	DC	AC	DC	AC	DC	AC	DC	AC
LUMINOUS INTENSITY TYPICAL (mcd AT RATED VOLTAGE)	900	450	750	375	940	470	900	450	750	375
WAVELENGTH TYPICAL (nm)	637		585		525		470		N/A	
FORWARD CURRENT (mA) TYP	15		15		15		15		15	
REVERSE VOLTAGE (V) MAX	RATED VOLTAGE									

DESCRIPTION	MATERIAL
TERMINATIONS	FLYING LEADS : COLOUR RED AND BLACK WIRE INSULATION. LENGTH DEFINED IN PART No. (cm)
BODY & NUT	ALUMINIUM ALLOY - FINISH DEFINED IN PART No.
LENS	POLYCARBONATE
SPRING WASHER	SPRING STEEL, BRIGHT ZINC PLATED

MOUNTING DETAILS :
MOUNTING HOLE $\phi 6.35 \pm 0.2$
RECOMMENDED MOUNTING TORQUE 1Nm
CHASSIS THICKNESS 1 to 4mm

ORDERING INFORMATION :

WHEN ORDERING, STATE TYPE NUMBER, SPECIFYING BODY FINISH, OPERATING VOLTAGE, FLYING LEAD LENGTH AND LED COLOUR
e.g OXL/CLH/63/B/5/AC/FL10/G



MATERIAL	DRAWN <i>Simon Russam</i>
FINISH CLEAN	CHECKED T. DAVIS
PLATING	APPROVED DA00/255
TOLERANCE	DATE 23 AUG 00
REMARKS	
TITLE	INDICATOR LAMP

	Tel. 01229 582621 Fax. 01229 585090 E-mail: contact @OXLEY.Co.UK	OXLEY DEVELOPMENTS COMPANY LTD. Ulverston Cumbria LA12 9QG ENGLAND	SCALE 2 : 1	TYPE No. OXL/CLH/63/-/-/AC/-/-	DRG No. CP32096	ISSUE 4
--	--	---	----------------	-----------------------------------	--------------------	------------

© COPYRIGHT OXLEY DEVELOPMENTS Co. Ltd. 2000