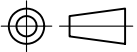
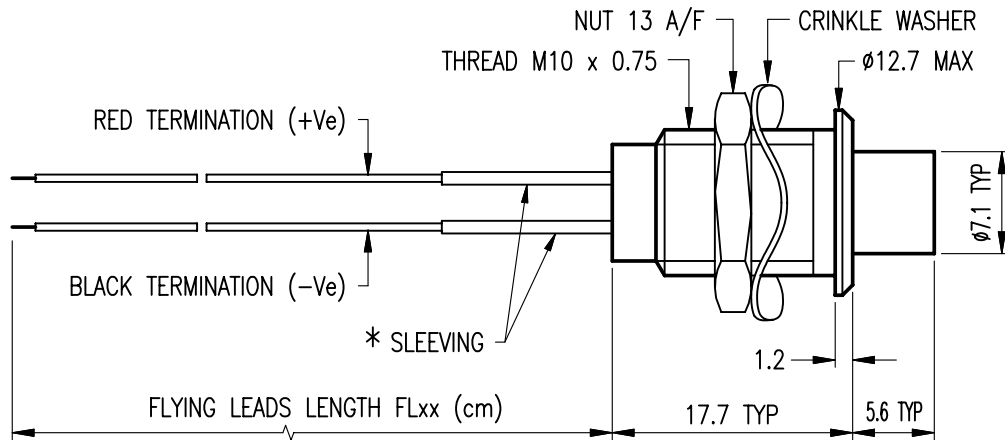


| | | | | | | | | | |
|---------------------------|-------------------|------------------------------------|---|-------------------------|---|--|-----|--------------|------|
| DRG No. CP32904 | ISSUE 1 | TYPE No. OXL/CLH/100/P/-/FLxx/- |  | DIM. IN: MILLIMETRES | ODC:QS:40077 ISSUE 1 DO NOT SCALE | THIS DRAWING AND THE COPYRIGHT AND DESIGN RIGHT THEREIN ARE THE PROPERTY OF OXLEY DEVELOPMENTS CO. Ltd. AND MUST NOT BE REPRODUCED OR DISCLOSED TO A THIRD PARTY WITHOUT PRIOR WRITTEN CONSENT OF THE COMPANY. | ISS | MODIFICATION | DATE |
|---------------------------|-------------------|------------------------------------|---|-------------------------|---|--|-----|--------------|------|



* FOR 110V : BLUE SLEEVING ON RED TERMINATION & BLACK SLEEVING ON BLACK TERMINATION
FOR 240V : BLACK SLEEVING ON BOTH TERMINATIONS

| MATERIALS AND FINISHES | |
|------------------------|-----------------------------------|
| DESCRIPTION | MATERIAL, FINISH |
| BODY | BRASS BS2874 CZ121. BLACK CHROMED |
| LENS | POLYCARBONATE |
| TERMINATIONS | FLYING LEADS |
| NUT | ALUMINIUM ALLOY |
| WASHER | BeCu. TIN PLATED |

OPERATING AND STORAGE TEMPERATURE : -40°C to 85°C

| ELECTRICAL CHARACTERISTICS | | | | | | | | | | |
|---|---------------|-----|--------|-----|-------|-----|------|-----|-------|-----|
| | AlGaAs RED | | YELLOW | | GREEN | | BLUE | | WHITE | |
| LUMINOUS INTENSITY TYPICAL (mcd AT RATED VOLTAGE) | 110 | 240 | 110 | 240 | 110 | 240 | 110 | 240 | 110 | 240 |
| FORWARD CURRENT (mA) TYP | 300 | 150 | 250 | 125 | 315 | 160 | 300 | 150 | 250 | 125 |
| REVERSE VOLTAGE (V) MAX | RATED VOLTAGE | | | | | | | | | |

| MOUNTING DETAILS |
|-----------------------------------|
| MOUNTING HOLE : ø10.15±0.1 |
| RECOMMENDED MOUNTING TORQUE : 1Nm |
| CHASSIS THICKNESS : 1.5mm (Min) |

| | |
|---|---------------------------|
| MATERIAL AS STATED | DRAWN <i>Simon Russam</i> |
| FINISH AS STATED | CHECKED T. DAVIS |
| PLATING AS STATED | APPROVED DA01/322 |
| TOLERANCE AS STATED | DATE 2 APR 01 |
| REMARKS | |
| TITLE WIDE ANGLE PROMINENT HIGH INTENSITY LED INDICATOR LAMP | |

WHEN ORDERING, PLEASE STATE TYPE NUMBER, SPECIFYING FLYING LEAD LENGTH, OPERATING VOLTAGE & LED COLOUR

e.g OXL/CLH/100/P/110/FL20/BUE
DENOTES PROMINENT LENS
OPERATING VOLTAGE REQUIRED (110Vac or 240Vac)
FLYING LEAD LENGTH IN cm
LED COLOUR REQUIRED (AlGaAs RED, YELLOW, GREEN, BLUE or WHITE)

| | | | | | | | |
|--|--|--|--|----------------|------------------------------------|---------------------------|-------------------|
|  | Tel. 01229 582621 Fax. 01229 585090 | OXLEY DEVELOPMENTS COMPANY LTD. | Ulverston Cumbria LA12 9QG ENGLAND | SCALE 2 : 1 | TYPE No. OXL/CLH/100/P/-/FLxx/- | DRG No. CP32904 | ISSUE 1 |
|--|--|--|--|----------------|------------------------------------|---------------------------|-------------------|