

# LED Indicators

## 3mm Prominent or Recessed

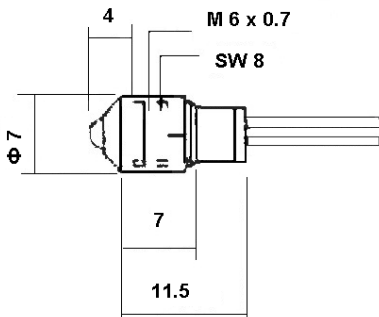


A range of panel mounting LED indicators in high quality bright chrome or black chrome plated brass housings. Fitted with fixing nut and washer.

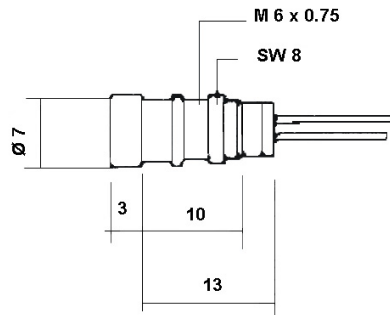
Bezel = 4 x 7 diameter (Prominent), 3 x 7 diameter (Recessed). Total L behind bezel = 11.5 (Prominent) 13.0 (Recessed).

Mounting hole diameter = 6. Shorter lead Cathode.

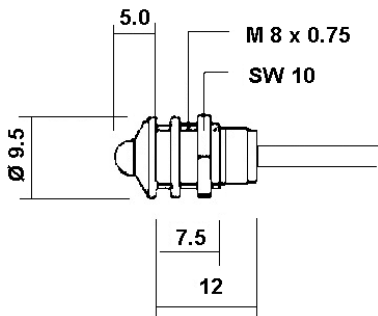
**Drawing Number - A**



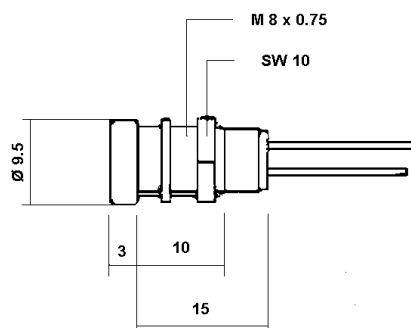
**Drawing Number - B**



**Drawing Number - C**



**Drawing Number - D**



# LED Indicators

## 3mm Prominent or Recessed



### Specifications

Colour	Typical Lumination Intensity (mcd) at $I_F = 20\text{mA}$	$V_F$ (typical) (V)	$I_F$ (maximum) (mA)	Refer Drawing	Part Number	
HE Red	17.5	2.0-2.6	45	A	MC19020003	
Green	27.0				MC19020001	
Yellow	32.0				MC19020002	
Pure Orange	17.5				30	MC19020008
Blue	5.0				3.8-4.4	50
HE Red	15.0	2.0-2.6	45	B	MC19030003	
Green	34.0				MC19030001	
Yellow	28.0				MC19030002	
Pure Orange	15.0				30	MC19030008
Blue	6.0				3.8-4.4	50
HE Red	17.5	2.0-2.6	45	A	MC19021003	
Green	27.0				MC19021001	
Yellow	32.0				MC19021002	
Pure Orange	17.5				30	MC19021008
Blue	5.0				3.8-4.4	50
HE Red	15.0	2.0-2.6	45	B	MC19031003	
Green	34.0				MC19031001	
Yellow	28.0				MC19031002	
Pure Orange	15.0				30	MC19031008
Blue	6.0				3.8-4.4	50

Bezel = 5.0 x 9.5 diameter (Prominent), 3.0 x 9.5 (Recessed). Total L behind bezel = 12.0 (Prominent), 15.0 (Recessed).

Mounting hole diameter = 8.0, Shorter lead cathode.



# LED Indicators

## 3mm Prominent or Recessed



### Specifications

Colour	Typical Lumination Intensity (mcd) at $I_F = 20\text{mA}$	$V_F$ (typical) (V)	$I_F$ (maximum) (mA)	Refer Drawing	Part Number
HE Red	20.0	2.0-2.6	45	C	MC19040003
Green	25.0				MC19040001
Yellow			MC19040002		
Pure Orange	20.0		30		MC19040008
Blue	6.0		50		MC19040007
HE Red	27.0	2.0-2.6	45	D	MC19050003
Green	30.0				MC19050001
Yellow	27.0		MC19050002		
Pure Orange			30		MC19050008
Blue	7.0		50		MC1905007
HE Red	20.0	2.0-2.6	45	C	MC19041003
Green	25.0				MC19041001
Yellow			MC19041002		
Pure Orange	20.0		30		MC19041008
Blue	6.0		50		MC19041007
HE Red	27.0	2.0-2.6	45	D	MC19051003
Green	30.0				MC19051001
Yellow	27.0		MC19051002		
Pure Orange			30		MC19051008
Blue	7.0		50		MC19051007

Operating temperature ( $T_{OP}$ ) : -55°C to +70°C.

Storage temperature ( $T_{STG}$ ) : -55°C to +100°C.

The Led indicator is available in bright or black chrome reflector. The 7<sup>th</sup> digit has to be coded with 0 or 1.

Bright chrome = 0

Black chrome = 1

Example : MC19020001 Green with bright chrome.

MC19021000 Green with black chrome.



# LED Indicators

## 3mm Prominent or Recessed



### Notes:

### International Sales Offices:

 <b>AUSTRALIA – Farnell InOne</b> Tel No: ++ 61 2 9645 8888 Fax No: ++ 61 2 9644 7898	 <b>FINLAND – Farnell InOne</b> Tel No: ++ 358 9 560 7780 Fax No: ++ 358 9 345 5411	 <b>NETHERLANDS – Farnell InOne</b> Tel No: ++ 31 30 241 7373 Fax No: ++ 31 30 241 7333	 <b>SWITZERLAND – Farnell InOne</b> Tel No: ++ 41 1 204 64 64 Fax No: ++ 41 1 204 64 54
 <b>AUSTRIA – Farnell InOne</b> Tel No: ++ 43 662 2180 680 Fax No: ++ 43 662 2180 670	 <b>FRANCE – Farnell InOne</b> Tel No: ++ 49 89 61 39 39 39 Fax No: ++ 33 474 68 99 90	 <b>NEW ZEALAND – Farnell InOne</b> Tel No: ++ 64 9 357 0646 Fax No: ++ 64 9 357 0656	 <b>UK – Farnell InOne</b> Tel No: ++ 44 8701 200 200 Fax No: ++ 44 8701 200 201
 <b>BELGIUM – Farnell InOne</b> Tel No: ++ 32 3 475 2810 Fax No: ++ 32 3 227 3648	 <b>GERMANY – Farnell InOne</b> Tel No: ++ 49 89 61 39 39 39 Fax No: ++ 49 89 613 59 01	 <b>NORWAY – Farnell InOne</b> Tel No: ++ 45 44 53 66 66 Fax No: ++ 45 44 53 66 02	 <b>UK – BuckHickman InOne</b> ++ 44 8450 510 150 ++ 44 8450 510 130
 <b>BRAZIL – Farnell-Newark InOne</b> Tel No: ++ 55 11 4066 9400 Fax No: ++ 55 11 4066 9410	 <b>HONG KONG – Farnell-Newark InOne</b> Tel No: ++ 852 2268 9888 Fax No: ++ 852 2268 9899	 <b>PORTUGAL – Farnell InOne</b> Tel No: ++ 34 93 475 8804 Fax No: ++ 34 93 474 5288	 <b>UK – CPC</b> ++ 44 8701 202 530 ++ 44 8701 202 531
 <b>CHINA – Farnell-Newark InOne</b> Tel No: ++86 10 6238 5152 Fax No: ++86 10 6238 5022	 <b>IRELAND – Farnell InOne</b> Tel No: ++ 353 1 830 9277 Fax No: ++ 353 1 830 9016	 <b>SINGAPORE – Farnell-Newark InOne</b> Tel No: ++ 65 6788 0200 Fax No: ++ 65 6788 0300	 <b>EXPORT – Farnell InOne</b> Tel No: ++ 44 8701 200 208 Fax No: ++ 44 8701 200 209
 <b>DENMARK – Farnell InOne</b> Tel No: ++ 45 44 53 66 44 Fax No: ++ 45 44 53 66 06	 <b>ITALY – Farnell InOne</b> Tel No: ++ 39 02 93 995 200 Fax No: ++ 39 02 93 995 300	 <b>SPAIN – Farnell InOne</b> Tel No: ++ 34 93 475 8805 Fax No: ++ 34 93 474 5107	
 <b>ESTONIA – Farnell InOne</b> Tel No: ++ 358 9 560 7780 Fax No: ++ 358 9 345 5411	 <b>MALAYSIA – Farnell-Newark InOne</b> Tel No: ++ 60 3 7873 8000 Fax No: ++ 60 3 7873 7000	 <b>SWEDEN – Farnell InOne</b> Tel No: ++ 46 8 730 50 00 Fax No: ++ 46 8 83 52 62	

For enquiries from all other markets

<http://www.farnellinone.com>

<http://www.buckhickmaninone.com>

<http://www.cpc.co.uk>

**Disclaimer** This data sheet and its contents (the "Information") belong to the Premier Farnell Group (the "Group") or are licensed to it. No licence is granted for the use of it other than for information purposes in connection with the products to which it relates. No licence of any intellectual property rights is granted. The Information is subject to change without notice and replaces all data sheets previously supplied. The Information supplied is believed to be accurate but the Group assumes no responsibility for its accuracy or completeness, any error in or omission from it or for any use made of it. Users of this data sheet should check for themselves the Information and the suitability of the products for their purpose and not make any assumptions based on information included or omitted. Liability for loss or damage resulting from any reliance on the Information or use of it (including liability resulting from negligence or where the Group was aware of the possibility of such loss or damage arising) is excluded. This will not operate to limit or restrict the Group's liability for death or personal injury resulting from its negligence. Multicomp is the registered trademark of the Group. © Premier Farnell plc 2004.

