

# Dialight

## 556 Series

### Class I, Div. 2 Panel Mount Indicators for 1" Mounting Hole Watertight - NEMA4X IP66



## FEATURES / BENEFITS

- ▲ Rated for use in Class I, Div. 2 hazardous locations
- ▲ Safety standards - UL and NEMA
- ▲ Tamperproof / Designed for high durability
- ▲ Long life, lasting up to 100k hours
- ▲ Uniform illumination - multi-LED construction
- ▲ Low profile flat lens or wide angle domed lens
- ▲ IP66 from front of panel

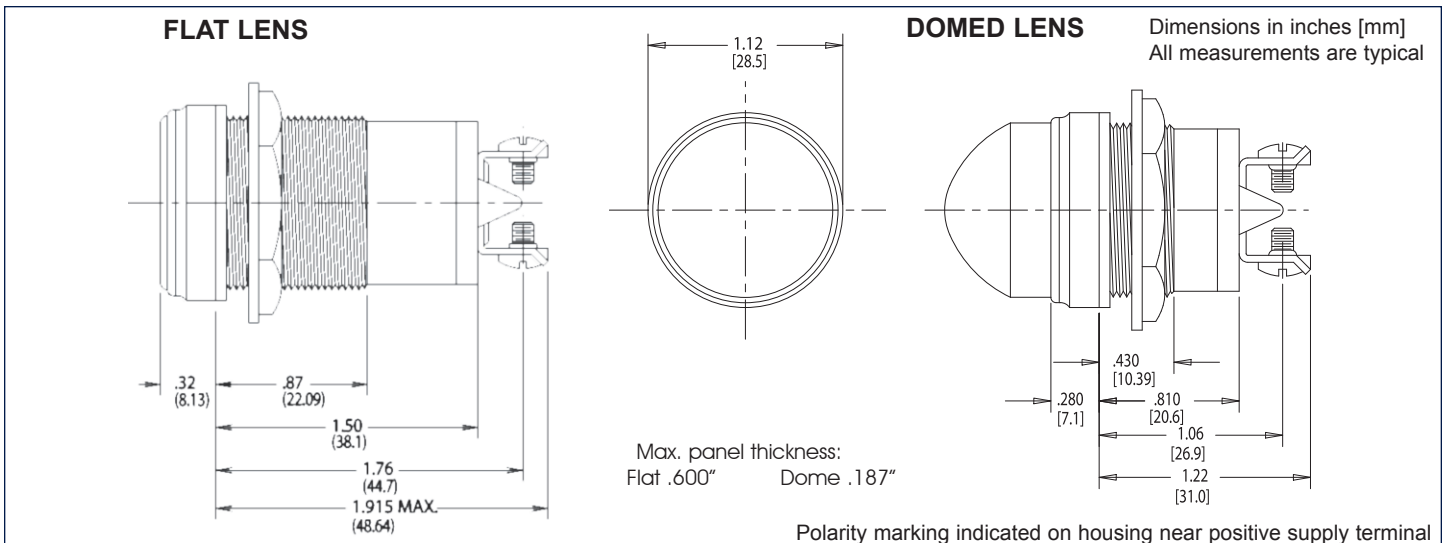
## APPLICATIONS

The 556 Series LED Panel Mount Indicators incorporate both InGaN and AlInGaP technologies to offer maximum light output. This is a highly durable package, designed to withstand outdoor applications susceptible to rain, dust and sunlight. In addition, the Class I, Division 2 rating allows for use in hazardous environments common to the oil and gas, mining, and chemical industries.

- Instrument panels
- Safety applications
- UL 508 panel applications
- Agricultural controls
- Power Generators
- Environmental Monitoring Equipment
- Mining equipment
- Oil Refineries
- Transportation - rail, bus, airline
- Petrochemical applications
- Pump system controllers
- ...And Many More

## SPECIFICATIONS

- ▲ Available in white, red, yellow, green, blue, orange and cyan
- ▲ Voltage range of 12 to 125 VDC, 125 and 230 VAC
- ▲ Watertight seal from front of panel meets NEMA 4X IP66
- ▲ Maximum Mounting Torque - 40 in./lb.
- ▲ Housing material: Nickel plated brass
- ▲ Recognized component for use in Class I, Division 2, Groups A,B,C,D Hazardous Locations
- ▲ UL recognized - File #E156890
- ▲ Front mounting in 1" clearance hole
- ▲ Operating temperature: -30°C to +85°C
- ▲ Storage temperature: -40°C to +100°C
- ▲ Lens material: Polycarbonate 94 -VO



Please see back of page for part numbers and additional specifications.



Part Number	Lens Style*	Color	Voltage	Voltage Type	Current (mA)	Typical Intensity (fL)
556-1003-324F	Flat	White	12	VDC	60	4000
556-1503-324F	Flat	Red	12	VDC	95	3000
556-1603-324F	Flat	Green	12	VDC	60	4000
556-1683-324F	Flat	Cyan	12	VDC	60	4000
556-1703-324F	Flat	Yellow	12	VDC	95	3000
556-1803-324F	Flat	Blue	12	VDC	60	1200
556-1903-324F	Flat	Orange	12	VDC	95	3000
556-1004-324F	Flat	White	24	VDC	32	4000
556-1504-324F	Flat	Red	24	VDC	46	3000
556-1604-324F	Flat	Green	24	VDC	32	4000
556-1684-324F	Flat	Cyan	24	VDC	32	4000
556-1704-324F	Flat	Yellow	24	VDC	46	3000
556-1804-324F	Flat	Blue	24	VDC	32	1200
556-1904-324F	Flat	Orange	24	VDC	46	1200
556-1508-324F	Flat	Red	37.5	VDC	20	2600
556-1608-324F	Flat	Green	37.5	VDC	16	4000
556-1708-324F	Flat	Yellow	37.5	VDC	20	2600
556-1506-324F	Flat	Red	72	VDC	18.5	1800
556-1606-324F	Flat	Green	72	VDC	16	1800
556-1706-324F	Flat	Yellow	72	VDC	20	1000
556-1806-324F	Flat	Blue	72	VDC	16	1200
556-1507-324F	Flat	Red	125	VDC	10	700
556-1607-324F	Flat	Green	125	VDC	10	1000
556-1707-324F	Flat	Yellow	125	VDC	10	7000
556-1005-324F	Flat	White	125	VAC	9	1800
556-1505-324F	Flat	Red	125	VAC	10.5	1200
556-1605-324F	Flat	Green	125	VAC	9.5	1800
556-1685-324F	Flat	Cyan	125	VAC	9.5	1800
556-1705-324F	Flat	Yellow	125	VAC	10.5	1200
556-1805-324F	Flat	Blue	125	VAC	9.5	500
556-1905-324F	Flat	Orange	125	VAC	10.5	500
556-1009-324F	Flat	White	230	VAC	7	1800
556-1509-324F	Flat	Red	230	VAC	7	1200
556-1609-324F	Flat	Green	230	VAC	7	1800
556-1709-324F	Flat	Yellow	230	VAC	7	1200
556-1809-324F	Flat	Blue	230	VAC	7	500
556-1909-324F	Flat	Orange	230	VAC	7	1800

\*For domed lens style: replace 4th digit with "3" for example 556-3503-324F

Other voltages are available. Please contact our factory for more information.



Dialight reserves the right to make changes at any time in order to supply the best product possible.

The most current version of this document will always be available at:

[www.dialight.com/Assets/Brochures\\_And\\_Catalogs/Indication/MDEL556CID2.pdf](http://www.dialight.com/Assets/Brochures_And_Catalogs/Indication/MDEL556CID2.pdf)

MDEL556CID2\_A