



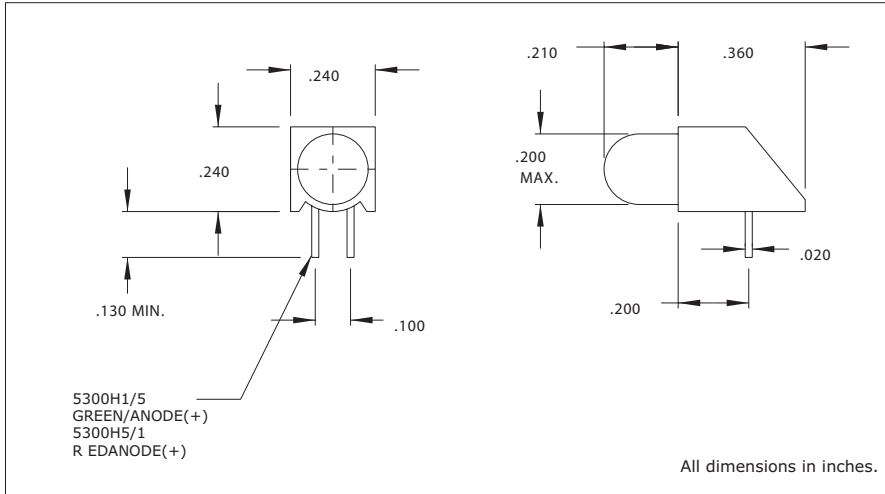
Chicago Miniature Lighting, LLC

Lighting the world since 1910

5300 Series T-1 3/4 Bicolor Right Angle LED Assembly

5300 Series T-1 3/4 Bicolor Right Angle LED Assembly

DESCRIPTION AND FEATURES



Features

- Bicolor LED, red and green chip within single lamp.
- High intensity light output.
- Standoff design prevents flux entrapment.
- Even alignment mounting saves assembly cost.

Housing: Black Nylon, UL94V-O

ELECTRO-OPTICAL CHARACTERISTICS AND RATINGS

Part Number	Color	Typ. Intensity (mcd)	Rated Current (mA)	Continuous Forward Current Max. (mA)	Forward Voltage Typ. (V)	Forward Voltage Max. (V)	Peak Forward Current @ 1ms-300pps (A)	Reverse Break-down Voltage Min. (V)	Peak Wavelength (nm)
5300H1/5	Red/Green	6.0	10	50	2.2	2.8	.06	3	650(R)/565(G)
5300H5/1	Green/Red	6.0	10	50	2.2	2.8	.06	3	565(G)/650(R)

147 Central Avenue
Hackensack, NJ 07601
Phone: (201) 489-8989
Fax: (201) 489-6911

18703 Dix Toledo Road
Brownstown, MI 48193

Saret Zone Franca, Edificio B
Alajuela Costa Rica

E-mail: sales@chml.com • Web Site: www.chml.com

Chicago Miniature Lighting, LLC reserves the right to make specification revisions that enhance the design and/or performance of the product