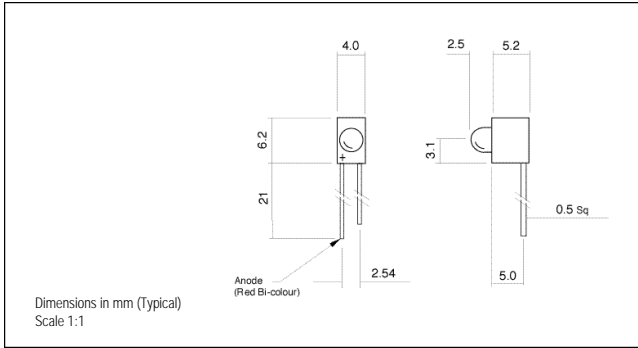


● PCB MOUNTING LEDs - Ø 3mm



- Industry standard device
- Low current versions included
- Other Bi-colour options available
- Reverse polarity options



103 SERIES

MLQ = 250

LEDs



Ordering Information & Typical Technical Characteristics (Ta = 25°C)

Mean Time Between Failure = 100,000 Hours. Low Current Models 250,000 Hours. Luminous intensity figures refer to the unmodified discrete LED.

PART NUMBER	COLOUR	LENS	VOLTAGE DC Vopr	CURRENT DC Iopr	LUMINOUS INTENSITY Iv@20mA	WAVE LENGTH p	VIEWING ANGLE	OPERATING TEMP Topr	STORAGE TEMP Tstg
<b>STANDARD INTENSITY</b>									
103-305-01	Red	Coloured Diffused	2.0	2	35	625	Wide	-40 ~ +85	-40 ~ +85
103-311-01	Yellow		2.1	2	20	590			
103-314-01	Green		2.2	2	20	565			
103-305-04	Red		2.0*	20	35	625			
103-311-04	Yellow		2.1*	20	20	590			
103-314-04	Green		2.2*	20	20	565			
103-330-04	Red/Green	White Diffused	2.0/2.2*	20	25/25	625/565			
103-381-20	Red	Coloured Diffused	5	10	35@10mA	625			
103-382-20	Yellow		5	10	20@10mA	590			
103-383-20	Green		5	10	20@10mA	565			
<b>UNITS</b>			<b>Vdc</b>	<b>mA</b>	<b>mcd</b>	<b>nm</b>		<b>°C</b>	<b>°C</b>

\* = Voltage DC for 20mA product is Vf@20mA, not Vopr

● LEAD CROPPING OPTION, SEE PAGE 23