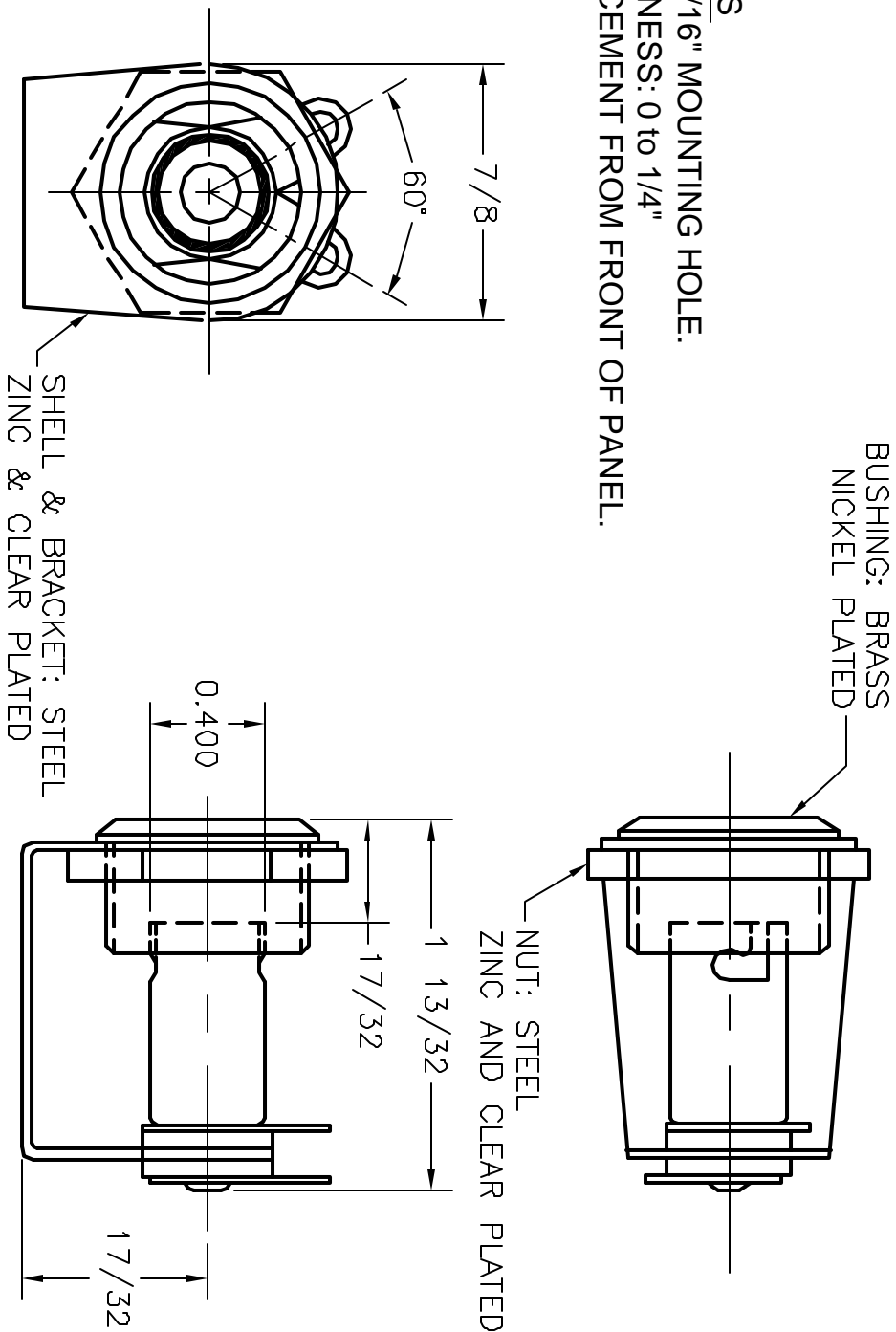


© COPYRIGHT 1998 BY SPC TECHNOLOGY. ALL RIGHTS RESERVED. NO PORTION OF THIS PUBLICATION, WHETHER IN WHOLE OR IN PART CAN BE REPRODUCED WITHOUT THE EXPRESS WRITTEN CONSENT OF SPC TECHNOLOGY.

REVISONS		DOC. NO.	SPC-F005, Total Pages: 2	
DCP #	REV	DESCRIPTION	DATE	DATE
1948	A	RELEASED	1/10/07	3/19/07

- SPECIFICATIONS**
1. REQUIRES 1/16" MOUNTING HOLE.
 2. PANEL THICKNESS: 0 to 1/4"
 3. LAMP REPLACEMENT FROM FRONT OF PANEL.



DISCLAIMER:
 ALL STATEMENTS AND TECHNICAL INFORMATION CONTAINED HEREIN ARE BASED UPON INFORMATION AND/OR TESTS WE BELIEVE TO BE ACCURATE AND RELIABLE. SINCE CONDITIONS OF USE ARE BEYOND OUR CONTROL, THE USER SHALL DETERMINE THE SUITABILITY OF THE PRODUCT FOR THE INTENDED USE AND ASSUME ALL RISK AND LIABILITY WHATSOEVER IN CONNECTION THEREWITH.



DRAWN BY: SAMI ALNADI		DATE: 1/10/07		DRAWING TITLE: T 3-1/4 MINIATURE BAYONET LAMPHOLDER	
CHECKED BY: JEFF MCVICHER		DATE: 3/19/07		SIZE DWG. NO. A SPC21782	
APPROVED BY: THOMAS LEE		DATE: 3/19/07		ELECTRONIC FILE 16M1273.DWG	
Tolerances Unless Otherwise Specified		Fractional ± 1/64		Angular ± 1°	
Decimal .XXX ± .005		SCALE: NTS		U.O.M.: INCHES [mm]	
SHEET: 1		OF 1		REV A	