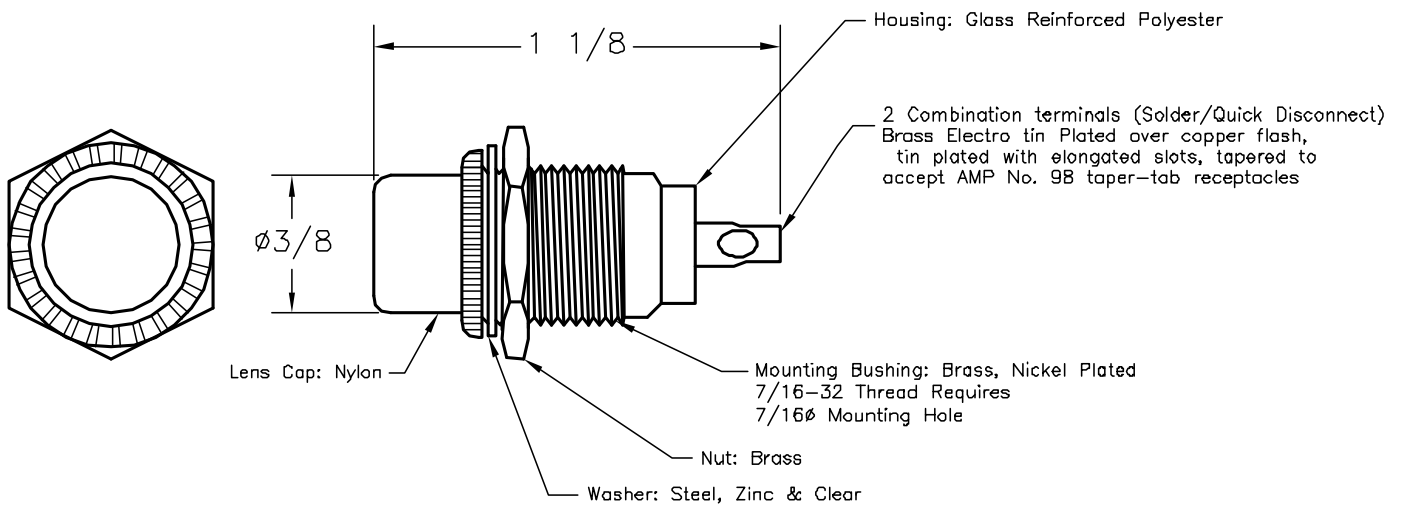


ALL RIGHTS RESERVED. NO PORTION OF THIS PUBLICATION, WHETHER IN WHOLE OR IN PART CAN BE REPRODUCED WITHOUT THE EXPRESS WRITTEN CONSENT OF SPC TECHNOLOGY.

REVISIONS			DOC. NO. SPC-F005 * Effective: 12/21/98 * DCP No: 680					
DCP #	REV	DESCRIPTION	DRAWN	DATE	CHECKD	DATE	APPRVD	DATE
1946	A	RELEASED	SA	1/10/07	JN	2/18/08	JN	2/18/08



NOTE:

1. COLOR: RED
2. NOTE: SUPPLIED WITH 28 VOLT LAMP, LOCKWASHER AND NUT ASSEMBLED.

<small>DISCLAIMER</small> ALL STATEMENTS AND TECHNICAL INFORMATION CONTAINED HEREIN ARE BASED UPON INFORMATION AND/OR TESTS WE BELIEVE TO BE ACCURATE AND RELIABLE. SINCE CONDITIONS OF USE ARE BEYOND OUR CONTROL, THE USER SHALL DETERMINE THE SUITABILITY OF THE PRODUCT FOR THE INTENDED USE AND ASSUME ALL RISK AND LIABILITY WHATSOEVER IN CONNECTION THEREWITH.				
TOLERANCES UNLESS OTHERWISE SPECIFIED Fractional ± 1/64 Decimal .XX ± .10 .XXX ± .005	DRAWN BY: SAMI ALNADI	DATE: 1/10/07	DRAWING TITLE: T 1-3/4 OR G2 SUBMINIATURE MIDGET SCREW BASE LAMPHOLDER	
	CHECKED BY: Jason Nash	DATE: 2/18/08	SIZE DWG. NO. A SPC21775	
	APPROVED BY: Jason Nash	DATE: 2/18/08	ELECTRONIC FILE 16M1266.dwg	REV A
	SCALE: NTS		U.O.M.: INCHES	SHEET: 1 OF 1

SPC-F005.DWG