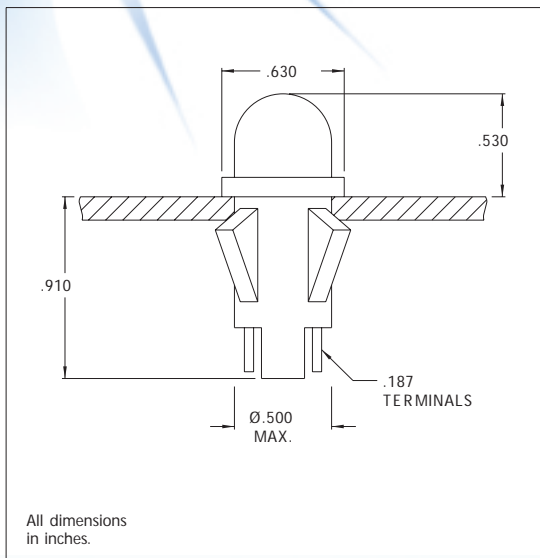


**1090QA Series Non-Relampable Neon Indicator Lights**

**DESCRIPTION AND FEATURES**



Mounting: Will snap-fit into Ø.500/.505 hole in panels .020/.100 thick. Push-on speednut SN0461 also available.  
 Mounting hole pattern on page SP2.

Terminals: Quick-connect, tinned brass

Lens: Polycarbonate

Bezel: Polished stainless steel.  
 For black finish add "X" after the series letter(s).

Housing: White Nylon

Lens Color	Incandescent	
	Model No. (12V)	Model No. (28V)
Red	1090QA1-12V	1090QA1-28V
Amber	1090QA3-12V	1090QA3-28V
White	1090QA4-12V	1090QA4-28V
Green	1090QA5-12V	1090QA5-28V
Blue	1090QA6-12V	1090QA6-28V
Lamp used	#2162	#2187

Underwriters Laboratories (UL) File No. E20325  
 Canadian Standards Association (CSA) File No. LR13346