

# TOSHIBA

## Fiber-Optic Devices (TOSLINK™)

### Optical Modules (Simplex Type) for Digital Audio Application (Production in Thailand)

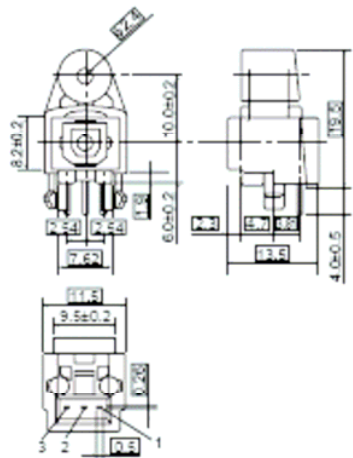
Transmitting Module	Receiving Module	Data Rate (b/s, NRZ)	Transmission Distance (m) <sup>(1)</sup> max	Emission Wavelength (nm)	Puls Width Distortion (ns) <sup>(1)</sup>	Power Supply Voltage (V)	Operating Temperature (°C)	Appropriate Optical Fiber Cable (μm)	Appropriate Optical Fiber Cable with Fiber Optic Connectors <sup>*②</sup>	Package No.
TOTX178A (F,T)	TORX178B (F) *	0.1 M to 6 M	0.2 to 5	650	±30	5±0.25	-20 to 70	APF(980/1000)	RFA4011-□□□□	1
TOTX178S (F,T)	TORX178S (F) *	0.1 M to 6 M	0.2 to 5	650	±30	5±0.25	-20 to 70			2
TOTX179 (F,T)	TORX179 (F) *	0.1 M to 12.8 M	0.2 to 5	650	±25	5±0.25	-20 to 70			1
TOTX179P (F,T)	TORX179P (F) *	0.1 M to 12.8 M	0.2 to 5	650	±25	5±0.25	-20 to 70			3
TOTX179S (F,T)	TORX179S (F) *	0.1 M to 12.8 M	0.2 to 5	650	±25	5±0.25	-20 to 70			2
TOTX141 (F,T)	TORX141 (F) *	0.1 M to 15 M	0.2 to 10	650	±20	2.7 to 3.6	-20 to 70			1
TOTX141P (F,T)	TORX141P (F) *	0.1 M to 15 M	0.2 to 10	650	±20	2.7 to 3.6	-20 to 70			3
TOTX177 (F,T)	TORX177 (F,T)	0.1 M to 15 M	0.2 to 5	650	±15	5±0.25	-20 to 70			4
TOTX177L (F,T)	TORX177L (F,T)	0.1 M to 15 M	0.2 to 5	650	±15	5±0.25	-20 to 70			5
TOTX177PL (F,T)	TORX177PL (F,T)	0.1 M to 15 M	0.2 to 5	650	±15	5±0.25	-20 to 70			6
TOTX147 (F,T)	TORX147 (F,T)	0.1 M to 15 M	0.2 to 5	650	±15	2.7 to 3.6	-20 to 70			4
TOTX147L (F,T)	TORX147L (F,T)	0.1 M to 15 M	0.2 to 5	650	±15	2.7 to 3.6	-20 to 70			5
TOTX147PL (F,T)	TORX147PL (F,T)	0.1 M to 15 M	0.2 to 5	650	±15	2.7 to 3.6	-20 to 70			6

Notes: \* : Japan product

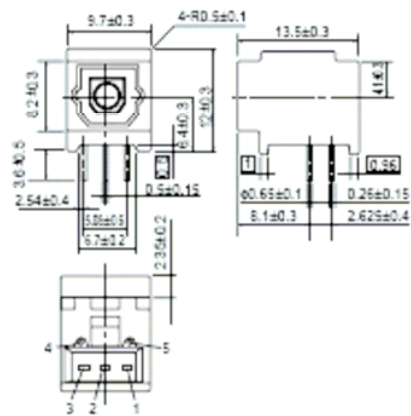
(1) Value for operation at Ta = 25°C, Vcc = 5.0 V or Vcc = 3.0 V

(2) Manufactured by Mitsubishi Rayon CO.,LTD

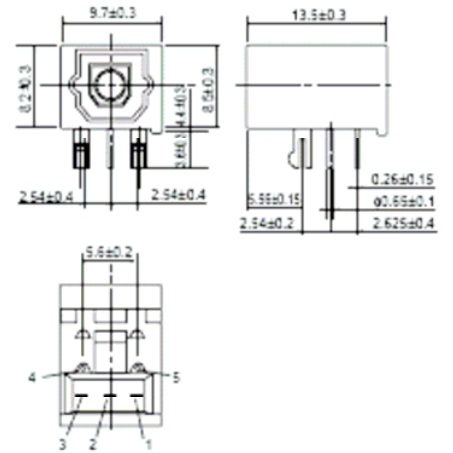
**Package No. 1**  
Standard Package  
for TOTX178/179/141, TORX178/179/141 Series



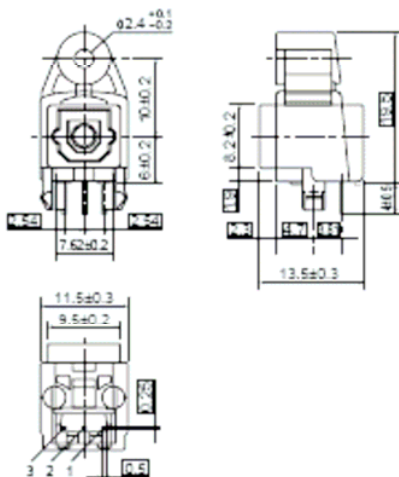
**Package No. 2**  
Middle Package  
for TOTX178S/179S, TORX178S/179S Series



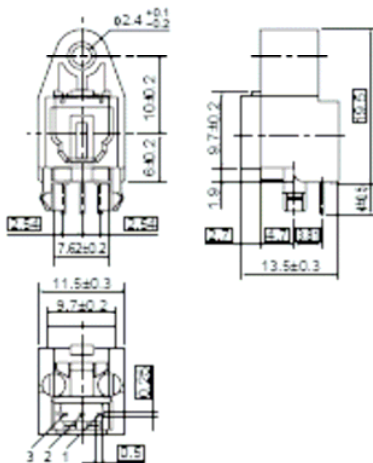
**Package No. 3**  
Mini Package  
for TOTX179PH/41P, TORX179PH/41P



**Package No. 4**  
Standard Package  
for TOTX177/147, TORX177/147 Series



**Package No. 5**  
Standard Package  
with Shutter for TOTX177L/147L, TORX177L/147L Series



**Package No. 6**  
Mini Package  
with Shutter for TOTX177PL/147PL, TORX177PL/147PL Series

