

Part Number: SA10-21GWA

GREEN

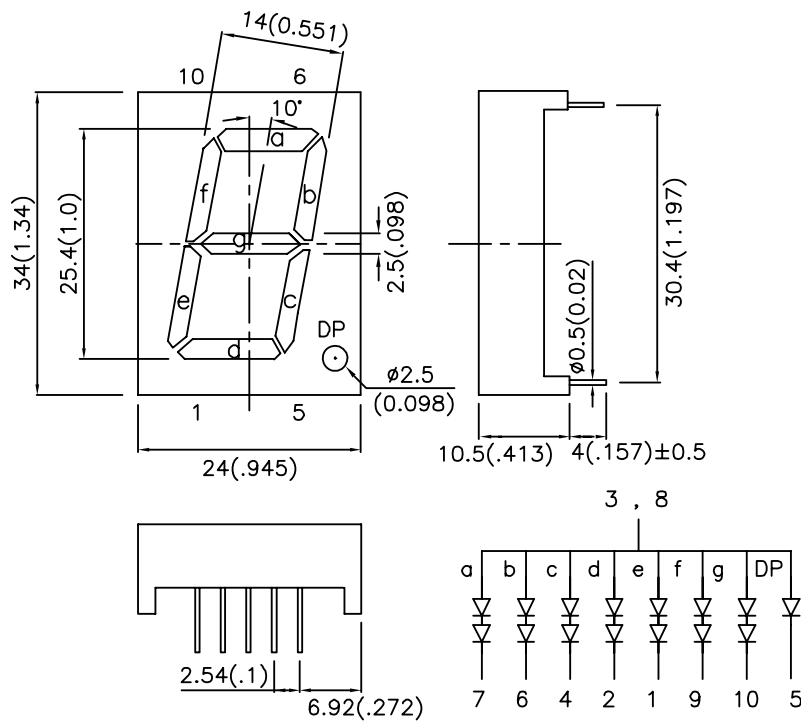
### Features

- 1.0 INCH DIGIT HEIGHT.
- LOW CURRENT OPERATION.
- EXCELLENT CHARACTER APPEARANCE.
- HIGH LIGHT OUTPUT.
- EASY MOUNTING ON P.C. BOARDS OR SOCKETS.
- I.C. COMPATIBLE.
- MECHANICALLY RUGGED.
- STANDARD : GRAY FACE, WHITE SEGMENT.
- RoHS COMPLIANT.

### Description

The Green source color devices are made with Gallium Phosphide Green Light Emitting Diode.

### Package Dimensions & Internal Circuit Diagram



#### Notes:

1. All dimensions are in millimeters (inches), Tolerance is  $\pm 0.25$  (0.01") unless otherwise noted.
2. Specifications are subject to change without notice.

## Selection Guide

Part No.	Dice	Lens Type	Iv (ucd) [1] @ 10mA		Description
			Min.	Typ.	
SA10-21GWA	GREEN (GaP)	WHITE DIFFUSED	4700	24000	Common Anode ,Rt. Hand Decimal.

Note:

1.Luminous Intensity/ Luminous Flux: +/-15%.

## Electrical / Optical Characteristics at TA=25°C

Symbol	Parameter	Device	Typ.	Max.	Units	Test Conditions
$\lambda_{peak}$	Peak Wavelength	Green	565		nm	IF=20mA
$\lambda_D$ [1]	Dominant Wavelength	Green	568		nm	IF=20mA
$\Delta\lambda_{1/2}$	Spectral Line Half-width	Green	30		nm	IF=20mA
C	Capacitance	Green	15		pF	VF=0V;f=1MHz
VF [2]	Forward Voltage per segment or (Dp)	Green	4.4 (2.2)	5.0 (2.5)	V	IF=20mA
IR	Reverse Current per segment or (Dp)	Green		10 (10)	uA	VR = 10V (VR = 5V)

Notes:

1.Wavelength: +/-1nm

2.Forward Voltage: +/-0.1V

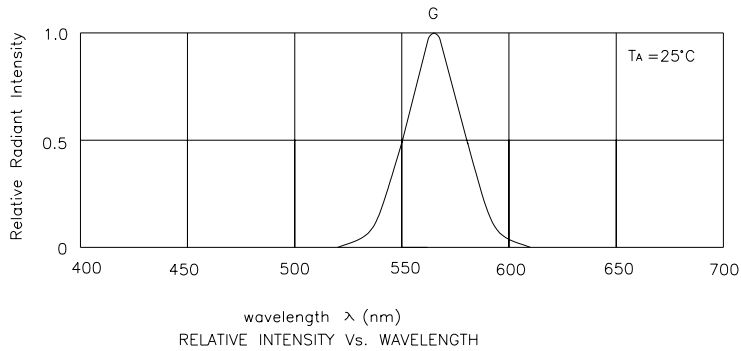
## Absolute Maximum Ratings at TA=25°C

Parameter	Green	Units
Power dissipation per segment or (Dp)	125(105)	mW
DC Forward Current per segment or (Dp)	25(25)	mA
Peak Forward Current [1] per segment or (Dp)	140(140)	mA
Reverse Voltage per segment or (Dp)	10(5)	V
Operating/Storage Temperature	-40°C To +85°C	
Lead Solder Temperature [2]	260°C For 3 Seconds	

Notes:

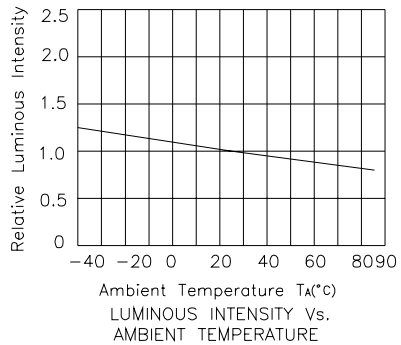
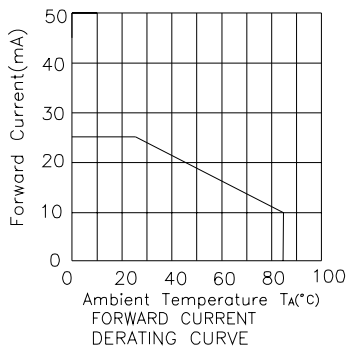
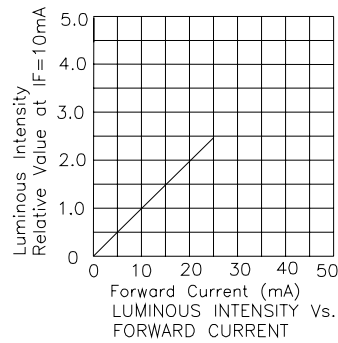
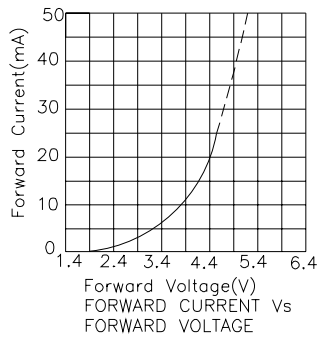
1. 1/10 Duty Cycle, 0.1ms Pulse Width.

2. 2mm below package base.



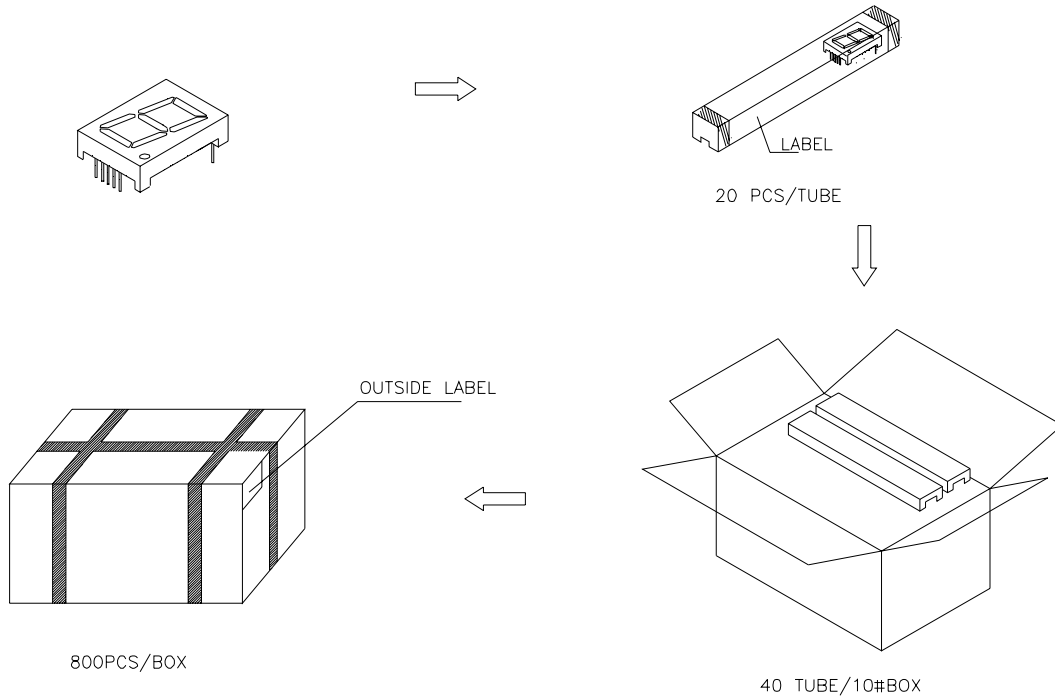
Green

SA10-21GWA

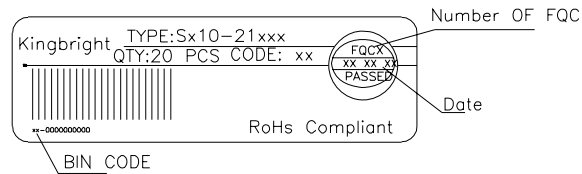


## PACKING & LABEL SPECIFICATIONS

## SA10-21GWA



Inside LABEL Paste On The IC-tube



Outside LABEL Paste On The Box

