

Features:

- High segment intensity
- Extra wide viewing angle - almost 180° 'actual' viewing
- Single or multiple digit modules by interlocking
- Lightweight - less than 0.5 kg

- Very thin in cross section - 15 mm depth
- Interlock dovetails have a light friction fit between units for ease of assembly
- Grey face colour, White segment colour
- Low power consumption
- Characters can be viewed from distances up to 150 metres

Font design

Product not shown
actual size



Electro/Optical Characteristics - I_F = 80 mA/segment 20 mA DP (*B05 & G05 I_F = 40 mA/segment 10 mA DP) T_a = 25° C

Part Number - Common Cathode		Part Number - Common Anode		Emitting Colour	Wavelength Peak λ _P	Forward Voltage V _F		Luminous Intensity I _V	
Farnell	Forge Europa	Farnell	Forge Europa			typical	max	min	typical
366-5320	FEM-7901R0300GW	366-5331	FEM-7902R0300GW	GaAlAs Red	660	10.50	12.50	-	144
366-5343	FEM-7901R0100GW	366-5355	FEM-7902R0100GW	GaAlAs Red	660	9.25	10.00	-	96
366-5367	FEM-7901G0100GW	366-5379	FEM-7902G0100GW	Green	568	10.50	12.50	-	48
366-5380	FEM-7901G0500GW	366-5392	FEM-7902G0500GW	* HE Green	518	16.50	18.50	-	144
366-5409	FEM-7901B0500GW	366-5410	FEM-7902B0500GW	* HE Blue	465	16.50	18.50	-	96
Units					nm	V		mcd per segment	

Maximum Ratings T_a = 25° C - Derate above 25° C

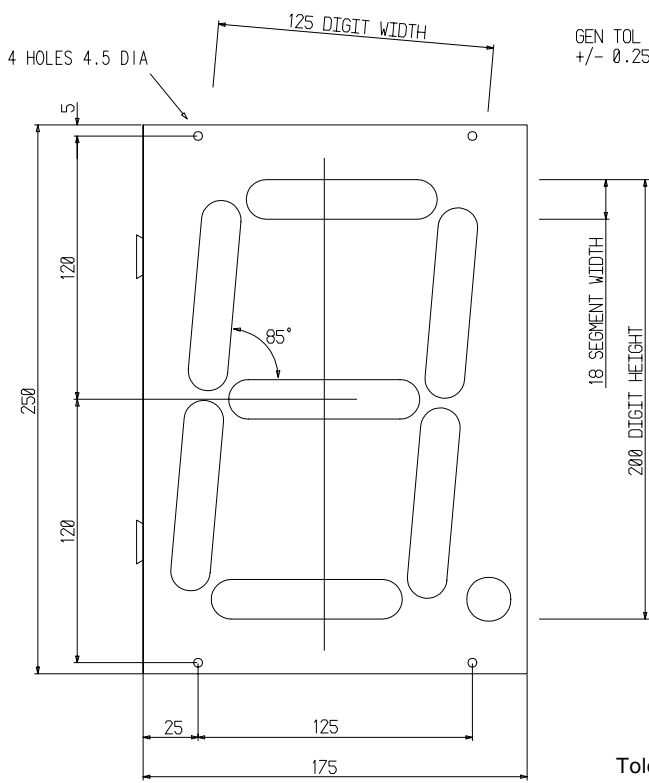
Characteristic	Condition	Symbol	Rating	Units
Pulse Forward Current	0.1 duty cycle @ 1KHz (B05 & G05)	I _{FP}	400 (140)	mA
DC Forward Current	(B05 & G05)	I _F	100 (60)	mA
Reverse Voltage	I _R = 100 μA	V _R	20	V
Power Dissipation		P _D	340	mW
Operating Temperature		T _{opr}	- 25 to + 80	° C
Storage Temperature		T _{stg}	- 30 to + 85	° C
Lead soldering temperature	1.6 mm from body - max 3 seconds		260	° C

Note

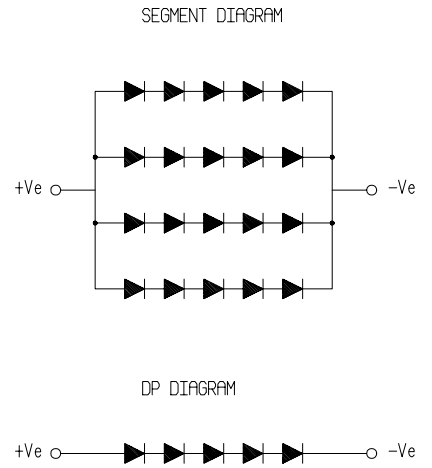
Industry standard procedures regarding static must be observed when handling product produced with blue and green (518nm) die material.



Package Outline and Diagram



Tolerance
± 0.25 mm unless stated



NOTE
EACH SEGMENT AND THE DP HAS
2 - 0.6 SQ TERMINALS (REAR CENTRE)