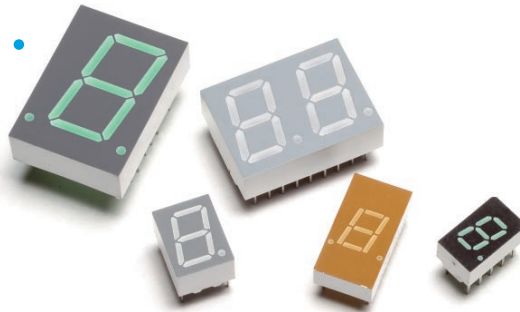


Agilent Seven-Segment Displays

Product Selection



Seven-segment Display Products

Agilent Technologies offers a full range of LED (Light Emitting Diode) display products that meet a variety of designer needs. The product offering of seven-segment displays ranges from low cost, standard brightness displays to high ambient light displays that produce up to 7.5 mcd per segment.

Dual and single digit displays are available in assorted character heights from 0.3 inch to 0.8 inch. Colors include AlGaAs red, red, orange, yellow and green, providing a solution for every display requirement. Micro bright displays feature small packages and high brightness. All devices are available as either common anode or common cathode for added design flexibility.

About the Products

Agilent's numeric seven-segment displays are ideal for instrumentation, industrial control, scales, point-of-sale terminals, gaming machines and appliance applications. These are high reliability products with consistent quality and low power consumption positioned to support high volume, cost effective solutions.

Seven-segment displays are divided into two platforms to address different market requirements in both industrial and consumer markets. Our displays for industrial applications support high performance requirements. Consumer applications are supported with displays for standard performance requirements.

Product Features and Benefits

- Semiconductor (LED) light source
 - Cost effective solutions
 - Flexibility for designers
 - Light weight
- Lower power consumption
 - Electrical power savings
 - Low heat generation
 - Low current devices available
- Mechanically rugged
 - No wire filaments
 - No moving parts
 - Not sensitive to mechanical shock and vibration
- Essentially monochromatic light
 - No color filter required
 - Maximum use of visible light
 - Easy for the eye to discern against distracting backgrounds in sunlight and adverse weather conditions

- High light output
- Industry standard size and pinout
- Categorized for luminous intensity (yellow and green categorized for color)

Industrial Applications: High Performance Seven-segment Display Package

Industrial grade products provide high peak current, automated IV/color binning and the availability of intensity and color selection. Ideal for high reliability applications such as temperature controllers, this package is extremely durable in high temperature environments with better heat dissipation through a mild steel leadframe.

Key benefits for the leadframe platform:

- Heat dissipation from the package is faster than other PCB display products
- Brightness (I_V) degradation reduced over time
- Lead stability and consistency
- Solder coated leads result in better solderability
- Typical epoxy Tg is 140°C resulting in improved temperature cycling reliability

**Consumer Applications:
Standard Seven-segment
Display Package**

Designed for the cost competitive general purpose commercial LED display applications, this package is built with a PCB substrate using ultrasonic stitch to stitch bonding with aluminum wire.

Key benefits for the PCB platform:

- Competitive prices
- Agilent quality, reliability and technical support
- Typical epoxy Tg is 100–120°C, suitable for applications that do not experience extreme temperatures and temperature cycling

Agilent is committed to support the market by offering display performance and features that are specific to the designer's application requirements.

Typical Industrial Applications

High Performance Seven-segment Displays:

- Temperature controllers
- Test and measurement instrumentation
- Power converters
- Home appliance displays
- Automotive and avionics instrumentation
- Fuel pump displays
- Digital panel meters

Typical Consumer Applications

Standard Seven-segment Displays:

- Cable set-top boxes
- Electronics displays
- Gaming machines
- Point of sale terminals
- Answering machines
- Exercise equipment

LED Standard Seven Segment Displays

Part Number	Face Color	Pin Configuration	Intensity (μ cd)		Iv Test Current (mA)	Vf Typ (V)	Vf Test Current (mA)	Decimal
			Min	Typ				

14.2 mm (0.56") Single Digit Displays

Blue 466 nm

HDSP-501B	Grey	Common Anode	2020	3400	10	3.8	20	Right
HDSP-503B	Grey	Common Cathode	2020	3400	10	3.8	20	Right

14.2 mm (0.56") Dual Digit Displays

GaP Yellow 587 nm

HDSP-521Y	Grey	Common Anode	680	1800	10	2.1	20	Right
HDSP-523Y	Grey	Common Cathode	680	1800	10	2.1	20	Right

GaP Red 626 nm

HDSP-521E	Grey	Common Anode	1010	2800	10	2.1	20	Right
HDSP-523E	Grey	Common Cathode	1010	2800	10	2.1	20	Right

GaP Green 571 nm

HDSP-521G	Grey	Common Anode	1010	2500	10	2.1	10	Right
HDSP-523G	Grey	Common Cathode	1010	2500	10	2.1	10	Right

AlGaAs Red 643 nm

HDSP-521A	Grey	Common Anode	3201	6500	10	1.85	20	Right
HDSP-523A	Grey	Common Cathode	3201	6500	10	1.85	20	Right

20 mm (0.8") Single Digit Displays

GaP Red 626 nm

HDSP-815E	Grey	Common Anode	2300	4800	20	2.1	20	Right
HDSP-816E	Grey	Common Cathode	2300	4800	20	2.1	20	Right

GaP Green 571 nm

HDSP-815G	Grey	Common Anode	1500	3300	20	2.1	20	Right
HDSP-816G	Grey	Common Cathode	1500	3300	20	2.1	20	Right

10 mm (0.4") Slim Font Single Digit Display

GaP Red 625 nm

HDSP-301E	Grey	Common Anode	1251	2000	10	1.90	20	Right
HDSP-303E	Grey	Common Cathode	1251	2000	10	1.90	20	Right

GaP Green 573 nm

HDSP-301G	Grey	Common Anode	2001	3200	10	2.25	20	Right
HDSP-303G	Grey	Common Cathode	2001	3200	10	2.25	20	Right

AlGaAs Red 643 nm

HDSP-301A	Grey	Common Anode	320	505	1	1.80	20	Right
HDSP-303A	Grey	Common Cathode	320	505	1	1.80	20	Right

GaP Yellow 590 nm

HDSP-301Y	Grey	Common Anode	1251	2000	10	2.15	20	Right
HDSP-303Y	Grey	Common Cathode	1251	2000	10	2.15	20	Right

LED Standard Seven Segment Displays

Part Number	Face Color	Pin Configuration	Intensity (μcd)		Iv Test Current (mA)	Vf Typ (V)	Vf Test Current (mA)	Decimal
			Min	Typ				

13 mm (0.56") Slim Font Single Digit Display

GaP Red 625 nm

HDSP-561E	Grey	Common Anode	2001	3526	10	1.90	20	Right
HDSP-563E	Grey	Common Cathode	2001	3526	10	1.90	20	Right

GaP Green 573 nm

HDSP-561G	Grey	Common Anode	3201	5601	10	2.25	20	Right
HDSP-563G	Grey	Common Cathode	3201	5601	10	2.25	20	Right

AlGaAs Red 643 nm

HDSP-561A	Grey	Common Anode	506	878	1	1.80	20	Right
HDSP-563A	Grey	Common Cathode	506	878	1	1.80	20	Right

GaP Yellow 590 nm

HDSP-561Y	Grey	Common Anode	2000	3526	10	2.15	20	Right
HDSP-563Y	Grey	Common Cathode	2000	3526	10	2.15	20	Right

7.62mm (0.3") Single Digit Display

GaP Red 620 nm

HDSP-331E	Grey	Common Anode	800	1800	10	2.05	20	Right & Left
HDSP-333E	Grey	Common Cathode	800	1800	10	2.05	20	Right
HDSP-334E	Grey	Common Cathode	800	1800	10	2.05	20	Right

GaP Green 573 nm

HDSP-331G	Grey	Common Anode	800	2000	10	2.25	20	Right & Left
HDSP-333G	Grey	Common Cathode	800	2000	10	2.25	20	Right
HDSP-334G	Grey	Common Cathode	800	2000	10	2.25	20	Right

AlGaAs Red 643nm

HDSP-331A	Grey	Common Anode	2001	4200	10	1.85	20	Right & Left
HDSP-333A	Grey	Common Cathode	2001	4200	10	1.85	20	Right
HDSP-334A	Grey	Common Cathode	2001	4200	10	1.85	20	Right

GaP Yellow 590 nm

HDSP-331Y	Grey	Common Anode	800	1500	10	2.15	20	Right & Left
HDSP-333Y	Grey	Common Cathode	800	1500	10	2.15	20	Right
HDSP-334Y	Grey	Common Cathode	800	1500	10	2.15	20	Right

LED Standard Seven Segment Displays

Part Number	Face Color	Pin Configuration	Intensity (μcd)		Iv Test Current (mA)	Vf Typ (V)	Vf Test Current (mA)	Decimal
			Min	Typ				

10.16 mm (0.4" S) Single Digit Display

GaP Red 620 nm

HDSP-311E	Grey	Common Anode	1250	3200	10	2.05	20	Right
HDSP-313E	Grey	Common Cathode	1250	3200	10	2.05	20	Right

GaP Green 573 nm

HDSP-311G	Grey	Common Anode	1250	3200	10	2.25	20	Right
HDSP-313G	Grey	Common Cathode	1250	3200	10	2.25	20	Right

AlGaAs Red 643 nm

HDSP-311A	Grey	Common Anode	3200	7500	10	1.85	20	Right
HDSP-313A	Grey	Common Cathode	3200	7500	10	1.85	20	Right

GaP Yellow 590 nm

HDSP-311Y	Grey	Common Anode	800	1500	10	2.15	20	Right
HDSP-313Y	Grey	Common Cathode	800	1500	10	2.15	20	Right

10.16 mm (0.4" D) Dual Digit Display

GaP Red 620 nm

HDSP-G01E	Grey	Common Anode	1250	2600	10	2.05	20	-
HDSP-G03E	Grey	Common Cathode	1250	2600	10	2.05	20	-

GaP Green 573 nm

HDSP-G01G	Grey	Common Anode	1250	3200	10	2.25	20	-
HDSP-G03G	Grey	Common Cathode	1250	3200	10	2.25	20	-

AlGaAs Red 643 nm

HDSP-G01A	Grey	Common Anode	3200	6500	10	1.85	20	-
HDSP-G03A	Grey	Common Cathode	3200	6500	10	1.85	20	-

GaP Yellow 590 nm

HDSP-G01Y	Grey	Common Anode	800	1500	10	2.15	20	-
HDSP-G03Y	Grey	Common Cathode	800	1500	10	2.15	20	-

LED Standard Seven Segment Displays

Part Number	Face Color	Pin Configuration	Intensity (μcd)		Iv Test Current (mA)	Vf Typ (V)	Vf Test Current (mA)	Decimal
			Min	Typ				

14.22 mm (0.56" S) Single Digit Display

GaP Red 620 nm

HDSP-511E	Grey	Common Anode	2001	4100	10	2.05	20	Right
HDSP-513E	Grey	Common Cathode	2001	4100	10	2.05	20	Right

GaP Green 573 nm

HDSP-511G	Grey	Common Anode	2001	4100	10	2.25	20	Right
HDSP-513G	Grey	Common Cathode	2001	4100	10	2.25	20	Right

AlGaAs Red 643 nm


HDSP-511A	Grey	Common Anode	3201	6500	10	1.85	20	Right
HDSP-513A	Grey	Common Cathode	3201	6500	10	1.85	20	Right

GaP Yellow 590 nm





HDSP-511Y	Grey	Common Anode	1251	2600	10	2.15	20	Right
HDSP-513Y	Grey	Common Cathode	1251	2600	10	2.15	20	Right

LED Standard Displays—Seven Segment Displays Luminous Intensity Categories (Typ.)



0.56" Single Digit

Bin ID	Customer Iv in mcd	
	min	max
Blue 	HDSP-50xB	
H	2.02	2.63
I	2.63	3.42
J	3.42	4.20
K	4.20	5.04

0.56" Dual Digit

Bin ID	Customer Iv in mcd	
	min	max
GaP Red 	HDSP-52xE	
G	2.28	3.42
H	3.42	5.13
I	5.13	7.69
GaP Yellow 	HDSP-52xY	
F	1.52	2.28
G	2.28	3.42
H	3.42	5.13
GaP Green 	HDSP-52xG	
G	2.28	3.42
H	3.42	5.13
AlGaAs Red 	HDSP-52xA	
J	3.201	5.050
K	5.051	8.000
L	8.001	12.650





0.8" Single Digit

Bin ID	Customer Iv in mcd	
	min	max
GaP Red 	HDSP-81xE	
N	4.78	8.34
P	6.82	11.86
Q	9.7	16.61
GaP Green 	HDSP-81xG	
P	6.82	11.86
Q	9.7	16.61
R	13.6	23.74





LED Standard Seven Segment Displays

LED Standard Displays–Seven Segment Displays Luminous Intensity Categories (Typ.)





10 mm (0.4") Slim Font Single Digit

Bin ID	Customer lv in mcd	
	min	max
GaP Red 		
HDSP-30xE		
I	1.100	2.200
K	1.800	3.600
GaP Green 		
HDSP-30xG		
K	1.800	3.600
L	2.800	5.600
AlGaAs Red 		
HDSP-30xA		
F	0.280	0.560
G	0.450	0.900
GaP Yellow 		
HDSP-30xY		
I	1.100	2.200
K	1.800	3.600





7.62 mm (0.3") Single Digit

Bin ID	Customer lv in mcd	
	min	max
GaP Red 		
HDSP-33xE		
G	0.801	1.250
H	1.251	2.000
I	2.001	3.200
GaP Green 		
HDSP-33xG		
G	0.801	1.250
H	1.251	2.000
I	2.001	3.200
AlGaAs Red 		
HDSP-33xA		
I	2.001	3.200
J	3.201	5.050
K	5.051	8.000
GaP Yellow 		
HDSP-33xY		
G	0.801	1.250
H	1.251	2.000
I	2.001	3.200





13 mm (0.56") Slim Font Single Digit

Bin ID	Customer lv in mcd	
	min	max
GaP Red 		
HDSP-56xE		
I	1.100	2.200
K	1.800	3.600
GaP Green 		
HDSP-56xG		
K	1.800	3.600
L	2.800	5.600
AlGaAs Red 		
HDSP-56xA		
F	0.280	0.560
G	0.450	0.900
GaP Yellow 		
HDSP-56xY		
I	1.100	2.200
K	1.800	3.600





10.16 mm (0.4") Single Digit

Bin ID	Customer lv in mcd	
	min	max
GaP Red 		
HDSP-31xE		
H	1.251	2.000
I	2.001	3.200
J	3.201	5.050
GaP Green 		
HDSP-31xG		
H	1.251	2.000
I	2.001	3.200
J	3.201	5.050
AlGaAs Red 		
HDSP-31xA		
J	3.201	5.050
K	5.051	8.000
L	8.001	12.650
GaP Yellow 		
HDSP-31xY		
G	0.801	1.250
H	1.251	2.000
I	2.001	3.200

10.16 mm (0.4"D) Dual Digit

Bin ID	Customer lv in mcd	
	min	max
GaP Red 		
HDSP-G0xE		
H	1.251	2.000
I	2.001	3.200
J	3.201	5.050
GaP Green 		
HDSP-G0xG		
H	1.251	2.000
I	2.001	3.200
J	3.201	5.050
AlGaAs Red 		
HDSP-G0xA		
J	3.201	5.050
K	5.051	8.000
L	8.001	12.650
GaP Yellow 		
HDSP-G0xY		
G	0.801	1.250
H	1.251	2.000
I	2.001	3.200

14.22 mm (0.56") Single Digit

Bin ID	Customer lv in mcd	
	min	max
GaP Red 		
HDSP-51xE		
I	2.001	3.200
J	3.201	5.050
K	5.051	8.000
GaP Green 		
HDSP-51xG		
I	2.001	3.200
J	3.201	5.050
K	5.051	8.000
AlGaAs Red 		
HDSP-51xA		
J	3.201	5.050
K	5.051	8.000
L	8.001	12.650
GaP Yellow 		
HDSP-51xY		
H	1.251	2.000
I	2.001	3.200
J	3.201	5.050

LED Standard Seven Segment Displays

Part Number	Face Color	Pin Configuration	Intensity (μ cd)		Iv Test Current (mA)	Vf Typ (V)	Vf Test Current (mA)	2 Intensity Bin Selection
			Min	Typ				

7.6 mm (0.3") Micro Bright Displays (right decimal point)

GaP Red 626 nm

HDSP-7501	Grey	Common Anode	360	980	5	2	20	C,D
HDSP-A211	Black	Common Anode	360	980	5	2	20	
HDSP-7503	Grey	Common Cathode	360	980	5	2	20	C,D
HDSP-A213	Black	Common Cathode	360	980	5	2	20	C,D

GaP Orange 600 nm

HDSP-A401	Grey	Common Anode	354	720	5	2	20	
HDSP-A411	Black	Common Anode	354	720	5	2	20	
HDSP-A403	Grey	Common Cathode	354	720	5	2	20	
HDSP-A413	Black	Common Cathode	354	720	5	2	20	

GaP Yellow 586 nm

HDSP-7401	Grey	Common Anode	225	480	5	2.2	20	D,E
HDSP-7403	Grey	Common Cathode	225	480	5	2.2	20	D,E

High Performance Green 571 nm

HDSP-7801	Grey	Common Anode	860	3000	10	2.1	10	J,K
HDSP-A511	Black	Common Anode	860	3000	10	2.1	10	J,K
HDSP-7803	Grey	Common Cathode	860	3000	10	2.1	10	
HDSP-A513	Black	Common Cathode	860	3000	10	2.1	10	

GaP AlGaAs Red 637 nm

HDSP-A151	Grey	Common Anode	690	1400	20	1.8	20	
HDSP-A153	Grey	Common Cathode	690	1400	20	1.8	20	

7.6 mm (0.3") Micro Bright Low Current Displays (right decimal point)

GaP AlGaAs Red 637 nm

HDSP-A101	Grey	Common Anode	315	600	1	1.6	1	F,G
HDSP-A111	Black	Common Anode	315	600	1	1.6	1	F,G
HDSP-A103	Grey	Common Cathode	315	600	1	1.6	1	F,G
HDSP-A113	Black	Common Cathode	315	600	1	1.6	1	

GaP Red 626 nm

HDSP-7511	Grey	Common Anode	160	270	2	1.6	2	C,D
HDSP-7513	Grey	Common Cathode	160	270	2	1.6	2	C,D

GaP Yellow 585 nm

HDSP-A801	Grey	Common Anode	250	420	4	1.7	4	
HDSP-A803	Grey	Common Cathode	250	420	4	1.7	4	





GaP Green 571 nm

HDSP-A901	Grey	Common Anode	250	475	4	1.9	4	
HDSP-A903	Grey	Common Cathode	250	475	4	1.9	4	

LED Standard Seven Segment Displays




Part Number	Face Color	Pin Configuration	Intensity (μ cd)		Iv Test Current (mA)	Vf Typ (V)	Vf Test Current (mA)
			Min	Typ			

7.6 mm (0.3") Micro Bright Overflow Displays (right decimal point)




GaP Red 626 nm 							
HDSP-7507	Grey	Common Anode	360	980	5	2	20
HDSP-7508	Grey	Common Cathode	360	980	5	2	20
GaP Orange 600 nm 							
HDSP-A407	Grey	Common Anode	354	720	5	2	20
HDSP-A408	Grey	Common Cathode	354	720	5	2	20
GaP Yellow 586 nm 							
HDSP-7407	Grey	Common Anode	225	480	5	2.2	20
HDSP-7408	Grey	Common Cathode	225	480	5	2.2	20
GaP Green 571 nm 							
HDSP-7807	Grey	Common Anode	860	3000	10	2.1	10
HDSP-7808	Grey	Common Cathode	860	3000	10	2.1	10

Part Number	Face Color	Pin Configuration	Intensity		Iv Test Current (mA)	Vf Typ. (V)	Vf Test Current (mA)	2 Intensity Bin Selection	Decimal Point
			Min.	Typ.					

7.6 mm (0.3") Single Digit Displays

GaP Red 626 nm 									
5082-7610	Red	Common Anode	340	800	5	2.1	20	C,D	Left
5082-7611	Red	Common Anode	340	800	5	2.1	20		Right
5082-7613	Red	Common Cathode	340	800	5	2.1	20	C,D	Right
GaP Yellow 586 nm 									
5082-7620	Yellow	Common Anode	205	620	5	2.2	20		Left
5082-7621	LYellow	Common Anode	205	620	5	2.2	20		Right
5082-7623	Yellow	Common Cathode	205	620	5	2.2	20		Right
GaP Green 571 nm 									
HDSP-3600	Green	Common Anode	860	2700	10	2.1	10	K,L	Left
HDSP-3601	Green	Common Anode	860	2700	10	2.1	10		Right
HDSP-3603	Green	Common Cathode	860	2700	10	2.1	10		Right

7.6 mm (0.3") Single Digit Overflow

GaP Red 626 nm 									
5082-7616	Red	–	340	800	5	2.1	20		Right
GaP Yellow 586 nm 									
5082-7626	Yellow	–	205	620	5	2.2	20		Right
GaP Green 571 nm 									
HDSP-3606	Green	–	860	2700	10	2.1	10		Right

LED Standard Seven Segment Displays

Part Number	Face Color	Pin Configuration	Intensity (μcd)		Iv Test Current (mA)	Vf Typ (V)	Vf Test Current (mA)	2 Intensity Bin Selection
			Min	Typ				

8 mm (0.31") Micro Bright Displays (right decimal point)

AlGaAs Red 637 nm

HDSP-U101	Grey	Common Anode	315	600	1	1.8	20	
HDSP-U111	Black	Common Anode	315	600	1	1.8	20	
HDSP-U103	Grey	Common Cathode	315	600	1	1.8	20	
HDSP-U113	Black	Common Cathode	315	600	1	1.8	20	F,G

GaP Red 626 nm

HDSP-U201	Grey	Common Anode	360	980	5	2	20	
HDSP-U211	Black	Common Anode	360	980	5	2	20	C,D
HDSP-U203	Grey	Common Cathode	360	980	5	2	20	C,D
HDSP-U213	Black	Common Cathode	360	980	5	2	20	C,D

GaP Orange 600 nm

HDSP-U401	Grey	Common Anode	360	980	5	2	20	
HDSP-U411	Black	Common Anode	360	980	5	2	20	
HDSP-U403	Grey	Common Cathode	360	980	5	2	20	
HDSP-U413	Black	Common Cathode	360	980	5	2	20	

GaP Yellow 586 nm

HDSP-U301	Grey	Common Anode	225	480	5	2.2	20	
HDSP-U311	Black	Common Anode	225	480	5	2.2	20	
HDSP-U303	Grey	Common Cathode	225	480	5	2.2	20	
HDSP-U313	Black	Common Cathode	225	480	5	2.2	20	

GaP Green 571 nm

HDSP-U501	Grey	Common Anode	860	3000	10	2.1	10	
HDSP-U511	Black	Common Anode	860	3000	10	2.1	10	K,L
HDSP-U503	Grey	Common Cathode	860	3000	10	2.1	10	K,L
HDSP-U513	Black	Common Cathode	860	3000	10	2.1	10	K,L

LED Standard Seven Segment Displays

Part Number	Face Color	Pin Configuration	Intensity (μcd)		Iv Test Current (mA)	Vf Typ (V)	Vf Test Current (mA)	2 Intensity Bin Selection
			Min	Typ				

10 mm (0.4") Single Digit Displays (right decimal point)

AlGaAs Red 637 nm

HDSP-F111	Black	Common Anode	330	650	1	1.6	1	
HDSP-F101	Grey	Common Anode	330	650	1	1.6	1	E,F
HDSP-F113	Black	Common Cathode	330	650	1	1.6	1	
HDSP-F103	Grey	Common Cathode	330	650	1	1.8	1	E,F

GaP Red 626 nm

HDSP-F211	Black	Common Anode	420	1200	5	2	20	D,E
HDSP-F201	Grey	Common Anode	420	1200	5	2	20	D,E
HDSP-F213	Black	Common Cathode	420	1200	5	2	20	D,E
HDSP-F203	Grey	Common Cathode	420	1200	5	2	20	D,E

GaP Orange 603 nm

HDSP-F411	Black	Common Anode	420	1200	5	2	20	
HDSP-F401	Grey	Common Anode	420	1200	5	2	20	
HDSP-F413	Black	Common Cathode	420	1200	5	2	20	
HDSP-F403	Grey	Common Cathode	420	1200	5	2	20	

GaP Yellow 586 nm

HDSP-F301	Grey	Common Anode	290	800	5	2.2	20	D,E
HDSP-F303	Grey	Common Cathode	290	800	5	2.2	20	D,E

GaP Green 571 nm

HDSP-F511	Black	Common Anode	1030	3500	10	2.1	10	I,J
HDSP-F501	Grey	Common Anode	1030	3500	10	2.1	10	J,K
HDSP-F513	Black	Common Cathode	1030	3500	10	2.1	10	I,J
HDSP-F503	Grey	Common Cathode	1030	3500	10	2.1	10	J,K

10 mm (0.4") Overflow Displays (right decimal point)

AlGaAs Red 637 nm

HDSP-F107	Grey	Common Anode	330	650	1	1.6	1	
HDSP-F108	Grey	Common Cathode	330	650	1	1.6	1	

GaP Red 626 nm

HDSP-F207	Grey	Common Anode	420	1200	5	2	20	
HDSP-F208	Grey	Common Cathode	420	1200	5	2	20	

GaP Orange 603nm

HDSP-F407	Grey	Common Anode	420	1200	5	2	20	
HDSP-F408	Grey	Common Cathode	420	1200	5	2	20	

GaP Yellow 586 nm

HDSP-F307	Grey	Common Anode	290	800	5	2.2	20	
HDSP-F308	Grey	Common Cathode	290	800	5	2.2	20	

GaP Green 571 nm

HDSP-F507	Grey	Common Anode	1030	3500	10	2.1	10	
HDSP-F508	Grey	Common Cathode	1030	3500	10	2.1	10	

LED Standard Seven Segment Displays

Part Number	Face Color	Pin Configuration	Intensity (μcd)		Iv Test Current (mA)	Vf Typ (V)	Vf Test Current (mA)
			Min	Typ			

10 mm (0.4") Dual Digit Displays (right decimal point)

AlGaAs Red 637 nm

HDSP-G111	Black	Common Anode	330	650	1	1.6	1
HDSP-G101	Grey	Common Anode	330	650	1	1.6	1
HDSP-G113	Black	Common Cathode	330	650	1	1.6	1
HDSP-G103	Grey	Common Cathode	330	650	1	1.6	1

GaP Red 626 nm

HDSP-G211	Black	Common Anode	420	1200	5	2	2
HDSP-G201	Grey	Common Anode	420	1200	5	2	20
HDSP-G213	Black	Common Cathode	420	1200	5	2	20
HDSP-G203	Grey	Common Cathode	420	1200	5	2	20

GaP Orange 603 nm

HDSP-G411	Black	Common Anode	420	1200	5	2	20
HDSP-G401	Grey	Common Anode	420	1200	5	2	20
HDSP-G413	Black	Common Cathode	420	1200	5	2	20
HDSP-G403	Grey	Common Cathode	420	1200	5	2	20

GaP Yellow 586 nm

HDSP-G301	Grey	Common Anode	290	800	5	2.2	20
HDSP-G303	Grey	Common Cathode	290	800	5	2.2	20

GaP Green 571 nm

HDSP-G511	Black	Common Anode	1030	3500	10	2.1	10
HDSP-G501	Grey	Common Anode	1030	3500	10	2.1	10
HDSP-G513	Black	Common Cathode	1030	3500	10	2.1	10
HDSP-G503	Grey	Common Cathode	1030	3500	10	2.1	10

LED Standard Seven Segment Displays

Part Number	Face Color	Pin Configuration	Intensity		Iv Test Current (mA)	Vf Typ. (V)	Vf Test Current (mA)	Decimal Point
			Min.	Typ.				

10 mm (0.4") Slim Font Single Digit Displays

AlGaAs Red 637 nm

HDSP-315H	Grey	Common Anode	180	650	1	1.8	1	Right
HDSP-316H	Grey	Common Cathode	180	650	1	1.8	1	Right

GaP Red 626 nm

HDSP-315E	Grey	Common Anode	450	2600	10	1.9	10	Right
HDSP-316E	Grey	Common Cathode	450	2600	10	1.9	10	Right

GaP Red 626 nm—Low Current

HDSP-315L	Grey	Common Anode	180	370	2	2.1	2	Right
HDSP-316L	Grey	Common Cathode	180	370	2	2.1	2	Right

GaP Yellow 586 nm

HDSP-315Y	Grey	Common Anode	450	1800	10	2	10	Right
HDSP-316Y	Grey	Common Cathode	450	1800	10	2	10	Right

GaP Green 571 nm

HDSP-315G	Grey	Common Anode	450	5000	10	2.1	10	Right
HDSP-316G	Grey	Common Cathode	450	5000	10	2.1	10	Right

LED Standard Seven Segment Displays

Part Number	Face Color	Pin Configuration	Intensity		Iv Test Current (mA)	Vf Typ. (V)	Vf Test Current (mA)	2 Intensity Bin Selection	Decimal Point
			Min.	Typ.					

10.9 mm (0.43") Single Digit Displays

AlGaAs Red 637 nm

HDSP-E101	Grey	Common Anode	390	650	1	1.6	1	E,F	Right
HDSP-E103	Grey	Common Cathode	390	650	1	1.6	1		Right

GaP Red 626 nm

5082-7650	Red	Common Anode	340	1115	5	2.1	20	D,E	Left
5082-7651	Red	Common Anode	340	1115	5	2.1	20	D,E	Right
5082-7653	Red	Common Cathode	340	1115	5	2.1	20	D,E	Right

GaP Red 626 nm–Low Current

HDSP-3350	Red	Common Anode	200	300	2	1.6	2		Left
HDSP-3351	Red	Common Anode	200	300	2	1.6	2		Right
HDSP-3353	Red	Common Cathode	200	300	2	1.6	2		Right

GaP Yellow 586 nm

5082-7660	Yellow	Common Anode	290	835	5	2.2	20		Left
5082-7661	Yellow	Common Anode	290	835	5	2.2	20		Right
5082-7663	Yellow	Common Cathode	290	835	5	2.2	20		Right

GaP Green 571 nm

HDSP-4600	Grey	Common Anode	1030	4000	10	2.1	10		Left
HDSP-4601	Grey	Common Anode	1030	4000	10	2.1	10		Right
HDSP-4603	Grey	Common Cathode	1030	4000	10	2.1	10	I,J	Right

10.9 mm (0.43") Overflow Displays

AlGaAs Red 637 nm

HDSP-E106	Grey	–	390	650	1	1.6	1		Right
-----------	------	---	-----	-----	---	-----	---	--	-------

GaP Red 626 nm

5082-7656	Red	–	340	1115	5	2.1	20		Right
-----------	-----	---	-----	------	---	-----	----	--	-------

GaP Red 626 nm–Low Current

HDSP-3356	Red	–	270	370	2	1.6	2		Right
-----------	-----	---	-----	-----	---	-----	---	--	-------

GaP Yellow 586 nm

5082-7666	Yellow	–	290	835	5	2.2	20		Right
-----------	--------	---	-----	-----	---	-----	----	--	-------

GaP Green 571 nm

HDSP-4606	Grey	–	1030	4000	10	2.1	10	I,J	Right
-----------	------	---	------	------	----	-----	----	-----	-------

LED Standard Seven Segment Displays

Part Number	Face Color	Pin Configuration	Intensity		Iv Test Current (mA)	Vf Typ. (V)	Vf Test Current (mA)	2 Intensity Bin Selection	Decimal Point
			Min.	Typ.					

13 mm (0.56") Slim Font Displays

AlGaAs Red 637 nm

HDSP-515H	Grey	Common Anode	180	650	1	1.8	1	G,H	Right
HDSP-516H	Grey	Common Cathode	180	650	1	1.8	1		Right

GaP Red 626 nm

HDSP-515E	Grey	Common Anode	450	2600	10	1.9	10		Right
HDSP-516E	Grey	Common Cathode	450	2600	10	1.9	10		Right

GaP Red 626 nm–Low Current

HDSP-515L	Grey	Common Anode	180	370	2	2.1	2	F,G	Right
HDSP-516L	Grey	Common Cathode	180	370	2	2.1	2		Right

GaP Yellow 586 nm

HDSP-515Y	Grey	Common Anode	450	1800	10	2	10		Right
HDSP-516Y	Grey	Common Cathode	450	1800	10	2	10		Right

GaP Green 571 nm

HDSP-515G	Grey	Common Anode	450	5000	10	2.1	10		Right
HDSP-516G	Grey	Common Cathode	450	5000	10	2.1	10		Right

LED Standard Seven Segment Displays

Part Number	Face Color	Pin Configuration	Intensity (μ cd)		Iv Test Current (mA)	Vf Typ (V)	Vf Test Current (mA)	2 Intensity Bin Selection
			Min	Typ				

14.2 mm (0.56") Single Digit Displays (right decimal point)

AlGaAs Red 637 nm

HDSP-H111	Black	Common Anode	400	700	1	1.6	1	D,E
HDSP-H101	Grey	Common Anode	400	700	1	1.6	1	D,E
HDSP-H113	Black	Common Cathode	400	700	1	1.6	1	
HDSP-H103	Grey	Common Cathode	400	700	1	1.6	1	D,E

GaP Red 626 nm

HDSP-H211	Black	Common Anode	900	2800	10	2	20	G,H
HDSP-5501	Grey	Common Anode	900	2800	10	2.1	20	G,H
HDSP-H213	Black	Common Cathode	900	2800	10	2	20	G,H
HDSP-5503	Grey	Common Cathode	900	2800	10	2.1	20	G,H

GaP Red 626 nm—Low Current

HDSP-5551	Grey	Common Anode	270	370	2	1.6	2	
HDSP-5553	Grey	Common Cathode	270	370	2	1.6	2	B,C

GaP Orange 600 nm

HDSP-H411	Black	Common Anode	1190	2000	10	2	20	
HDSP-H401	Grey	Common Anode	1190	2000	10	2	20	
HDSP-H413	Black	Common Cathode	1190	2000	10	2	20	
HDSP-H403	Grey	Common Cathode	1190	2000	10	2	20	

GaP Yellow 586 nm

HDSP-5701	Grey	Common Anode	600	1800	10	2.1	20	F,G
HDSP-5703	Grey	Common Cathode	600	1800	10	2.1	20	F,G

GaP Green 571 nm

HDSP-H511	Black	Common Anode	900	2500	10	2.1	10	G,H
HDSP-5601	Grey	Common Anode	900	2500	10	2.1	10	G,H
HDSP-H513	Black	Common Cathode	900	2500	10	2.1	10	G,H
HDSP-5603	Grey	Common Cathode	900	2500	10	2.1	10	G,H

LED Standard Seven Segment Displays

Part Number	Face Color	Pin Configuration	Intensity (μcd)		Iv Test Current (mA)	Vf Typ (V)	Vf Test Current (mA)	2 Intensity Bin Selection
			Min	Typ				

14.2 mm (0.56") Overflow Displays (right decimal point)

AlGaAs Red 637 nm

HDSP-H107	Grey	Common Anode	400	700	1	1.6	1	
HDSP-H108	Grey	Common Cathode	400	700	1	1.6	1	

GaP Red 626 nm

HDSP-5507	Grey	Common Anode	900	2800	10	2.1	20	G,H
HDSP-5508	Grey	Common Cathode	900	2800	10	2.1	20	G,H

GaP Red 626 nm—Low Current

HDSP-5557	Grey	Common Anode	270	370	2	1.6	2	
HDSP-5558	Grey	Common Cathode	270	370	2	1.6	2	

GaP Orange 600 nm

HDSP-H407	Grey	Common Anode	1190	2000	10	2	20	
HDSP-H408	Grey	Common Cathode	1190	2000	10	2	20	

GaP Yellow 586 nm

HDSP-5707	Grey	Common Anode	600	1800	10	2.1	20	
HDSP-5708	Grey	Common Cathode	600	1800	10	2.1	20	

GaP Green 571 nm

HDSP-5607	Grey	Common Anode	900	2500	10	2.1	10	
HDSP-5608	Grey	Common Cathode	900	2500	10	2.1	10	

LED Standard Seven Segment Displays

Part Number	Face Color	Pin Configuration	Intensity		Iv Test Current (mA)	Vf Typ. (V)	Vf Test Current (mA)	2 Intensity Bin Selection	Decimal Point
			Min.	Typ.					

20 mm (0.8") Single Digit Displays

AlGaAs Red 637 nm

HDSP-N100	Grey	Common Anode	270	590	1	1.6	1		Left
HDSP-N101	Grey	Common Anode	270	590	1	1.6	1		Right
HDSP-N103	Grey	Common Cathode	270	590	1	1.6	1		Right
HDSP-N105	Grey	Common Cathode	270	590	1	1.6	1		Left

GaP Red 626 nm

HDSP-3900	Grey	Common Left Hand	2200	7000 Peak (1/5 df)	100 mA	2.6	100		Left
HDSP-3901	Grey	Common Anode	3350	7000		2.6	100	E,F	Right
HDSP-3903	Grey	Common Cathode	3350	7000		2.6	100	E,F	Right
HDSP-3905	Grey	Common Cathode	3350	7000		2.6	100		Left

GaP Orange 600 nm

HDSP-N401	Grey	Common Anode	2230	– Peak (1/5 df)	100 mA	2.6	100		Right
HDSP-N403	Grey	Common Cathode	2230	–		2.6	100		Right

GaP Yellow 586 nm

HDSP-4200	Grey	Common Left Hand	2200	7000 Peak (1/5 df)	100 mA	2.6	100		Left
HDSP-4201	Grey	Common Anode	2200	7000		2.6	100		Right
HDSP-4203	Grey	Common Cathode	2200	7000		2.6	100		Right
HDSP-4205	Grey	Common Cathode	2200	7000		2.6	100		Left

GaP Green 571 nm

HDSP-8600	Grey	Common Anode	680	1500	10	2.1	10		Left
HDSP-8601	Grey	Common Anode	680	1500	10	2.1	10	E,F	Right
HDSP-8603	Grey	Common Cathode	680	1500	10	2.1	10	E,F	Right
HDSP-8605	Grey	Common Cathode	680	1500	10	2.1	10		Left

LED Standard Seven Segment Displays

Part Number	Face Color	Pin Configuration	Intensity		Iv Test Current (mA)	Vf Typ. (V)	Vf Test Current (mA)	Decimal Point
			Min.	Typ.				

20 mm (0.8") Single Digit Overflow Displays

AlGaAs Red 637 nm

HDSP-N106	Grey	–	270	590	1	1.6	1	Right
-----------	------	---	-----	-----	---	-----	---	-------

GaP Red 626 nm

HDSP-3906	Grey	–	3350	7000 Peak (1/5 df)	100 mA	2.6	100	Right
-----------	------	---	------	--------------------	--------	-----	-----	-------

GaP Orange 600 nm

HDSP-N406	Grey	–	2230	7000 Peak (1/5 df)	100 mA	2.6	100	Right
-----------	------	---	------	--------------------	--------	-----	-----	-------

GaP Yellow 586 nm

HDSP-4206	Grey	–	2200	7000 Peak (1/5 df)	100 mA	2.6	100	Right
-----------	------	---	------	--------------------	--------	-----	-----	-------

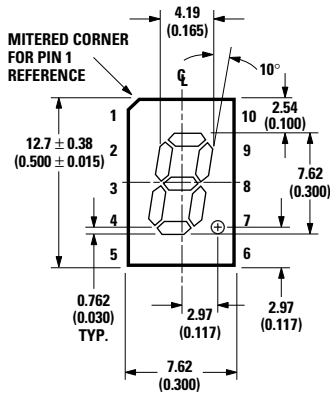
GaP Green 571 nm

HDSP-8606	Grey	–	680	1500	10	2.1	10	Right
-----------	------	---	-----	------	----	-----	----	-------

LED Standard Seven Segment Displays

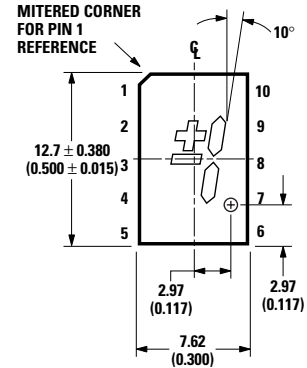
7.6 mm (0.3") Micro Bright Displays Package Dimension

Part Number		
HDSP-	A151	A211
	7501	A213
	A401	A511
	A411	A513
	7401	
	7801	
	A153	
	7503	
	A403	
	A413	
	7403	
	7803	



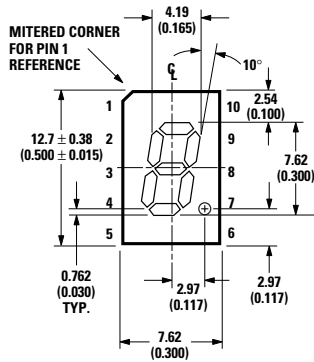
7.6 mm (0.3") Micro Bright Overflow Displays (Right Decimal Point) Package Dimension

Part Number	
HDSP-	7507
	A407
	7407
	7807
	7508
	A408
	7408
	7808



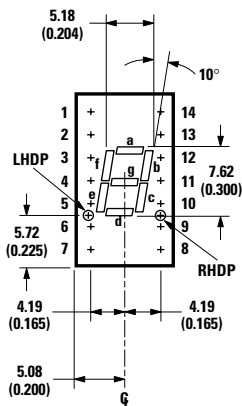
7.6 mm (0.3") Micro Bright Low Current Displays (Right Decimal Point) Package Dimension

Part Number		
HDSP-	A101	A111
	7511	A113
	A801	
	A901	
	A103	
	7513	
	A803	
	A903	



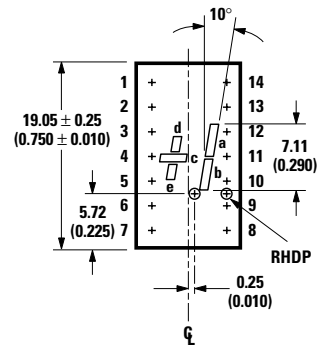
7.6 mm (0.3") Single Digit Displays Package Dimension

Part Number	
5802-	7610
	7611
	7613
	7620
	7621
	7623
	3600
	3601
	3603



7.6 mm (0.3") Overflow Displays Package Dimension

Part Number	
5802-	7616
	7626
	3606

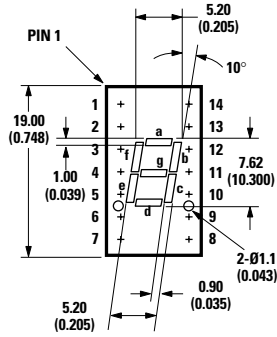


DIMENSIONS ARE IN MILLIMETERS (INCHES)

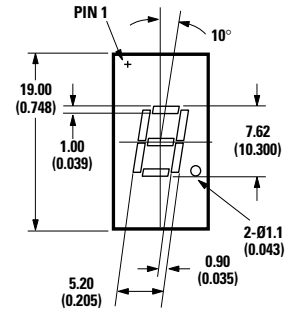
LED Standard Seven Segment Displays

7.62 mm (0.3") Single Digit Displays Package Dimension

Part Number		
5802-	331E	331A
	331G	331Y

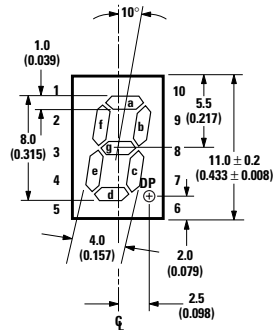


Part Number		
5802-	333E	334E
	333G	334G
	333A	334A
	333Y	334Y



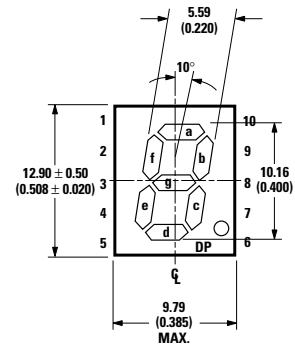
8 mm (0.31") Micro Bright Displays Package Dimension

Part Number		
HDSP-	Uxxx	



10 mm (0.4") Single Digit Displays (Right Decimal Point) Package Dimension

Part Number		
HDSP-	F111	F113
	F211	F213
	F511	F513
	F101	F103
	F201	F203
	F401	F403
	F411	F413
	F301	F303
	F501	F503
	F511	F513

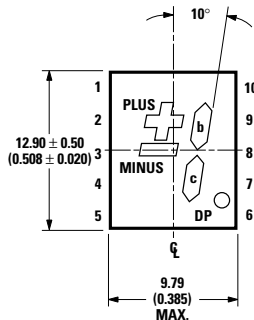


DIMENSIONS ARE IN MILLIMETERS (INCHES)

LED High Performance Seven Segment Displays

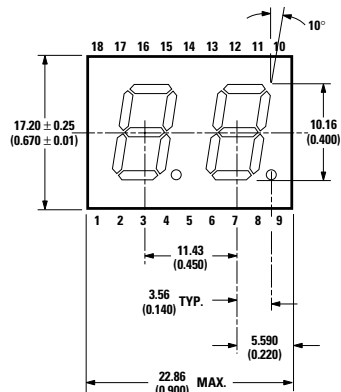
10 mm (0.4") Overflow Displays (Right Decimal Point) Package Dimension

Part Number		
HDSP-	F107	F108
	F207	F208
	F407	F408
	F307	F308
	F507	F508



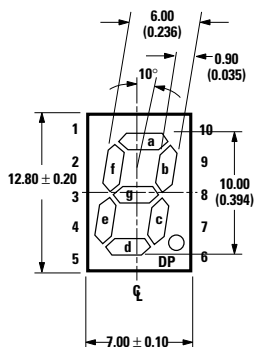
10 mm (0.4") Dual Digit Displays (Right Decimal Point) Package Dimension

Part Number		
HDSP-	G101	G103
	G111	G113
	G201	G203
	G211	G213
	G301	G303
	G401	G403
	G411	G413
	G501	G503
	G511	G513



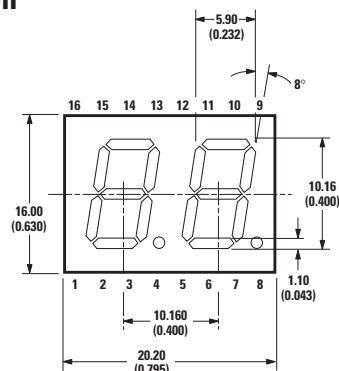
10 mm (0.4") Slim Font Single Digit Displays (Right Decimal Point) Package Dimension

Part Number		
HDSP-	315E	316E
	315L	316L
	315Y	316Y
	315G	316G
	30xE	30xG
	30xA	30xY



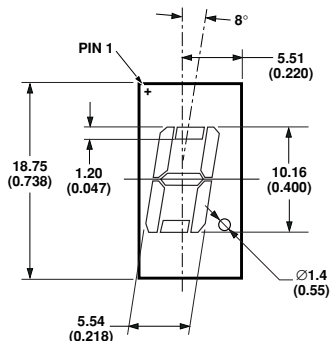
10.16 mm (0.4") Dual Digit Displays Package Dimension

Part Number		
HDSP-	G0xE	G0xG
	G0xA	G0xY

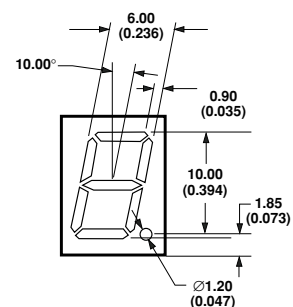


10.16 mm (0.4") Single Digit Displays Package Dimension

Part Number		
HDSP-	311E	
	311G	
	311A	
	311Y	



Part Number		
HDSP-	313E	
	313G	
	313A	
	313Y	

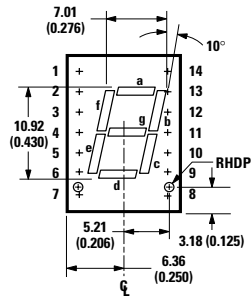


DIMENSIONS ARE IN MILLIMETERS (INCHES)

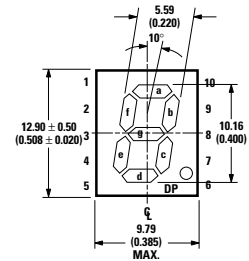
LED Standard Seven Segment Displays

10.9 mm (0.43") Single Digit Displays (Right Decimal Point) Package Dimension

Part Number		
HDSP-	E101	E103
	3351	3353
5082-	7651	7653
	7661	7663
	4601	4603

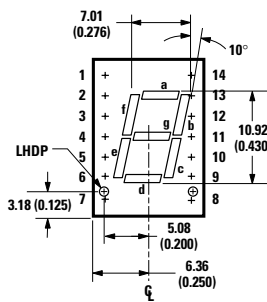


Part Number	
5082-	7650
	7660
	4600



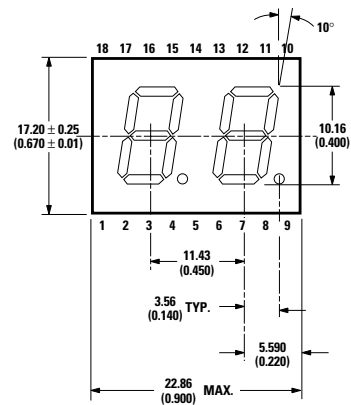
10.9 mm (0.43") Single Digit Displays Package Dimension

Part Number	
HDSP-	3350



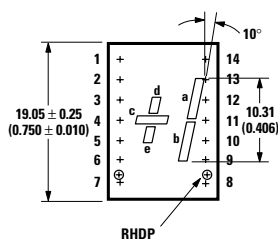
10.9 mm (0.43") Dual Digit Displays Package Dimension

Part Number		
HDSP-	G101	G103
	G201	G203
	G301	G303
	G401	G403
	G501	G503

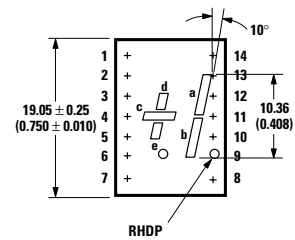


10.9 mm (0.43") Overflow Displays Package Dimension

Part Number		
HDSP-	4606	
5082-	7656	7666



Part Number		
HDSP-	E106	3356

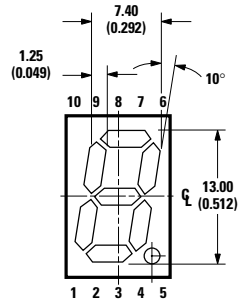


DIMENSIONS ARE IN MILLIMETERS (INCHES)

LED Standard Seven Segment Displays

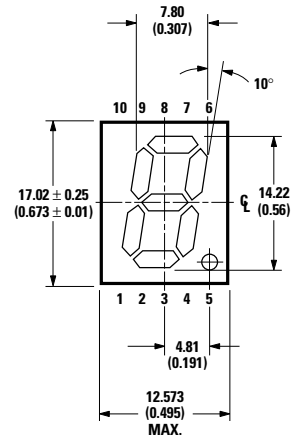
13 mm (0.56") Slim Font Displays Package Dimension

Part Number		
HDSP-	515H	516H
	515E	516E
	515L	516L
	515Y	516Y
	515G	516G
	56xE	56xG
	56xA	56xY



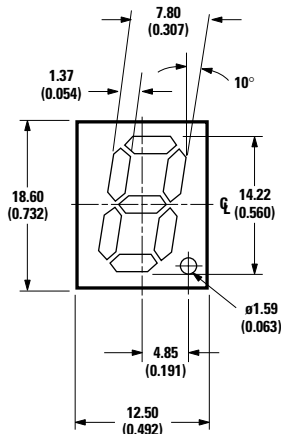
14.2 mm (0.56") Single Digit Displays (Right Decimal Point) Package Dimension

Part Number		
HDSP-	H111	H211
	H411	H511
	H113	H213
	H413	H513
	H101	H103
	H401	H403
	5551	5553
	5501	5503
	5701	5703
	5601	5603



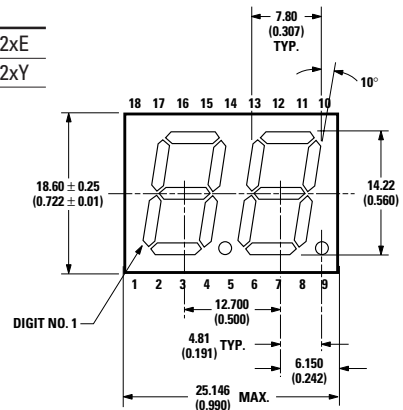
14.2 mm (0.56") Single Digit Displays (Right Decimal Point) Package Dimension

Part Number		
HDSP-	50xB	



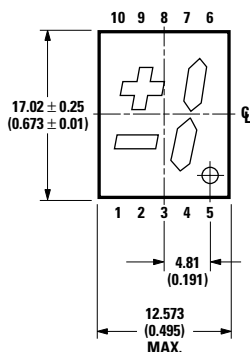
14.2 mm (0.56") Dual Digit Displays Package Dimension

Part Number		
HDSP-	52xA	52xE
	52xG	52xY



14.2 mm (0.56") Overflow Displays (Right Decimal Point) Package Dimension

Part Number		
HDSP-	H107	H108
	H407	H408
	5557	5558
	5507	5508
	5707	5708
	5607	5608

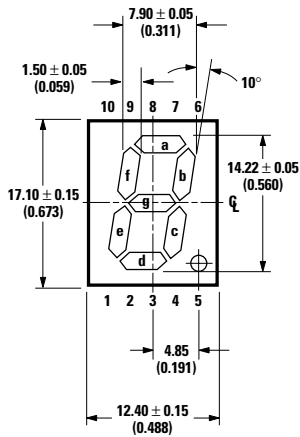


DIMENSIONS ARE IN MILLIMETERS (INCHES)

LED Standard Seven Segment Displays

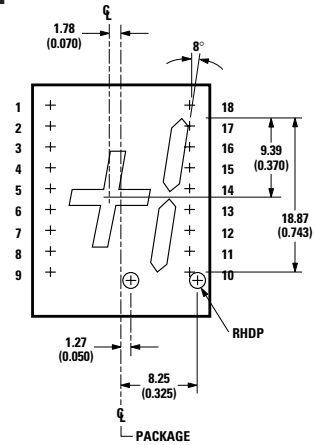
14.22 mm (0.56") Single Digit Displays Package Dimension

Part Number		
HDSP-	51xE	51xG
	51xA	51xY



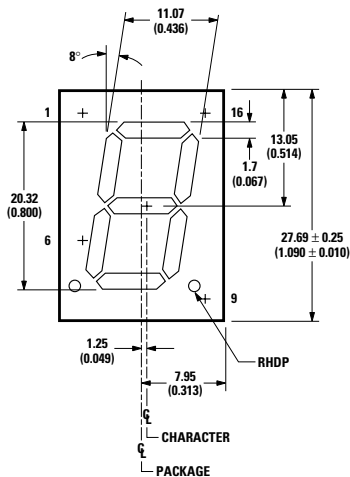
20 mm (0.8") Single Digit Overflow Displays Package Dimension

Part Number		
HDSP-	N106	N406
	3906	4206
	8606	

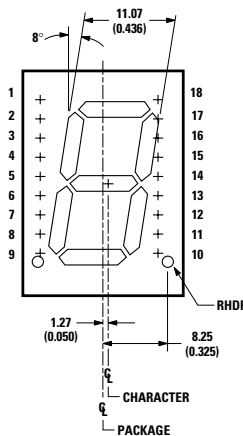


20 mm (0.8") Single Digit Displays Package Dimension

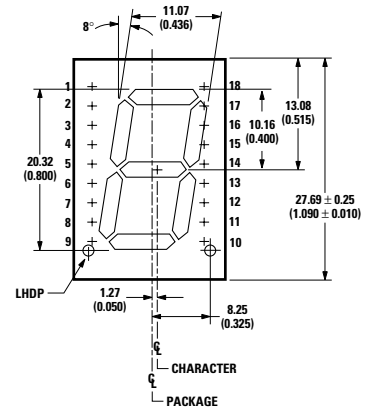
Part Number		
HDSP-	81xE	81xG



Part Number		
HDSP-	3901	3903
	4201	4203
	8601	8603
	N101	N103
	N401	N403



Part Number		
HDSP-	N100	N105
	3900	3905
	4200	4205
	8600	8605



DIMENSIONS ARE IN MILLIMETERS (INCHES)

www.agilent.com/semiconductors

For product information and a complete list of distributors, please go to our web site.

For technical assistance call:

Americas/Canada: +1 (800) 235-0312 or (916) 788-6763

Europe: +49 (0) 6441 92460

China: 10800 650 0017

Hong Kong: (65) 6756 2394

India, Australia, New Zealand: (65) 6755 1939

Japan: (+81 3) 3335-8152(Domestic/International), or 0120-61-1280(Domestic Only)

Korea: (65) 6755 1989

Singapore, Malaysia, Vietnam, Thailand, Philippines, Indonesia: (65) 6755 2044

Taiwan: (65) 6755 1843

Data subject to change.

Copyright © 2004 Agilent Technologies, Inc.

Obsoletes 5988-9394EN

August 10, 2004

5989-1532EN



Agilent Technologies