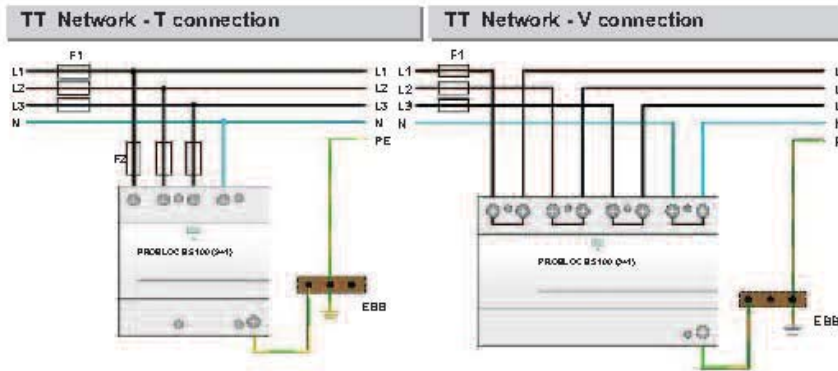


DVSB 400 100 4 TT

Multi-pole
Lightning and Surge Arrester
 $i_{imp} = 25kA$ per pole (10/350)

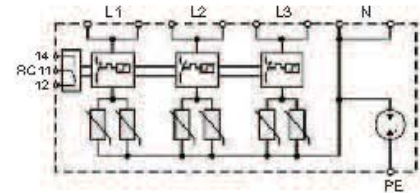
Category IEC / EN / VDE:	Class I, II / Type 1, 2 / B+C
Location of use:	Main distribution boards
Protection modes:	L - N, N - PE
Protective element:	High Energy MOV, high energy GDT
High surge discharge ratings:	$i_{imp}(MOV/GDT) = 25/100kA$
Housing:	Compact design



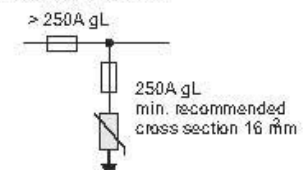
Technical data

Type		
In accordance with		EC-61643-1
Max. continuous operating voltage (AC/DC)	U_c	320/420V
Nominal discharge current (8/20) I_n (MOV/GDT)		25/100kA
Max. discharge current (8/20) I_{max} (MOV/GDT)		100/100kA
Impulse current (10/350) I_{imp} (MOV/GDT)		25/100kA
Impulse current (L1+L2+L3+N-PE) I_{imp}		100kA
Specific energy (MOV/GDT)		156kJ/R / 2.5MJ/R
Charge (MOV/GDT)		215As/50As
Protection level	U_p (MOV)	< 1.5kV
	U_p (GDT)	< 1.5kV
Residual voltage U_{res}	U_{res} (MOV)	1.3kV
Follow current	I_f (GDT)	> 100A RMS
Response time	t_A (MOV/GDT)	< 25ns/100ns
Residual current I_{PE}	I_{PE} (MOV/GDT)	< 2.5mA / -
Thermal protection	(MOV/GDT)	YES / -
Terminal screw torque		max 4.5Nm
Back-up fuse (if mains > 250 A)(MOV/GDT)		250A gL / -
Short-circuit withstand current (MOV/GDT)		25kA/50Hz / -
Temperature range		-40C +80C
Terminal cross section		35mm ² (solid)/25mm ² (stranded)
Mounting EN 60715		35mm top-hat rail
Degree of protection		IP 20
Housing material		Thermoplastic; extinguishing degree UL 94 V-0
Dimensions DIN 43880		5TE 8TE
Remote contacts		YES
Contact ratings		AC250V/0.5A; 125V/3A
Terminal cross section		max. 1.5mm
Remote terminal torque		0.25Nm
Weight per unit		733g
Packaging dimensions (single unit)		109 x 76.5 x 96mm 109 x 76.5 x 148mm

DVSB4001004TT



Selection of back-up fuse



Dimensions

