



**4D SYSTEMS**

---

# **μLCD-32PT(SGC)**

## **3.2” Serial LCD Display Module**

### **Data Sheet**

Document Date: 5<sup>th</sup> July 2010  
Document Revision: 1.0



4D SYSTEMS

## $\mu$ LCD-32PT(SGC) 3.2" Serial Display Module

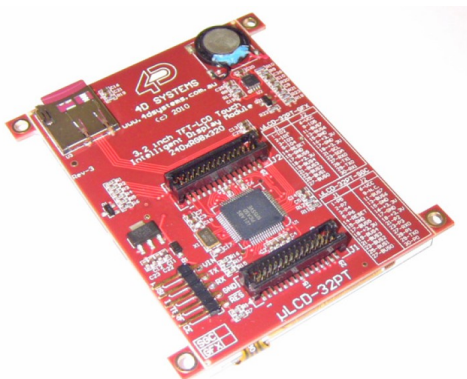
### Data Sheet

#### Description



The **uLCD-32PT(SGC)** is a compact and cost effective all in one "SMART" serial display modules using the latest state of the art LCD (TFT) technology with an embedded PICASO-SGC serial graphics controller that delivers 'stand-alone' functionality to any project.

Powerful graphics, text, image, animation and countless more features are built inside the module. It offers a simple yet effective serial interface to any host micro-controller that can communicate via a serial port. All screen related functions are sent using a simple protocol via the serial interface.



The serial platform allows users to develop their application using their favourite micro-controller and software development tools. In short, the uLCD-32PT(SGC) display module offers some of the most flexible embedded graphics solutions available.

#### Features

- Low-cost LCD display graphics user interface solution.
- 240 x 320 QVGA resolution, RGB 65K true to life colours, TFT screen.
- Integrated 4-Wire resistive Touch Panel.
- Easy 5 pin interface to any host device: **VCC, TX, RX, GND, RESET.**
- Asynchronous hardware serial port, TTL interface, with 300 baud to 256K baud.
- Powered by the 4D-Labs **PICASO-SGC** processor (also available as separate OEM IC for volume users).
- On-board micro-SD memory card adaptor for multimedia storage and data logging purposes. HC memory card support is also available for cards larger than 4Gb.
- DOS compatible file access (FAT16 format) as well as low level access to card memory.
- Dedicated PWM Audio pin supports FAT16 audio WAV files and complex sound generation.
- On-board audio amplifier with a tiny 8 Ohms speaker for sound generation and WAV file playback.
- Comprehensive set of built in high level graphics functions and algorithms that can draw lines, circles, text, and much more.
- Display full colour images, animations, icons and video clips.
- Supports all available Windows fonts and characters (imported as external fonts).
- 16 x General Purpose I/O pins. Upper 8 bits can be used as an I/O Bus for fast 8-bit parallel data transfers.
- 2 x 30 pin headers for I/O expansion and future

plug-in daughter boards.

- 4.0V to 5.5V range operation (single supply).
- Module dimensions: 55.1 x 77.0 x 13.8mm (not including mounting tabs).
- Display Viewing Area: 48.6 x 64.8mm
- 4 x mounting tabs with 3mm holes for mechanical support.
- RoHS Compliant.

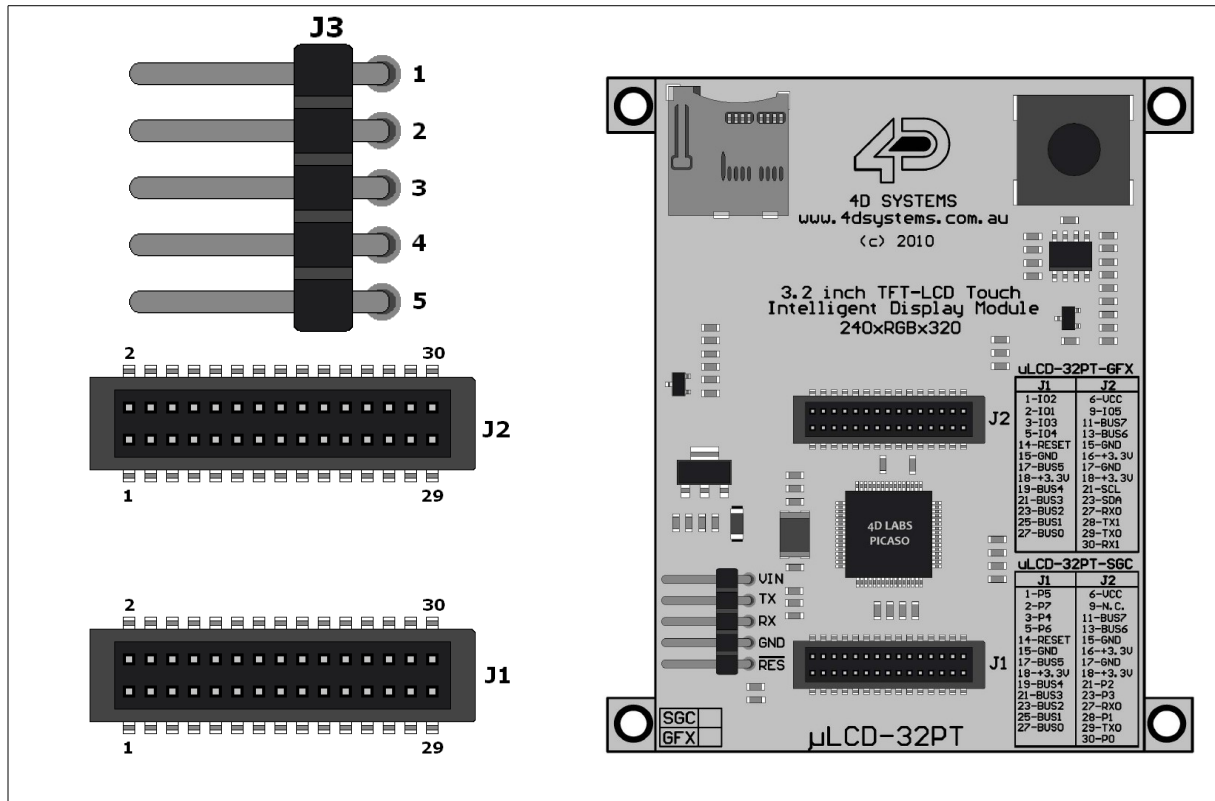
## Applications

- General purposes embedded graphics.
- Elevator control systems.
- Point of sale terminals.
- Electronic gauges and metres.
- Test and measurement and general purpose instrumentation.
- Industrial control and Robotics.
- Automotive system displays.
- GPS navigation systems.
- Medical Instruments and applications.
- Home appliances.
- Smart Home Automation.
- Security and Access control systems.
- Gaming equipment..
- Aviation systems.
- HMI with touch panels.

## Table of Contents

<b>1. Pin Configuration and Summary.....</b>	<b>5</b>
<b>2. Hardware Interface - Pins.....</b>	<b>8</b>
2.1 Serial Interface - UART .....	8
2.2 GPIO - General Purpose IO Interface .....	8
2.3 System Pins.....	8
<b>3. Software Interface - Commands.....</b>	<b>9</b>
<b>4. Module Features.....</b>	<b>11</b>
4.1 The Display – 3.2” TFT.....	11
4.2 The PICASO-SGC Processor.....	11
4.3 The uSD Memory Card.....	11
4.4 The Audio.....	11
4.5 The Touch Screen.....	12
<b>5. Power-Up and Reset.....</b>	<b>12</b>
5.1 Splash Screen on Power Up.....	12
5.2 4DSL Memory Card Script Program .....	13
5.3 Auto-Run Card Script Program .....	13
<b>6. Programming - System Updates.....</b>	<b>13</b>
<b>7. Memory Cards – FAT16 Format.....</b>	<b>14</b>
<b>8. Display Precautions.....</b>	<b>14</b>
<b>9. Development and Support Tools.....</b>	<b>15</b>
9.1 PmmC Loader – PmmC Programming Software Tool .....	15
9.2 microUSB – PmmC Programming Hardware Tool.....	15
9.3 Display Initialisation Setup Personality (DISP) – Software Tool.....	15
9.4 Graphics Composer – Software Tool.....	15
9.5 FONT Tool – Software Tool.....	16
9.6 FAT Controller – Software Test Tool.....	16
9.7 RMPET – Software Tool.....	16
9.8 Expansion Board : P1-EB.....	17
<b>10. Mechanical Details.....</b>	<b>18</b>
<b>11. Reference Design.....</b>	<b>19</b>
<b>12. Specifications and Ratings.....</b>	<b>21</b>
<b>Proprietary Information.....</b>	<b>23</b>
<b>Disclaimer of Warranties &amp; Limitation of Liability.....</b>	<b>23</b>
<b>Contact Information.....</b>	<b>23</b>

**1. Pin Configuration and Summary**



**J3 Pin Outs (User Interface):**

Pin	Symbol	I/O	Description
1	VCC	P	Main Voltage Supply +ve input pin. Reverse polarity protected. Range is 4.0V to 5.5V, nominal 5.0V.
2	TX	O	Asynchronous Serial Transmit pin. Connect this pin to host micro-controller Serial Receive (Rx) signal. The host receives data from the display module via this pin. This pin is tolerant up to 5.0V levels.
3	RX	I	Asynchronous Serial Receive pin. Connect this pin to host micro-controller Serial Transmit (Tx) signal. The host transmits commands and data to the display module via this pin. This pin is tolerant up to 5.0V levels.
4	GND	P	Supply Ground.
5	RESET	I	Master Reset signal. Internally pulled up to 3.3V via a 4.7K resistor. An active Low pulse greater than 2 micro-seconds will reset the module. If the module needs to be reset externally, only use open collector type circuits. This pin is not driven low by any internal conditions. The host should control this pin via one of its port pins using an open collector/drain arrangement.

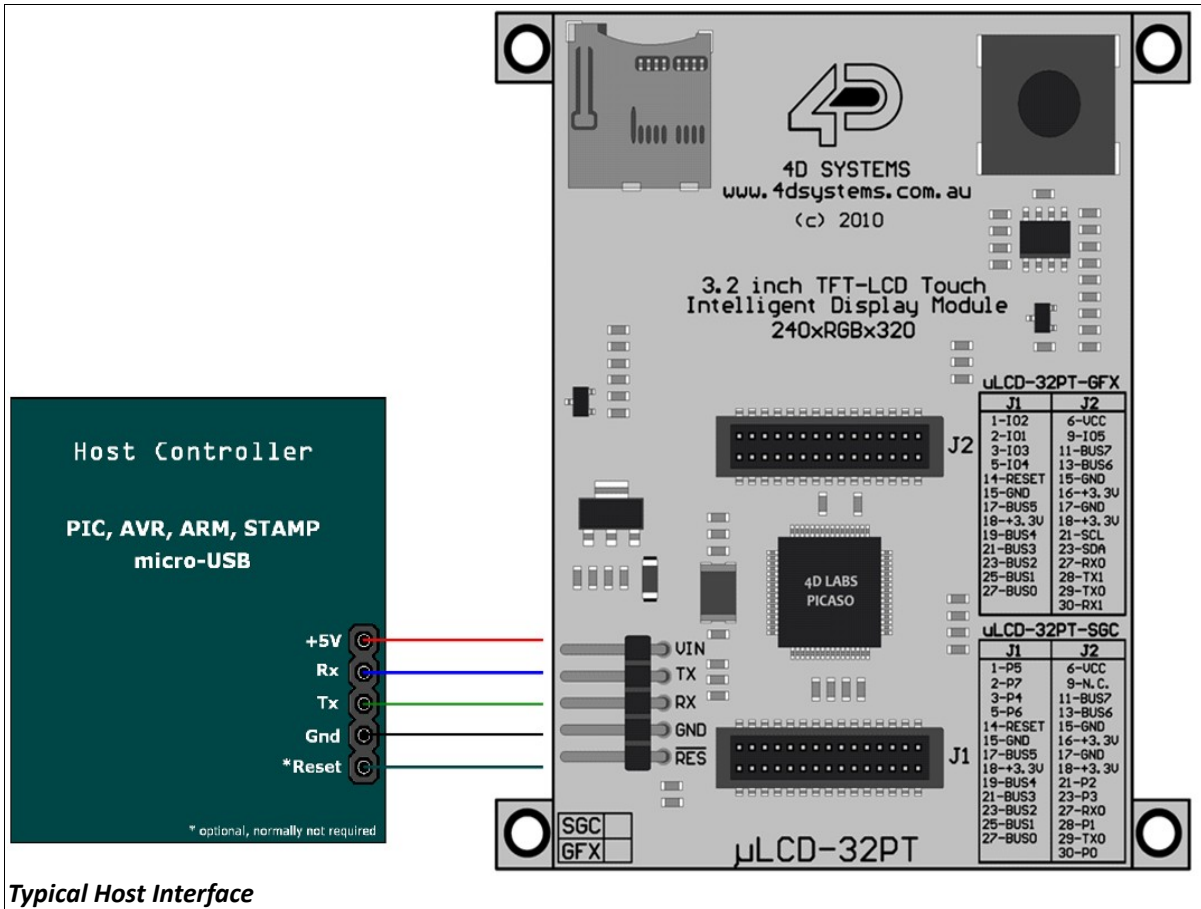
**J2 Pin Outs (Expansion Port):**

Pin	Symbol	I/O	Description
6	VCC	P	Main Voltage Supply +ve input pin. Same connection as <b>J3, pin 1.</b>
11	P15/BUS7	I/O	PICASO-SGC chip General Purpose I/O Port, bit 15. This pin is also the bit 7 of Parallel IO Bus (BUS0..7). This pin is 5.0V tolerant.
13	P14/BUS6	I/O	PICASO-SGC chip General Purpose I/O Port, bit 14. This pin is also the bit 6 of Parallel IO Bus (BUS0..7). This pin is 5.0V tolerant.
15, 17	GND	P	Supply Ground.
16, 18	3.3V	P	Regulated 3.3 Volts output, available current max 400mA..
21	P2	I/O	PICASO-SGC chip General Purpose I/O Port, bit 2. This pin is 5.0V tolerant.
23	P3	I/O	PICASO-SGC chip General Purpose I/O Port, bit 3. This pin is 5.0V tolerant.
27	RX	I	Asynchronous Serial Receive pin. Same connection as <b>J3, pin 3.</b>
28	P1	I/O	PICASO-SGC chip General Purpose I/O Port, bit 1. This pin is 5.0V tolerant.
29	TX	O	Asynchronous Serial Transmit pin. Same connection as <b>J3, pin 2.</b>
30	P0	I/O	PICASO-SGC chip General Purpose I/O Port, bit01. This pin is 5.0V tolerant.
NC	NC	--	Following Pins are Not Used: 1, 2, 3, 4, 5, 7, 8, 9, 10, 12, 14, 19, 20, 22, 24

**J1 Pin Outs (Expansion Port):**

Pin	Symbol	I/O	Description
1	P5	I/O	PICASO-SGC chip General Purpose I/O Port, bit5. This pin is 5.0V tolerant.
2	P7	I/O	PICASO-SGC chip General Purpose I/O Port, bit7. This pin is 5.0V tolerant.
3	P4	I/O	PICASO-SGC chip General Purpose I/O Port, bit4. This pin is 5.0V tolerant.
5	P6	I/O	PICASO-SGC chip General Purpose I/O Port, bit6. This pin is 5.0V tolerant.
14	RESET	I	Master Reset signal. Same connection as <b>J3, pin 5.</b>
15	GND	P	Supply Ground.
17	P13/BUS5	I/O	PICASO-SGC chip General Purpose I/O Port, bit 13. This pin is also the bit 5 of Parallel IO Bus (BUS0..7). This pin is 5.0V tolerant.
18	3.3V	P	Regulated 3.3 Volts output, available current max 400mA..
19	P12/BUS4	I/O	PICASO-SGC chip General Purpose I/O Port, bit 12. This pin is also the bit 4 of Parallel IO Bus (BUS0..7). This pin is 5.0V tolerant.
21	P11/BUS3	I/O	PICASO-SGC chip General Purpose I/O Port, bit 11. This pin is also the bit 3 of Parallel IO Bus (BUS0..7). This pin is 5.0V tolerant.
23	P10/BUS2	I/O	PICASO-SGC chip General Purpose I/O Port, bit 10. This pin is also the bit 2 of Parallel IO Bus (BUS0..7). This pin is 5.0V tolerant.
25	P9/BUS1	I/O	PICASO-SGC chip General Purpose I/O Port, bit 9. This pin is also the bit 1 of Parallel IO Bus (BUS0..7). This pin is 5.0V tolerant.
27	P8/BUS0	I/O	PICASO-SGC chip General Purpose I/O Port, bit 8. This pin is also the bit 0 of Parallel IO Bus (BUS0..7). This pin is 5.0V tolerant.
NC	NC	--	Following Pins are Not Used: 4, 6, 7, 8, 9, 10, 11, 12, 13, 16, 20, 22,24,26,28,29,30

I: Input, O: Output, A: Analogue, P: Power



## 2. Hardware Interface - Pins

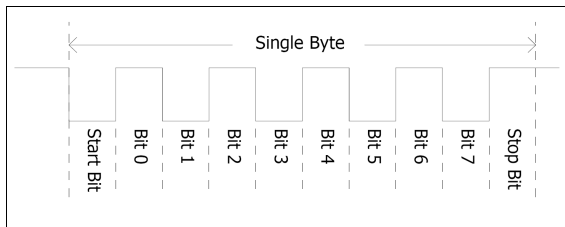
The uLCD-32PT(SGC) display module provides both a hardware and a software interface to its host. This section describes in detail the hardware interface pins.

### 2.1 Serial Interface - UART

The uLCD-32PT(SGC) modules have a dedicated hardware UART that can communicate with a host micro-controller via its serial port. This is the main interface used by the host micro-controller to communicate with the uLCD module to send commands and receive back data. The primary features are:

- Full-Duplex 8 bit data transmission and reception through the TX and RX pins.
- Data format: 8 bits, No Parity, 1 Stop bit.
- Baud rates from 300 baud up to 256K baud (default 9600 baud).

A single byte serial transmission consists of the start bit, 8-bits of data followed by the stop bit. The start bit is always 0, while a stop bit is always 1. The LSB (Least Significant Bit, Bit 0) is sent out first following the start bit. Figure below shows a single byte transmission timing diagram.



The Serial port is also the primary interface for updating and programming the on board PICASO-SGC processor with PmmC files for future serial command upgrades and enhancements. Please refer to **Section 6. Programming-System Updates** for more details.

#### **TX (Serial Transmit), J3 pin 2, J2 pin 29:**

Asynchronous Serial port Transmit pin, TX. Connect this pin to host micro-controller Serial Receive (Rx) signal. The host receives data from

the uLCD module via this pin. This pin is 5.0V tolerant.

#### **RX (Serial Receive), J3 pin 3, J2 pin 27:**

Asynchronous Serial port Receive pin, RX. Connect this pin to host micro-controller Serial Transmit (Tx) signal. The host transmits data to the uLCD module via this pin. This pin is 5.0V tolerant.

### 2.2 GPIO - General Purpose IO Interface

There are 16 general purpose Input/Output (GPIO) pins available to the host controller via the J1 and J2 connectors. These are grouped as P0..P15. Each individual GPIO pin can be set as an INPUT or an OUTPUT. The upper 8 bits (P8..P15) are also labelled as BUS0..BUS7 and these 8-bits provide a fast parallel data transfer to and from external devices. For detailed usage refer to the separate document titled:

**'PICASO-SGC-COMMANDS-SIS.pdf'**.

#### **P0-P15 (16 x GPIO pins), J1/J2:**

General purpose I/O pins. Each pin can be individually set for INPUT or an OUTPUT. Power-Up Reset default is all INPUTS.

#### **BUS0-BUS7 (8bit GPIO Bus), J1/J2:**

8-bit parallel general purpose I/O Bus.

**Note:** All GPIO pins are 5.0V tolerant.

### 2.3 System Pins

#### **VCC (Module Voltage Input), J3 pin 1, J2 pin6:**

Module supply voltage input pin. This pin must be connected to a regulated supply voltage in the range of 4.0 Volts to 5.5 Volts DC. Nominal operating voltage is 5.0 Volts.

#### **3.3Vout (3.3V Regulated Output), J2 pins 16/18:**

External circuitry that requires a regulated 3.3V supply can be powered up via this pin. Maximum available current is 400ma.



**GND (Module Ground), J3 pin 4, J2 pins 15/17:**

Device ground pins. These pins must be connected to ground.

**RESET (Module Master Reset), J3 pin 5, J1 pin 14:**

Module Master Reset pin. An active low pulse of greater than 2 micro-seconds will reset the module. Internally pulled up to 3.3V via 4.7K resistor. Only use open collector type circuits to reset the device if an external reset is required.

### 3. Software Interface - Commands

The software interface provided by the uLCD-32PT(SGC) module is a set of easy to use serial commands. The command set is grouped into following sections:

**General Commands:**

- AutoBaud
- Set new Baud-Rate
- Version-Device Info Request
- Replace Background Colour
- Clear Screen
- Display Control Functions
- Set Volume
- Sleep (Low Power Mode)
- Read GPIO Pin
- Write GPIO Pin
- Read GPIO Bus
- Write GPIO Bus

**Graphics Commands:**

- Add User Bitmap Character
- Draw User Bitmap Character
- Draw Circle
- Draw ellipse
- Draw Triangle
- Draw Rectangle
- Draw Image-Icon
- Set Background colour
- Draw Line
- Draw Pixel
- Draw Polygon
- Read Pixel
- Screen Copy-Paste
- Replace colour
- Set Pen Size

**Text Commands:**

- Set Font
- Set Transparent-Opaque Text
- Draw "String" Text (graphics format)
- Draw ASCII Char (text format)
- Draw "String" Text (text format)
- Draw ASCII Char (graphics format)
- Draw Text Button

**Touch Screen Commands:**

- Get Touch Coordinates
- Detect Touch Region
- Wait Until Touch

**uSD Memory Card Commands (Low-Level/RAW)**

- Initialise Memory Card
- Set Address Pointer of Card
- Read Byte Data from Card
- Write Byte Data to Card
- Read Sector Block from Card
- Write Sector Block to Card
- Screen Copy-Save to Card
- Display Image-Icon from Card
- Display Object from Card
- Display Video-Animation Clip from Card
- Run Script (4DSL) Program from Card

**uSD Memory Card Commands (FAT-Level/DOS)**

- Initialise Memory Card
- Read File from Card (FAT)
- Write File to Card (FAT)
- Erase file from Card (FAT)
- List Directory from Card (FAT)
- Screen Copy-Save to Card (FAT)
- Display Image-Icon from Card (FAT)
- Play Audio WAV file from Card (FAT)
- Run Script (4DSL) Program from Card (FAT)

**4DSL - Scripting Language Commands**

- Delay
- Set Counter
- Decrement Counter
- Jump to Address If Counter Not Zero
- Jump to Address
- Exit-Terminate Script Program

For a complete detailed list of commands refer to the separate document titled:

***“PICASO-SGC-COMMANDS-SIS.pdf”***

Each command is made up of a sequence of data bytes. When a command is sent to the module and the operation is completed, the module will always return a response. For a command that has no specific response the module will send back a single acknowledge byte called the ACK (06hex), in the case of success, or NAK (15hex), in the case of failure.

Commands having specific responses may send back varying numbers of bytes, depending upon the command and response. It will take the module a certain amount of time to respond, depending on the command type and the operation that has to be performed. If the display module receives a command that it does not understand it will reply back with a negative acknowledge called the **NAK** (15hex). Since a command is only identified by its *position* in the sequence of data bytes sending incorrect data can result in wildly incorrect operation.

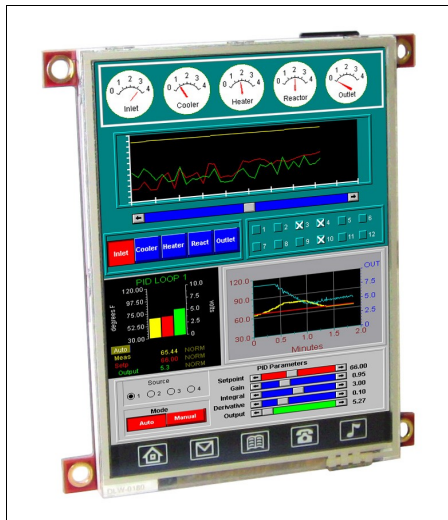
### 4. Module Features

The uLCD-32PT(SGC) module is equipped to accommodate most applications. Some of the main features of the module are listed below.

#### 4.1 The Display – 3.2” TFT

The uLCD-32PT(SGC) module is equipped with a 3.2” TFT display. Details of the display is listed below:

- Screen Size: 3.2” diagonal
- Screen Dimensions: 56 x 77.6 x 3.7mm
- Viewing Area: 48.6mm x 64.8mm
- Integrated Touch Screen
- Brightness: 300 cd/m2
- Contrast Ratio: 250:1
- Viewing Angle: 45 degrees
- 5 x Parallel LEDs for Backlighting



#### 4.2 The PICASO-SGC Processor

The module is designed around the PICASO-SGC Serial Graphics Controller from 4D-Labs.

The **PICASO-SGC** is an intelligent Serial Graphics Controller and the interface to the TFT-LCD displays is almost plug-n-play. All of the data and control signals are provided by the chip to interface directly to the display.

Powerful graphics, text, image, animation and

countless more features are built right inside the chip. It offers a simple yet effective serial interface to any host micro-controller that can communicate via a serial port.



The data sheet for the chip is available from the [www.4dsystems.com.au](http://www.4dsystems.com.au) website: **“PICASO-SGC-DS-revx.pdf”**

#### 4.3 The uSD Memory Card

The module supports micro-SD memory cards via the on-board uSD connector. The memory card is used for all multimedia file retrieval such as images, animations and movie clips. The memory card can also be used as general purpose storage for data logging applications. Support is available for off the shelf micro-SD and high capacity HC memory cards (4Gb and above).

**Note:** The module also supports FAT file formats.

#### 4.4 The Audio

Audio is available via the dedicated PWM signal from the PICASO-SGC. There is an on-board differential amplifier with an 8 Ohm (0.7Watt) speaker. Volume is adjustable (range of 8 to 127) via serial commands. A simple instruction empowers the user to execute the audio WAV files. Audio operation can be carried out simultaneously with the execution of other necessary instructions.

For a complete list of audio commands please refer to the separate document titled '*PICASSO-SGC-COMMANDS-SIS.pdf*'.

**Note:** The on-board speaker is a small surface mount device and is designed to project into an audio cavity. It is not very loud by itself..

#### 4.5 The Touch Screen

The module supports an integrated 4-Wire resistive touch panel.

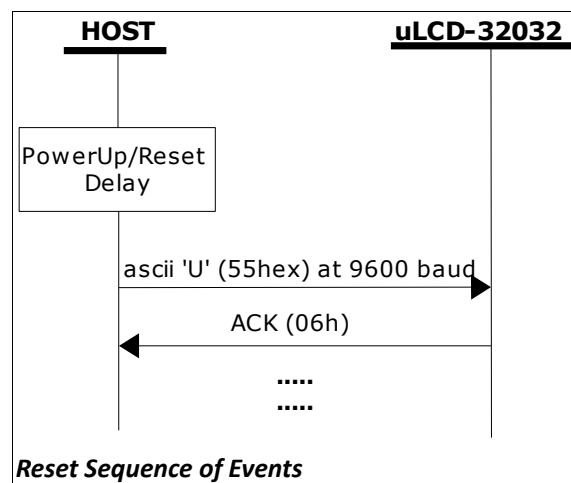
### 5. Power-Up and Reset

When the uLCD-32PT(SGC) comes out of a power up or external reset, a sequence of events must be observed before attempting to communicate with the module:

- Allow up to 500ms delay after power-up or reset for the module to settle. Do not attempt to communicate with the module during this period. The device may send garbage on its TX Data line during this period, the host should disable its Rx Data reception.

**Note:** For applications that utilise memory cards with large capacity, allow up to 3 seconds for the card initialisation.

- The host must send the ascii 'U' (55hex) command at 9600 baud and wait for an ACK (06hex). The default baud rate of the module is 9600 bps and the host must communicate initially with the module at this speed. The "Set new Baud-Rate" command can then be used to change to a different baud-rate if desired.



#### 5.1 Splash Screen on Power Up

The uLCD-32PT(SGC) will wait up to 5 seconds with its screen blank for the host to transmit the Auto-Baud command ('U', 55hex). If the host has

not transmitted the Auto-Baud command by the end of this period the module will display a built-in splash screen. If the host has transmitted the Auto-Baud command, the screen will remain blank. This wait period is for those customer specific applications where the splash screen is undesired.

### 5.2 4DSL Memory Card Script Program

The complete command summary for the PICASO-SGC is listed in the previous section 3 of this document. The command execution is not only limited to the host sending these via the serial interface. The majority of them can be composed as a script and written into memory card. A 4DSL script program is a sequence of those commands that reside and can be executed from inside the memory card and these can be a combination of graphics, text, image, video and audio commands. Complete list of commands available for the scripting program is listed in a separate document titled:

*"PICASO-SGC-COMMANDS-SIS.pdf"*

### 5.3 Auto-Run Card Script Program

The uLCD-32PT(SGC) module has a feature that will auto run a preloaded script program on power-up. The module device is equipped to accept memory cards and when using the FAT file system, upon power-up, if a 4DSL script program file called 'autoexec.4ds' exists on the memory card, the PICASO-SGC will automatically run this script program. This is a useful feature for those stand alone applications where the device does not require a host controller to send commands to the module to play a slide show of images, video clips, etc.

The user will have to create and upload a slide show composition to the card to benefit from this auto play feature.

Refer to 'Section 4: Appendix B' at the end of the separate document titled: *"PICASO-SGC-COMMANDS-SIS.pdf"* for a quick guide to creating scripting files using the FAT-Controller software tool available from 4D Systems.

## 6. Programming - System Updates

The PICASO-SGC, used in the uLCD-32PT(SGC) module, is a custom graphics controller. All functionality including the high level commands are built into the chip. This chip level configuration is available as a PmmC (Personality-module-micro-Code) file.

A PmmC file also contains all of the low level micro-code information (analogy of that of a soft silicon) which define the characteristics and functionality of the device. The ability of programming the device with a PmmC file provides an extremely flexible method of customising as well as upgrading it with future enhancements.

A PmmC file can only be programmed into the module via the serial port and an access to this should be provided for on the target application.

The PmmC file is programmed into the device with the aid of *"PmmC Loader"*, a PC based software tool. To provide a link between the PC and the ICSP interface a USB to Serial converter is required. A range of custom made micro-USB devices such as the uUSB-MB5 and the uUSB-CE5 are available from 4D Systems.

For further details refer to:

'Section 9: Development and Support Tools'.

## 7. Memory Cards – FAT16 Format

The μLCD-32PT(SGC) module uses off the shelf standard microSD memory cards.

For any FAT file related operations, before the memory card can be used it must first be formatted with FAT16 option. The formatting of the card can be done on any PC system with a card reader. Select the appropriate drive and choose the FAT16 (or just FAT in some systems) option when formatting. The card is now ready for use.



The module also support high capacity HC memory cards (4Gb and above). The available capacity of SD-HC cards varies according to the way the card is partitioned and the commands used to access it.

The FAT partition is always first (if it exists) and can be up to the maximum size permitted by FAT16. Windows will format FAT16 up to 2Gb and the Windows command prompt will format FAT16 up to 4Gb.

For the RAW partition, byte reads and writes can access  $2^{32}$  (i.e. 4gb) of the card, Sector reads and writes can access  $2^{24}$  sectors (of 512 bytes, i.e. 8gb).

The total amount of the card usable is the sum of the FAT and RAW partitions.

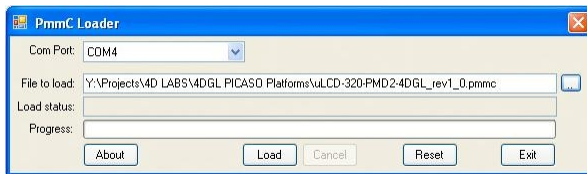
## 8. Display Precautions

- Avoid having to display the same image/object on the screen for lengthy periods of time. This will cause a burn-in which is a common problem with all types of display technologies. Blank the screen after a while or dim it very low by adjusting the contrast. Better still; implement a screen saver feature.
- Moisture and water can damage the display. Moisture on the surface of a powered display will cause the electrodes to corrode. Wipe off any moisture gently or let the display dry before usage.
- Dirt from fingerprint oil and fat can easily stain the surface of the display. Gently wipe off any stains with a soft lint-free cloth.
- The performance of the display will degrade under high temperature and humidity. Avoid such conditions when storing.
- Do not tamper with the display flex cable that is connected to the control board. This may effect the connection between the display and the driving circuitry and cause failure.
- Displays are susceptible to mechanical shock and any force exerted on the module may result in deformed zebra strips, a cracked display cell and broken back-light
- Always use the mounting holes on the module's printed circuit board to mount the display.

## 9. Development and Support Tools

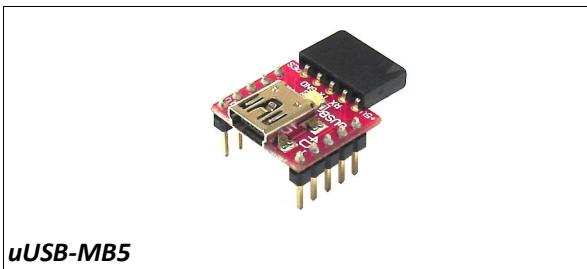
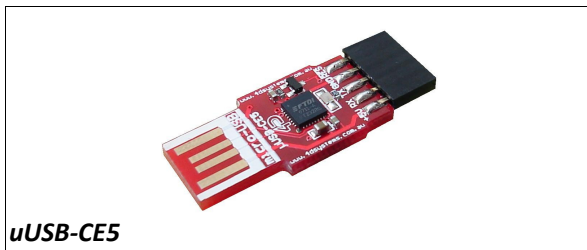
### 9.1 PmmC Loader – PmmC Programming Software Tool

The ‘PmmC Loader’ is a free software tool for Windows based PC platforms. Use this tool to program the latest PmmC file into the PICASO-SGC chip embedded in the uLCD-32PT(SGC) module. It is available for download from the 4D Systems website, [www.4dsystems.com.au](http://www.4dsystems.com.au)



### 9.2 microUSB – PmmC Programming Hardware Tool

The micro-USB module is a USB to Serial bridge adaptor that provides a convenient physical link between the PC and the module. A range of custom made micro-USB devices such as the uUSB-MB5 and the uUSB-CE5 are available from 4D Systems [www.4dsystems.com.au](http://www.4dsystems.com.au). The micro-USB module is an essential hardware tool for all the relevant software support tools to program, customise and test the uLCD-32PT(SGC) module.

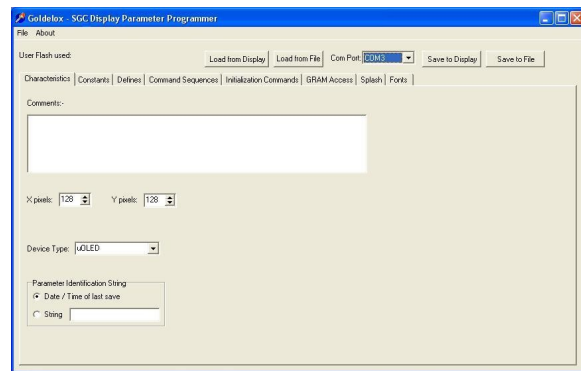


### 9.3 Display Initialisation Setup Personality (DISP) – Software Tool

DISP is a free software tool for Windows based PC platforms. Use this tool to:-

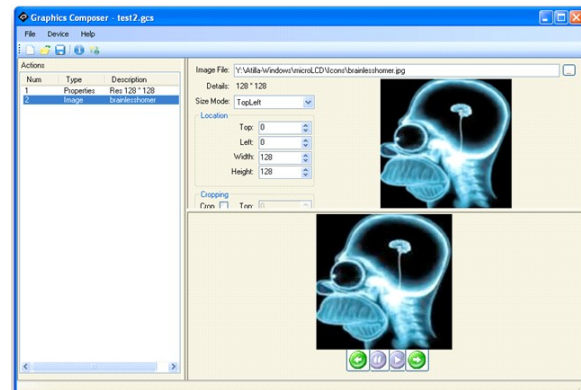
- Configure the PICASO-SGC chip to work with a specific display.
- Modify the way the chip initially sets up the display, e.g. screen saver, brightness, etc.
- Construct the splash screens.
- Replace or modify the embedded fonts.

It is available for download from the 4D Systems website, [www.4dsystems.com.au](http://www.4dsystems.com.au).



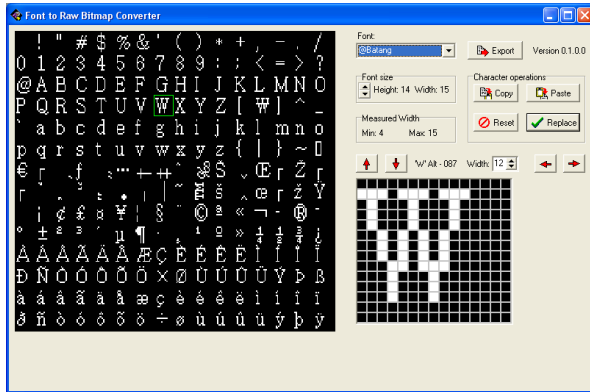
### 9.4 Graphics Composer – Software Tool

The Graphics Composer is a free software tool for Windows. This software tool is an aid to composing a slide show of images/animations/movie-clips (multi-media objects) which can then be downloaded into the uSD memory card. The host simply sends serial commands to the module to display the multimedia objects.



### 9.5 FONT Tool – Software Tool

Font-Tool is a free software utility for Windows based PC platforms. This tool can be used to assist in the conversion of standard Windows fonts (including True Type) into the bitmap fonts used by the PICASO-SGC chip.

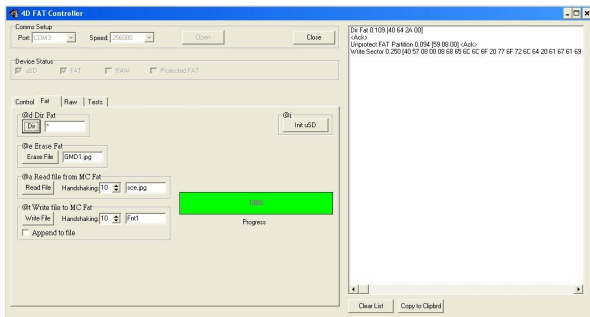


It is available for download from the 4D Systems website, [www.4dsystems.com.au](http://www.4dsystems.com.au).

Disclaimer: Windows fonts may be protected by copyright laws. This software is provided for experimental purposes only.

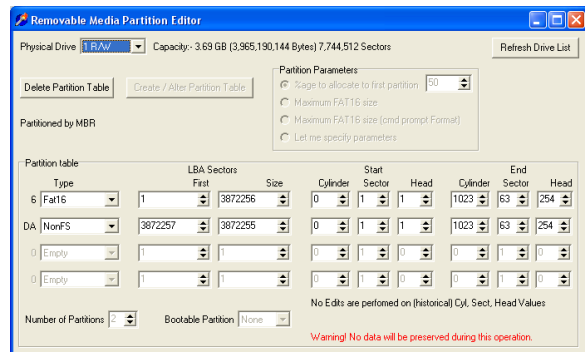
### 9.6 FAT Controller – Software Test Tool

The 4D FAT Controller is a free software tool to test all of the functionality of the GOLDELOX-DOS, GOLDELOX-SGC and the PICASO-SGC devices and their respective modules. It is useful in learning about how to communicate with the chips and the modules. For the GOLDELOX-SGC and the PICASO-SGC it can also simulate most of the operation of the device and assist in the creation of simple scripts, either simulating the execution of those scripts and / or downloading them into a uSD/uSDHC card for execution on the display.



### 9.7 RMPET – Software Tool

uSD/SD/SDHC memory cards nearly always come pre-partitioned with a single partition. Windows only accesses the first partition on the card and ignores any other partitions. Removable Media Partition Edit Tool (RMPET) can split a large card into two partitions, the first partition for use as a FAT16 partition and the second partition for use as a RAW partition. RMPET allows setting of the first partition to a percentage of the card, the 2Gb maximum of the FAT16 Windows format program, or the 4Gb maximum of FAT16 when the command prompt format command is used.

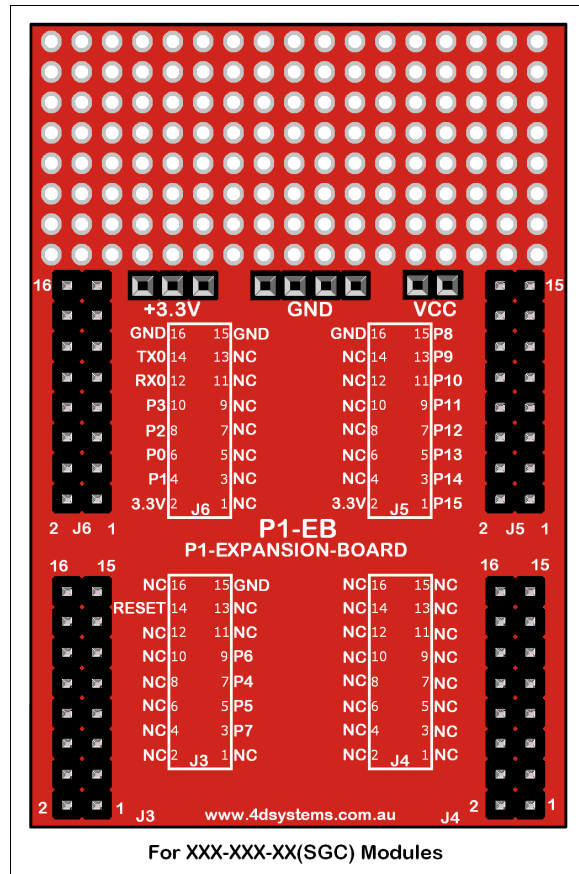
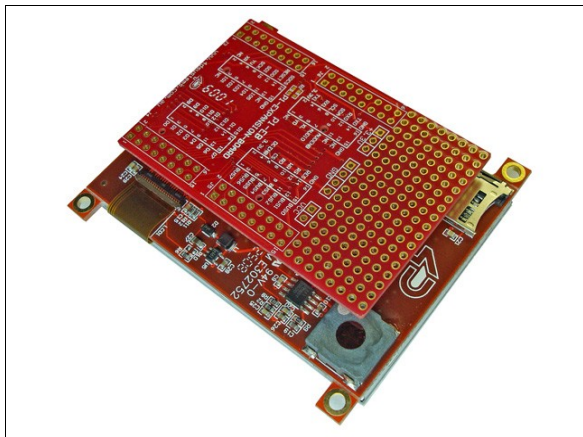
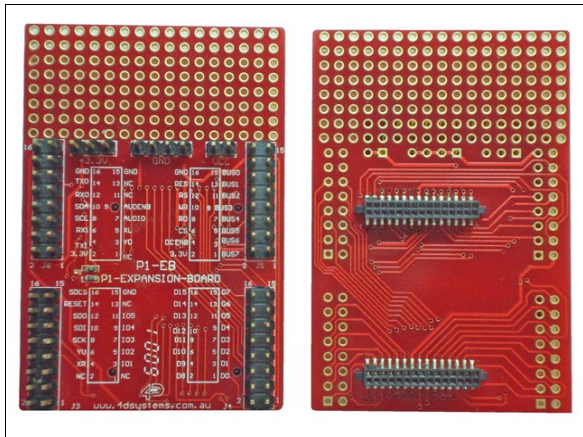


It is available for download from the 4D Systems website, [www.4dsystems.com.au](http://www.4dsystems.com.au).

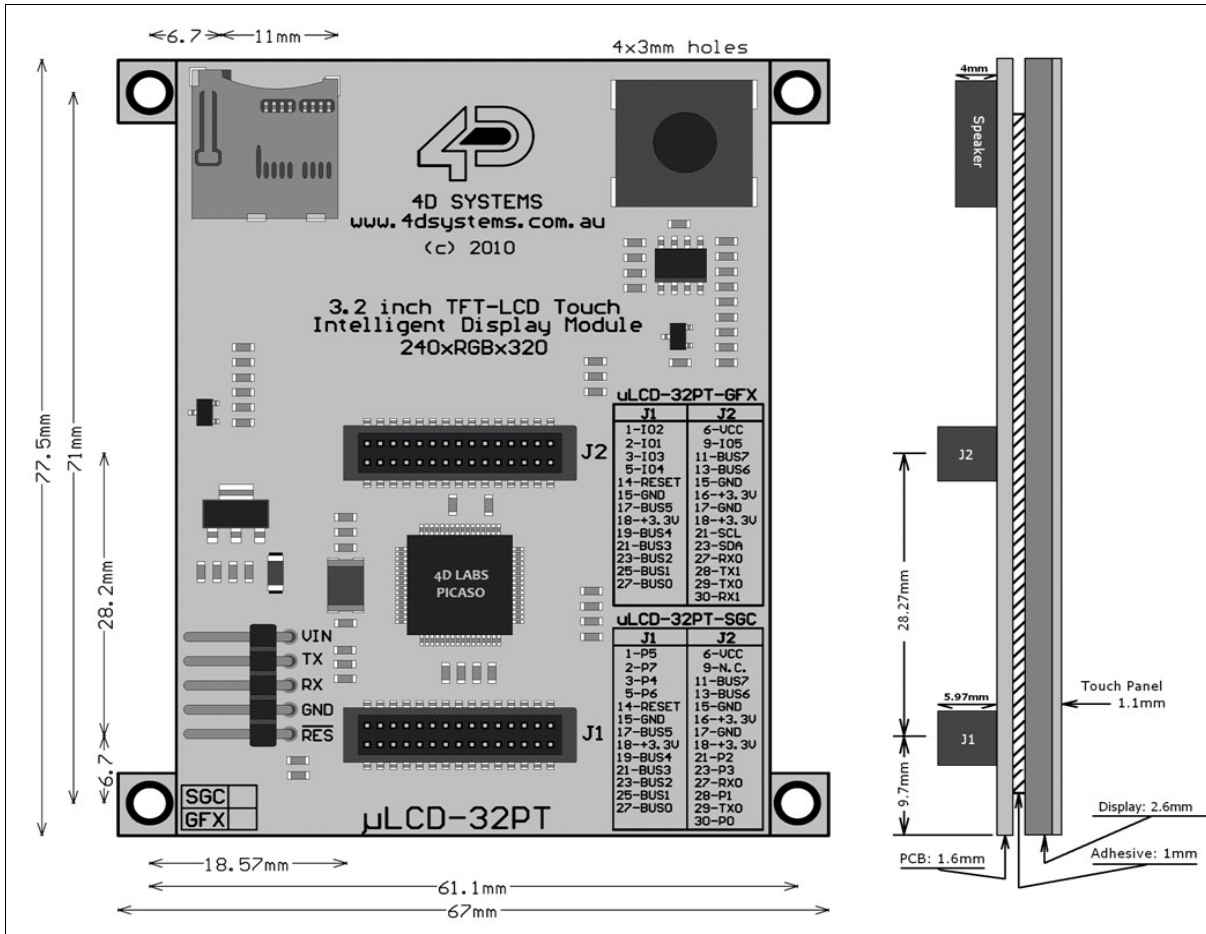


### 9.8 Expansion Board : P1-EB

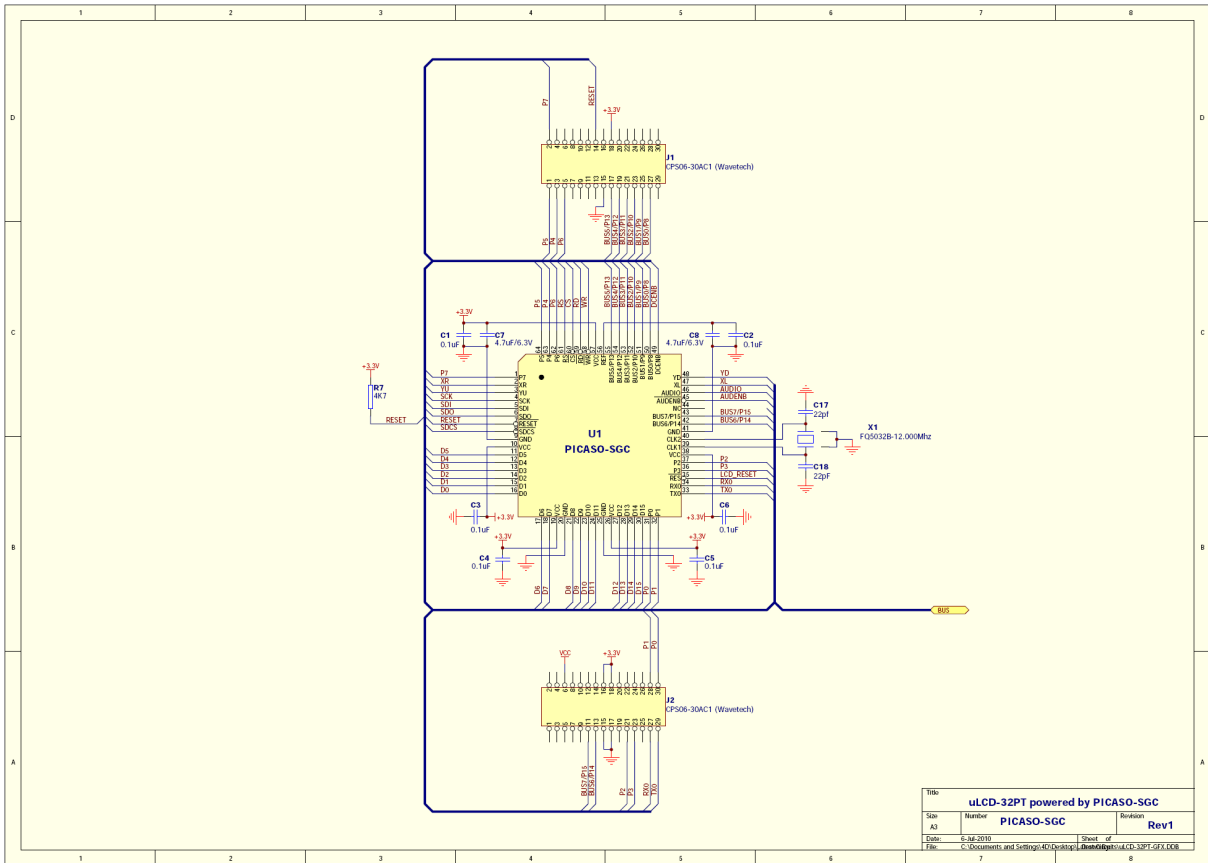
The P1-EB is an Expansion Board for the uLCD-32PT(SGC) module. It provides easy access to all of the general purpose I/O pins of the PICASO-SGC processor.

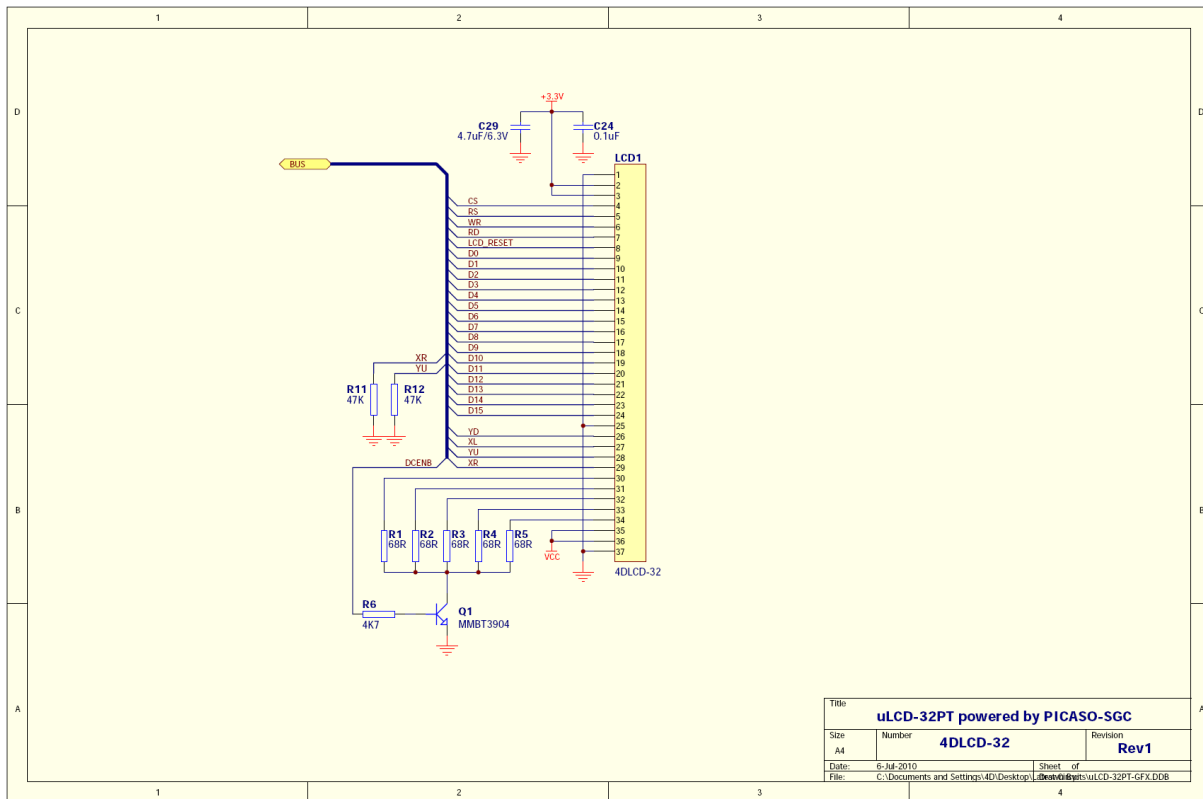
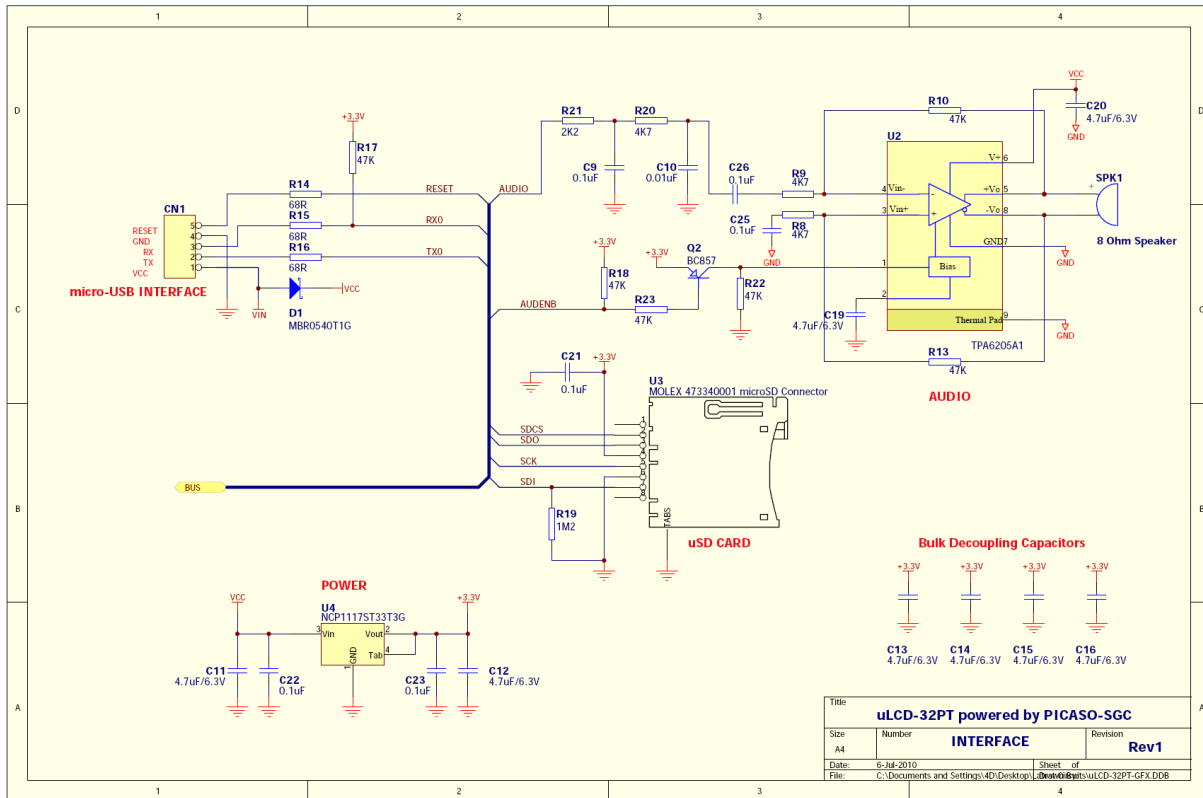


10. Mechanical Details



# 11. Reference Design





**12. Specifications and Ratings**

Absolute Maximum Ratings	
Operating ambient temperature .....	-15°C to +65°C
Storage temperature .....	-30°C to +70°C
Voltage on any digital input pin with respect to GND .....	-0.3V to 6.0V
Voltage on SWITCH pin with respect to GND .....	-0.3V to 6.0V
Voltage on VCC with respect to GND .....	-0.3V to 6.0V
<p><b>NOTE:</b> Stresses above those listed here may cause permanent damage to the device. This is a stress rating only and functional operation of the device at those or any other conditions above those indicated in the recommended operation listings of this specification is not implied. Exposure to maximum rating conditions for extended periods may affect device reliability.</p>	

Recommended Operating Conditions					
Parameter	Conditions	Min	Typ	Max	Units
Supply Voltage (VCC)		4.0	5.0	5.5	V
Operating Temperature		-10	--	+60	°C
Input Low Voltage (VIL)	VCC = 3.3V, all pins	VGND	--	0.2VCC	V
Input High Voltage (VIH)	VCC = 3.3V, non 5V tolerant pins	0.8VCC	--	VCC	V
Input High Voltage (VIH)	All GPIO pins, RX0 and TX0 pins	0.8VCC	--	5.5	V
Reset Pulse	External Open Collector	2.0	--	--	μs
Operational Delay	Power-Up or External Reset	500	--	3000	ms

Global Characteristics based on Operating Conditions					
Parameter	Conditions	Min	Typ	Max	Units
Supply Current (ICC)	VCC = 5.0V, heavily depends on screen usage conditions, sleep mode	4	150	170	mA
Output Low Voltage (VOL)	VCC = 5.0V, IOL = 3.4mA	--	--	0.4	V
Output High Voltage (VOH)	VCC = 5.0V, IOL = -2.0mA	2.4	--	--	V
Capacitive Loading	All pins	--	--	50	pF
Flash Memory Endurance	PICASO-SGC PmmC Programming	--	1000	--	E/W

Touch Screen Characteristics					
Parameter	Conditions	Min	Typ	Max	Units
Linearity		--	--	<1.5	%
Terminal Resistance X	X film side	200	--	850	Ohm
Terminal Resistance Y	Y film side	150	--	580	Ohm
Durability – Scratch Test	Stylus Pen or Finger Sliding	100	--	--	K
Durability – Tap Test	Stylus Pen or Finger Press	1	--	--	Million
Transparency	Non Glare	82	--	--	%

Optical Characteristics						
Parameter		Condition	Min	Typ	Max	Unit
Contrast ratio(Centre point)		Back-light On	150	200	250	-
Luminance of white (Centre point)			200	250	300	Cd/m <sup>2</sup>
White Uniformity			--	--	--	%
Response time	Rising + Falling (Tr + Tf)		12	16	-	ms
Colour Chromaticity (CIE 1931)	White, Wx		0.25	0.275	0.32	
	White, Wy		0.25	0.275	0.32	
	Red, Rx		0.25	0.275	0.32	
	Red, Ry		0.25	0.275	0.32	
	Green, Gx	0.25	0.275	0.32		
	Green, Gy	0.25	0.275	0.32		
	Blue, Bx	0.25	0.275	0.32		
Viewing Angle	Left	Contrast Ratio ≥ 5	-	45	-	Deg
	Right		-	45	-	
	Up		-	50	-	
	Down		-	20	-	

Ordering Information
<p><b>Order Code:</b> uLCD-32PT(SGC)</p> <p><b>Package:</b> 150mm x 95mm (ZIF Bag dimensions).</p> <p><b>Packaging:</b> Module sealed in antistatic padded ZIF bag.</p>

## Proprietary Information

The information contained in this document is the property of 4D Systems Pty. Ltd. and may be the subject of patents pending or granted, and must not be copied or disclosed without prior written permission.

4D Systems endeavours to ensure that the information in this document is correct and fairly stated but does not accept liability for any error or omission. The development of 4D Systems products and services is continuous and published information may not be up to date. It is important to check the current position with 4D Systems.

All trademarks belong to their respective owners and are recognised and acknowledged.

## Disclaimer of Warranties & Limitation of Liability

4D Systems makes no warranty, either express or implied with respect to any product, and specifically disclaims all other warranties, including, without limitation, warranties for merchantability, non-infringement and fitness for any particular purpose.

Information contained in this publication regarding device applications and the like is provided only for your convenience and may be superseded by updates. It is your responsibility to ensure that your application meets with your specifications.

In no event shall 4D Systems be liable to the buyer or to any third party for any indirect, incidental, special, consequential, punitive or exemplary damages (including without limitation lost profits, lost savings, or loss of business opportunity) arising out of or relating to any product or service provided or to be provided by 4D Systems, or the use or inability to use the same, even if 4D Systems has been advised of the possibility of such damages.

Use of 4D Systems' devices in life support and/or safety applications is entirely at the buyer's risk, and the buyer agrees to defend, indemnify and hold harmless 4D Systems from any and all damages, claims, suits, or expenses resulting from such use. No licenses are conveyed, implicitly or otherwise, under any 4D Systems intellectual property rights.

## Contact Information

For Technical Support : [support@4dsystems.com.au](mailto:support@4dsystems.com.au)

For Sales Support : [sales@4dsystems.com.au](mailto:sales@4dsystems.com.au)

Website : [www.4dsystems.com.au](http://www.4dsystems.com.au)

**Copyright 4D Systems Pty. Ltd. 2000-2010.**