

WE CATCH THE  
BEST TECH. FOREVER

# EVERBOUQUET INTERNATIONAL CO., LTD.

Midas Components Ltd - Web: [www.midascomponents.co.uk](http://www.midascomponents.co.uk)  
Tel: 0044 1493 602602 Fax: 0044 1493 665111

PART NO. : MC4002D7-SERIES

FOR MESSRS. : \_\_\_\_\_

## CONTENTS

<i>NO.</i>	<i>ITEM</i>	<i>PAGE</i>
1.	COVER	1
2.	RECORD OF REVISION	2
3.	GENERAL SPECIFICATION	3
4.	MECHANICAL DATA	4
5.	ABSOLUTE MAXIMUM RATINGS	5
6.	ELECTRICAL CHARACTERISTICS	6
7.	OPTICAL CHARACTERISTICS	7
8.	OUTLINE DIMENSION	8
9.	BLOCK DIAGRAM	9
10.	POWER SUPPLY FOR LCM	9

ACCEPTED BY : \_\_\_\_\_

PROPOSED BY : \_\_\_\_\_



## RECORD OF REVISION

DATE	PAGE	SUMMARY
2004/6/10	8/9	ADD the 15th and 16th pins of Interface pin connection.

### 3. General specifications

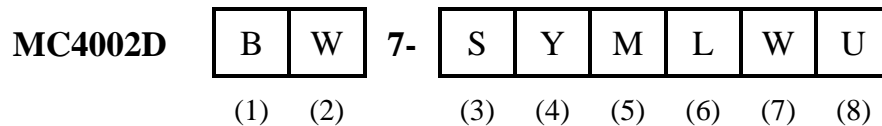
#### 3.1 General specifications

PLEASE REFER TO:

“CUSTOMER ACCEPTANCE STANDARD SPECIFICATIONS (MS-10-0069)”

#### 3.2 This individual specification is prior to general specifications

#### 3.3 NUMBERING SYSTEM



(1).CHARACTER FONTS :

PLEASE REFER TO

“CUSTOMER ACCEPTANCE STANDARD SPECIFICATIONS (MS-10-0069)”

(2).LCM TEMPERATURE :

“nil” : NORMAL TEMP

“W” : WIDE TEMP

(3).LCD TYPE :

“T” : TN TYPE

“S” : STN TYPE

“H” : HTN TYPE

“F” : FSTN TYPE

(4).LCD COLOR :

“Y” : YELLOW-GREEN

“B” : BLUE(STN/NEGATIVE)/BLACK(FSTN/NEGATIVE)

“G” : GRAY

“W” : WHITE(FSTN/POSITIVE)

(5).LCD POLARIZE TYPE

“nil” : TRANSFLECTIVE

“M” : TRANSMISSIVE

(6).BACKLIGHT TYPE :

“L” : LED BACKLIGHT

(7).BACKLIGHT COLOR :

LED TYPE :

“nil” : YELLOW-GREEN

“A” : AMBER

“B” : BLUE

“G” : PURE-GREEN

“O” : ORANGE

“R” : RED

“W” : WHITE

(8). VIEWING DIRECTION :

“nil” : 6 O’CLOCK

“3” : 3 O’CLOCK

“U” : 12 O’CLOCK

“9” : 9 O’CLOCK

#### ***4. Mechanical data***

- (1) NUMBER OF CHARACTERS-----40 CH \* 2 LINE
- (2) MODULE SIZE -----182.0 W \* 33.5 H \* 10.0 T (Max) mm
- (3) EFFECTIVE AREA -----154.0 W \* 15.3 H mm
- (4) CHARACTER PATTERN -----5 \* 7 DOTS + CURSOR
- (5) CHARACTER SIZE-----3.20 W \* 4.85 H mm
- (6) CHARACTER PITCH-----3.70 mm
- (7) DOT SIZE-----0.60 W \* 0.65 H mm
- (8) DOT PITCH -----0.65 W \* 0.70 H mm

## 5. Absolute maximum ratings

### 5.1 Electrical absolute maximum ratings

<i>I T E M</i>	<i>SYMBOL</i>	<i>MIN.</i>	<i>MAX.</i>	<i>UNIT</i>	<i>COMMENT</i>
POWER SUPPLY FOR LOGIC	V <sub>DD</sub> -V <sub>SS</sub>	0	6.0	V	-----
INPUT VOLTAGE	V <sub>I</sub>	V <sub>SS</sub>	V <sub>DD</sub>	V	-----
STATIC ELECTRICITY	-----	-----	100	V	NOTE (1)

NOTE (1): ELECTRO-STATIC DISCHARGE RESISTANCE IS TESTED BY CHARGING A 200PF CAPACITOR AND DISCHARGING IT BY CONTACT WITH A INTERFACE CONNECTOR PIN.

### 5.2 Environmental absolute maximum ratings

<i>I T E M</i>	<i>CONDITION</i>	<i>OPERATING</i>		<i>STORAGE</i>		<i>COMMENT</i>
		<i>MIN.</i>	<i>MAX.</i>	<i>MIN.</i>	<i>MAX.</i>	
AMBIENT TEMPERATURE	NORMAL	0	50	-20	70	-----
	WIDE	-20	70			
HUMIDITY	-----	NOTE (2)		NOTE (2)		NO CONDENSATION
VIBRATION NOTE (3)	-----	-----	0.5G	-----	2G	10~300Hz XYZ DIRECTIONS 1 Hr EACH
SHOCK NOTE (3)	-----	-----	3G	-----	50G	10 msec XYZ DIRECTIONS 1 TIME EACH
CORROSIVE GAS	-----	NOT ACCEPTABLE		NOT ACCEPTABLE		-----

NOTE (2): Ta = 50 : 90% RH MAX.

Ta > 50 : ABSOLUTE HUMIDITY MUST BE LOWER THAN THE HUMIDITY OF 90% RH AT 50 . (80%RH AT 60 )

NOTE (3): 1G = 9.8 m/s<sup>2</sup>

6. Electrical characteristics

$T_a = 25$

$V_{DD} = 5.0V \pm 0.25 V$

<i>I T E M</i>	<i>SYMBOL</i>	<i>CONDITION</i>	<i>MIN.</i>	<i>TYP.</i>	<i>MAX.</i>	<i>UNIT</i>	
INPUT VOLTAGE	V <sub>IH</sub>	-----	2.2	-----	-----	V	
	V <sub>IL</sub>		-----	-----	0.6	V	
OUTPUT VOLTAGE	V <sub>OH</sub>	-I <sub>OH</sub> = 0.2 mA	2.4	-----	-----	V	
	V <sub>OL</sub>	I <sub>OL</sub> = 1.2 mA	-----	-----	0.4	V	
POWER SUPPLY CURRENT	I <sub>DD</sub>	V <sub>DD</sub> = 5.0V	-----	2.0	3.0	mA	
RECOMMENDED LCD DRIVING VOLTAGE, NOTE(1)	V <sub>DD</sub> -V <sub>O</sub>	STN/ FSTN DUTY =1/16 =10° NOTE(2)	Ta=-20°C	-----	4.8	-----	V
			Ta= 0°C	-----	4.7	-----	V
			Ta= 25°C	-----	4.5	-----	V
			Ta= 50°C	-----	4.3	-----	V
			Ta= 70°C	-----	4.2	-----	V
		TN DUTY =1/16 =25° NOTE(2)	Ta=-20°C	-----	4.5	-----	V
			Ta= 0°C	-----	4.4	-----	V
			Ta= 25°C	-----	4.2	-----	V
			Ta= 50°C	-----	4.0	-----	V
			Ta= 70°C	-----	3.9	-----	V
POWER SUPPLY CURRENT FOR LED	I <sub>LED</sub>	V <sub>DD</sub> = 5.0V	-----	30	40	mA	

NOTE (1): RECOMMENDED LCD DRIVING VOLTAGE MAY FLUCTUATE ABOUT ±0.5V BY EACH MODULE.

(2): = 0° : VIEWING DIRECTION AT 6 O’CLOCK  
 = 180° : VIEWING DIRECTION AT 12 O’CLOCK

## 7. Optical characteristics

### TN TYPE LCD

 $T_a = 25$ 
 $V_{DD}-V_O = 4.2V$ 

<i>I T E M</i>	<i>SYMBOL</i>	<i>CONDITION</i>	<i>MIN.</i>	<i>TYP.</i>	<i>MAX.</i>	<i>UNIT</i>	<i>NOTE</i>
VIEWING ANGLE	2- 1	K = 1.4 NOTE(1)	20	30	----	deg.	NOTE(2)
CONTRAST RATIO	K	= 25° NOTE(1)	2.0	3.0	----	----	NOTE(2)
RESPONSE TIME	tr (rise)	= 25° NOTE(1)	----	150	250	ms	NOTE(2)
	tf (fall)	= 25° NOTE(1)	----	150	250	ms	NOTE(2)

### STN TYPE LCD

 $T_a = 25$ 
 $V_{DD}-V_O = 4.5V$ 

<i>I T E M</i>	<i>SYMBOL</i>	<i>CONDITION</i>	<i>MIN.</i>	<i>TYP.</i>	<i>MAX.</i>	<i>UNIT</i>	<i>NOTE</i>
VIEWING ANGLE	2- 1	K = 2.0 NOTE(1)	30	40	----	deg.	NOTE(2)
CONTRAST RATIO	K	= 10° NOTE(1)	3.0	4.0	----	----	NOTE(2)
RESPONSE TIME	tr (rise)	= 10° NOTE(1)	----	200	350	ms	NOTE(2)
	tf (fall)	= 10° NOTE(1)	----	300	400	ms	NOTE(2)

### FSTN, STN BLUE TYPE LCD

 $T_a = 25$ 
 $V_{DD}-V_O = 4.5V$ 

<i>I T E M</i>	<i>SYMBOL</i>	<i>CONDITION</i>	<i>MIN.</i>	<i>TYP.</i>	<i>MAX.</i>	<i>UNIT</i>	<i>NOTE</i>
VIEWING ANGLE	2- 1	K = 2.0 NOTE(1)	30	40	----	deg.	NOTE(2)
CONTRAST RATIO	K	= 10° NOTE(1)	4.0	5.0	----	----	NOTE(2)
RESPONSE TIME	tr (rise)	= 10° NOTE(1)	----	200	350	ms	NOTE(2)
	tf (fall)	= 10° NOTE(1)	----	300	400	ms	NOTE(2)

### Brightness for LCM backlight

<i>SYMBOL</i>	<i>CONDITION</i>	<i>MIN.</i>	<i>TYP.</i>	<i>MAX.</i>	<i>UNIT</i>	<i>LED TYPE</i>	<i>NOTE</i>
B	= 0°	4.0	----	----	cd/m <sup>2</sup>	YELLOW-GREEN, RED AMBER, ORANGE	NOTE(2)
	= 0°	5.0	----	----		BLUE, WHITE, PURE-GREEN	NOTE(3)

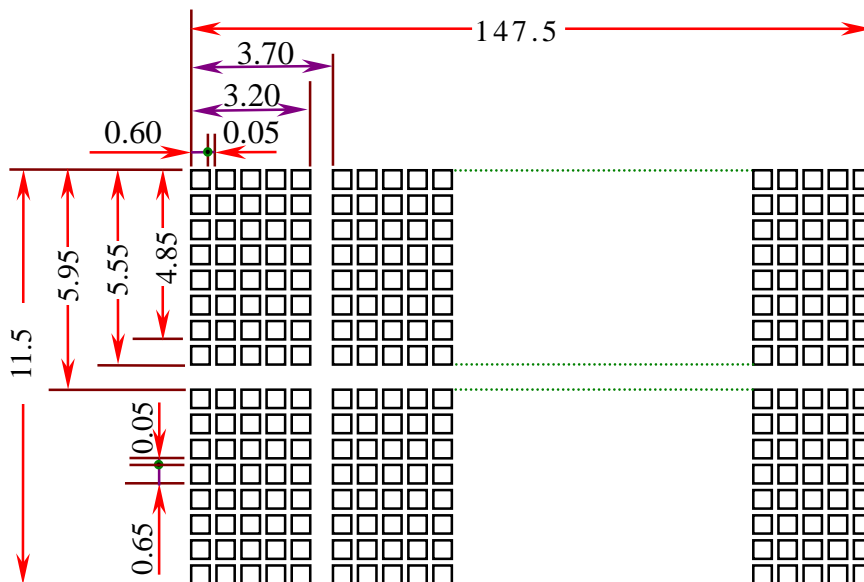
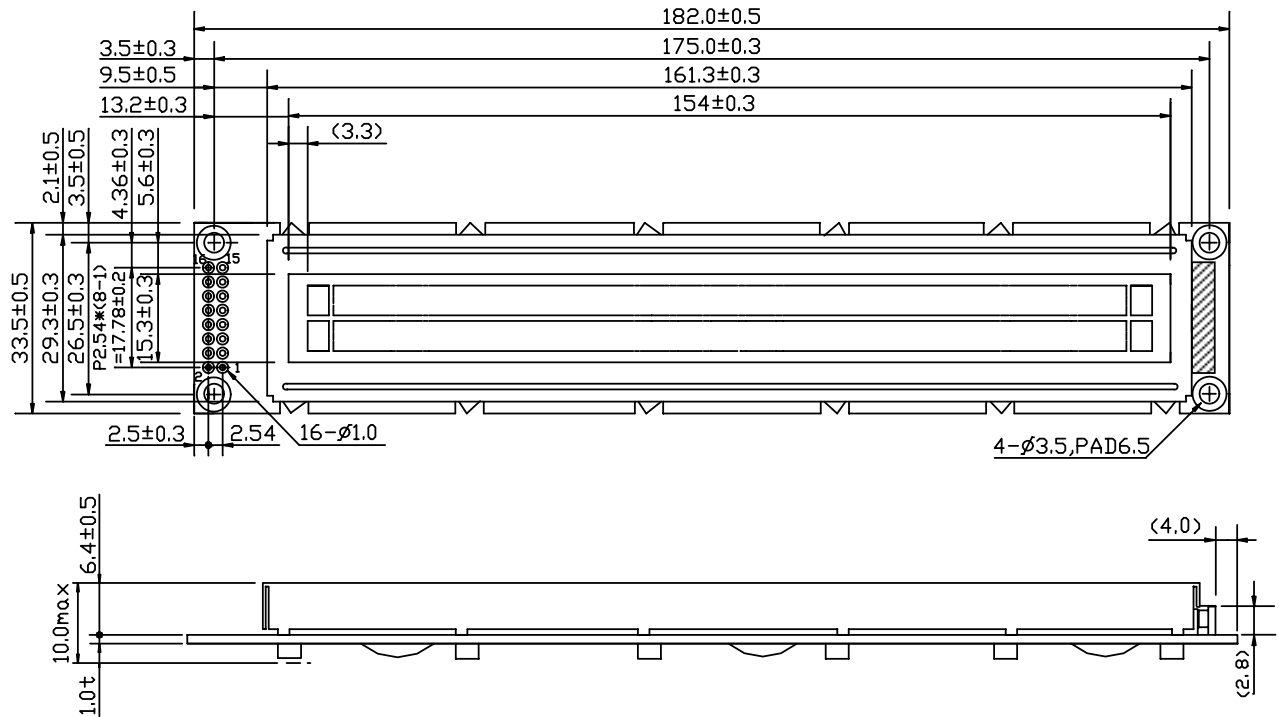
NOTE (1): = 0° : VIEWING DIRECTION AT 6 O'CLOCK

= 180° : VIEWING DIRECTION AT 12 O'CLOCK

NOTE (2): SEE CUSTOMER ACCEPTANCE STANDARD SPECIFICATION FOR DEFINITION OF OPTICAL CHARACTERISTICS.

NOTE (3): UNDER NORMAL TEMPERATURE AND HUMIDITY IN A DARK ROOM.

## 8. Outline dimension



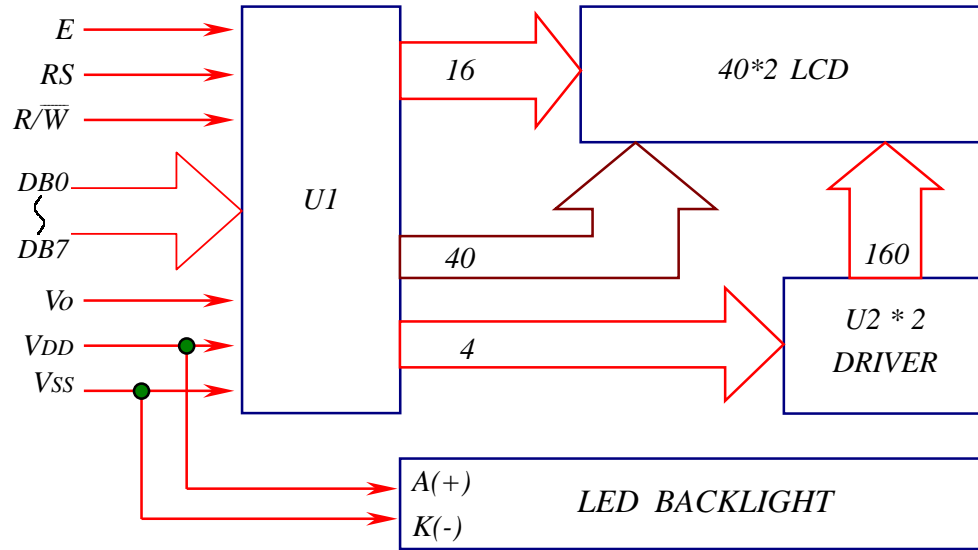
NOTE :  
 1.UNIT : mm  
 2.SCALE : NTS

### Interface pin connection

<b>PIN NO.</b>	<b>1</b>	<b>2</b>	<b>3</b>	<b>4</b>	<b>5</b>	<b>6</b>	<b>7</b>	<b>8</b>
SYMBOL	V <sub>SS</sub>	V <sub>DD</sub>	V <sub>O</sub>	RS	R/ $\bar{W}$	E	DB0	DB1
<b>PIN NO.</b>	<b>9</b>	<b>10</b>	<b>11</b>	<b>12</b>	<b>13</b>	<b>14</b>	<b>15</b>	<b>16</b>
SYMBOL	DB2	DB3	DB4	DB5	DB6	DB7	N.C	N.C



## 9. Block diagram

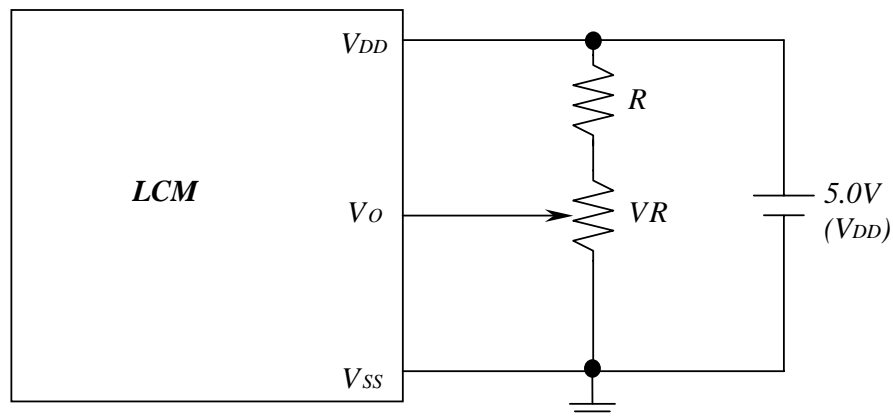


## Display data address charts

Character	1	2	3	4	5	6	7	8	9	10	11	12	13	14	15	16	17	18	19	20
LINE 1	00	01	02	03	04	05	06	07	08	09	0A	0B	0C	0D	0E	0F	10	11	12	13
LINE 2	40	41	42	43	44	45	46	47	48	49	4A	4B	4C	4D	4E	4F	50	51	52	53

Character	21	22	23	24	25	26	27	28	29	30	31	32	33	34	35	36	37	38	39	40
LINE 1	14	15	16	17	18	19	1A	1B	1C	1D	1E	1F	20	21	22	23	24	25	26	27
LINE 2	54	55	56	57	58	59	5A	5B	5C	5D	5E	5F	60	61	62	63	64	65	66	67

## 10. Power supply for LCM



RECOMMENDED RESISTOR R:  $V_{DD}-V_O \quad 1.5V$   
 $V_{DD}-V_O$ : LCD DRIVING VOLTAGE  
 VR: 10K ~20K