




DOCUMENT NUMBER AND REVISION
VL-FS-BTHQ 22005VSS-04 REV. A
(BTHQ 22005VSS-SRE)

DOCUMENT TITLE:
SPECIFICATION
OF
LCD MODULE TYPE

CUSTOMER	DATA MODUL
MODEL NUMBER	BTHQ 22005VSS-04
CUSTOMER APPROVAL	
DATE	

DEPARTMENT	NAME	SIGNATURE	DATE
PREPARED BY	PHILIP CHENG		2002/10/15
CHECKED BY	TOM LEE		2002/10/15
APPROVED BY	CYRUS CHEUNG		2002/10/15

DOCUMENT REVISION HISTORY 1:

DOCUMENT REVISION FROM TO	DATE	DESCRIPTION	CHANGED BY	CHECKED BY
A	2002.10.15	First Release.	PHILIP CHENG	MICHAEL TSE, TOM LEE

CONTENTS

	<u>Page No.</u>
1. GENERAL DESCRIPTION	4
2. MECHANICAL SPECIFICATIONS	4
3. INTERFACE SIGNALS	7
4. ABSOLUTE MAXIMUM RATINGS	8
4.1 ELECTRICAL MAXIMUM RATINGS (Ta=25°C)	8
4.2 ENVIRONMENTAL CONDITION	8
5. ELECTRICAL SPECIFICATIONS	9
5.1 TYPICAL ELECTRICAL CHARACTERISTICS	9
5.2 TIMING SPECIFICATIONS	10
5.3 TIMING DIAGRAM OF VDD AGAINST V0	12
6. CGROM CHARACETR CODE TABLE	13

**Specification
of
LCD Module Type
Item No.: BTHQ 21605VSS-04**

1. General Description

- 20 characters (5x8 dots) x 2 lines STN Positive Yellow Reflective Dot Matrix LCD module.
- Viewing Angle: 6 O'clock direction.
- Driving scheme: 1/16 Duty, 1/5 bias.
- 'SAMSUNG' KS0070BP-00CC (Die form) LCD Controller & Driver or equivalent.
- 'SAMSUNG' KS0065B-PCC (Die form) LCD Segment Driver or equivalent.

2. Mechanical Specifications

The mechanical detail is shown in Fig. 2 and summarized in Table 1 below.

Table 1

Parameter	Specifications	Unit
Outline dimensions	116.0(W) x 37.0(H) x 11.0 MAX.(D)	mm
Effective viewing area	83.0(W) x 18.6(H)	mm
Display format	20 characters x 2 lines	-
Character size	3.20(W) x 5.55(H) (5 x 8 dots)	mm
Character spacing	0.50(W) x 0.40(H)	mm
Character pitch	3.70(W) x 5.95(H)	mm
Dot size	0.628(W) x 0.681(H)	mm
Dot spacing	0.015(W) x 0.015(H)	mm
Dot pitch	0.643(W) x 0.696(H)	mm
Weight:	TBD	grams

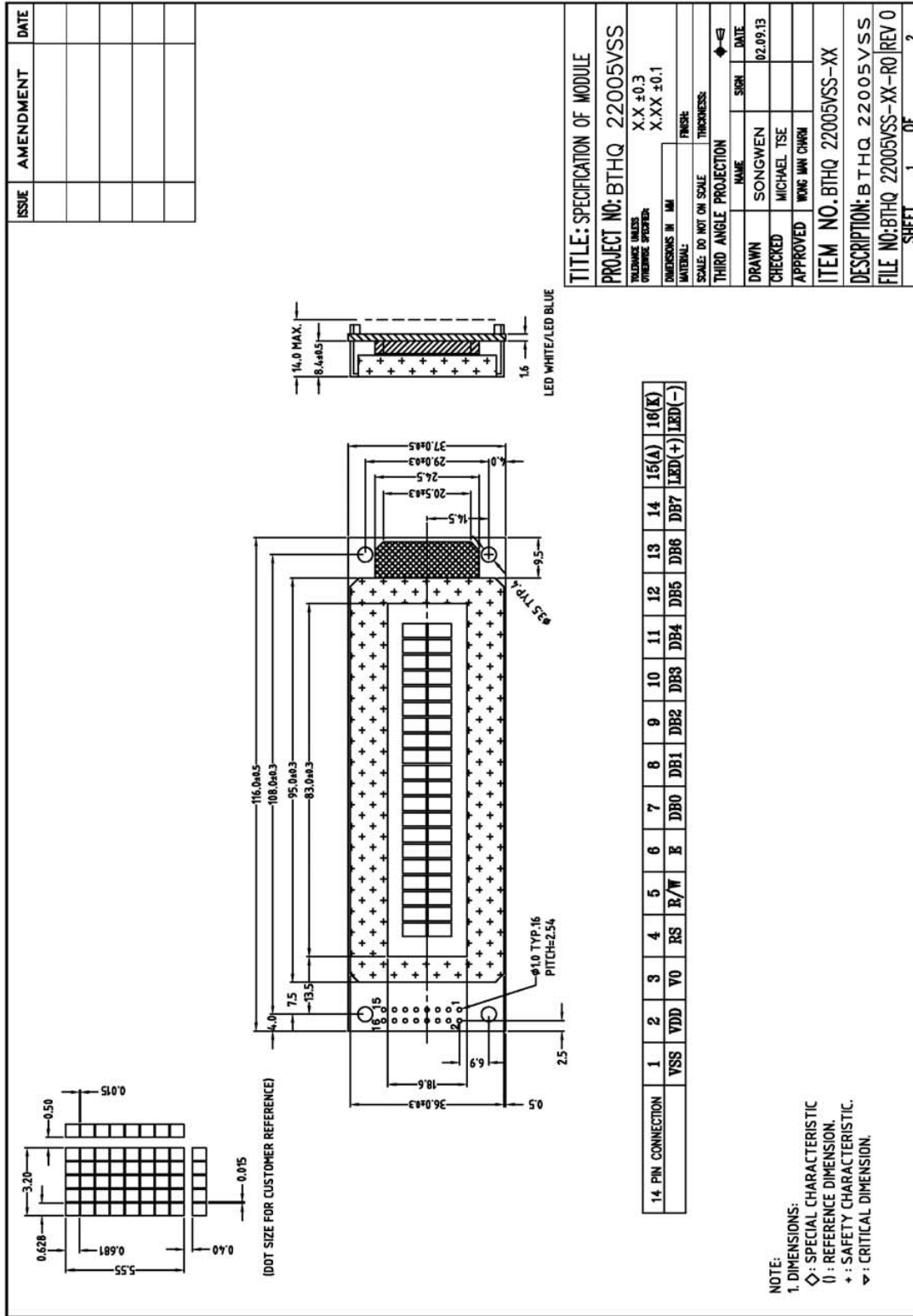


Figure 1: Outline Drawing 1

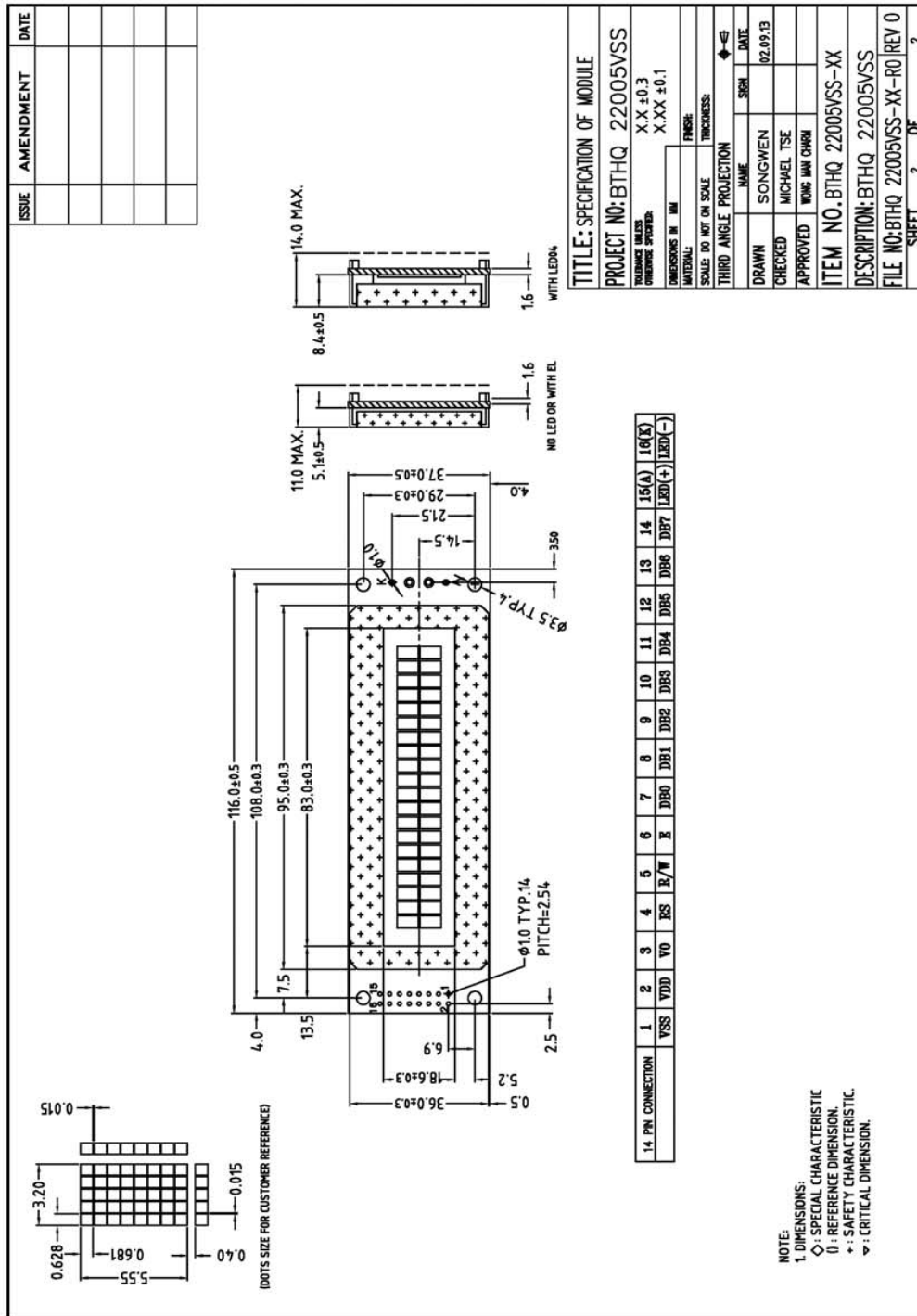


Figure 2: Outline Drawing 2

3. Interface signals

Table 2

Pin No.	Symbol	Description
1	VSS	Ground(0V).
2	VDD	Power supply for logic (+5V)
3	V0	Power supply for LCD driver
4	RS	Register Select Input: "High" for Data register (for read and write) "Low" for Instruction register (for write), Busy flag, address counter (for read)
5	R/W	Read/Write signal: " High" for Read mode. "Low" for Write mode.
6	E	Enable. Start signal for data read /write.
7	DB0	Data input/output (LSB)
8	DB1	Data input/output
9	DB2	Data input/output
10	DB3	Data input/output
11	DB4	Data input/output
12	DB5	Data input/output
13	DB6	Data input/output
14	DB7	Data input/output (MSB)
15(A)	LED(+)	Anode of LED backlight
16(K)	LED(-)	Cathode of LED backlight

4. Absolute Maximum Ratings

4.1 Electrical Maximum Ratings(Ta = 25 °C)

Table 3

Parameter	Symbol	Min.	Max.	Unit
Power Supply voltage (Logic)	VDD - VSS	-0.3	+7.0	V
Power Supply voltage (LCD drive)	VLCD=VDD – V0	-0.3	+15.0	V
Input voltage	Vin	-0.3	VDD +0.3	V

Note:

The modules may be destroyed if they are used beyond the absolute maximum ratings.

All voltage values are referenced to VSS = 0V.

4.2 Environmental Condition

Table 4

Item	Operating Temperature (Topr)		Storage Temperature (Tstg)		Remark
	Min.	Max.	Min.	Max.	
Ambient Temperature	0°C	+50°C	-10°C	+60°C	Dry
Humidity	95% max. RH for Ta ≤ 40°C < 95% RH for Ta > 40°C				no condensation
Vibration (IEC 68-2-6) cells must be mounted on a suitable connector	Frequency: 10 ~ 55 Hz Amplitude: 0.75 mm Duration: 20 cycles in each direction.				3 directions
Shock (IEC 68-2-27) Half-sine pulse shape	Pulse duration : 11 ms Peak acceleration: 981 m/s ² = 100g Number of shocks : 3 shocks in 3 mutually perpendicular axes.				3 directions

5. Electrical Specifications

5.1 Typical Electrical Characteristics

At $T_a = 25\text{ °C}$, $V_{DD} = 5V \pm 5\%$, $V_{SS} = 0V$.

Table 5

Parameter	Symbol	Conditions	Min.	Typ.	Max.	Unit
Supply voltage (Logic)	VDD-VSS		4.75	5.0	5.25	V
Supply voltage (LCD)	VLCD =VDD-V0	VDD =5.0V, Note1.	4.2	4.5	4.8	V
Input signal voltage for E,DB0-DB7,R/W,RS.	V _{IH}	"H" level	2.2	-	VDD	V
	V _{IL}	"L" level	-0.3	-	0.6	V
Supply Current (Logic & LCD)	IDD	Character mode, Note 1	-	1.0	1.5	mA
		Checker board mode, Note 1	-	1.2	1.8	mA
Supply Current (LCD)	I0	Character mode, Note 1	-	0.3	0.5	mA
		Checker board mode, Note 1	-	0.3	0.5	mA

Note (1): There is tolerance in optimum LCD driving voltage during production and it will be within the specified range.

5.2 Timing Specifications

At Ta = 0 °C To +50 °C , VDD = +5V±5%, VSS = 0V.

Refer to Fig. 3, the bus timing diagram for write mode.

Table 6

Parameter	Symbol	Min.	Max.	Unit	Test pin
E cycle time	t _C	500	-	ns	E
E rise time	t _R	-	25	ns	E
E fall time	t _F	-	25	ns	E
E pulse width (High, Low)	t _W	220	-	ns	E
R/W and RS set-up time	t _{SU1}	40	-	ns	R/W,RS
R/W and RS hold time	t _{H1}	10	-	ns	R/W, RS
Data set-up time	t _{SU2}	60	-	ns	DB0-DB7
Data hold time	t _{H2}	10	-	ns	DB0-DB7

Refer to Fig. 4, the bus timing diagram for read mode .

Table 7

Parameter	Symbol	Min.	Max.	Unit	Test pin
E cycle time	t _C	500	-	ns	E
E rise time	t _R	-	25	ns	E
E fall time	t _F	-	25	ns	E
E pulse width	t _W	220	-	ns	E
R/W and RS set-up time	t _{SU}	40	-	ns	R/W,RS
R/W and RS hold time	t _H	10	-	ns	R/W, RS
Data output delay time	t _D	-	120	ns	DB0-DB7
Data hold time	t _{DH}	20	-	ns	DB0-DB7

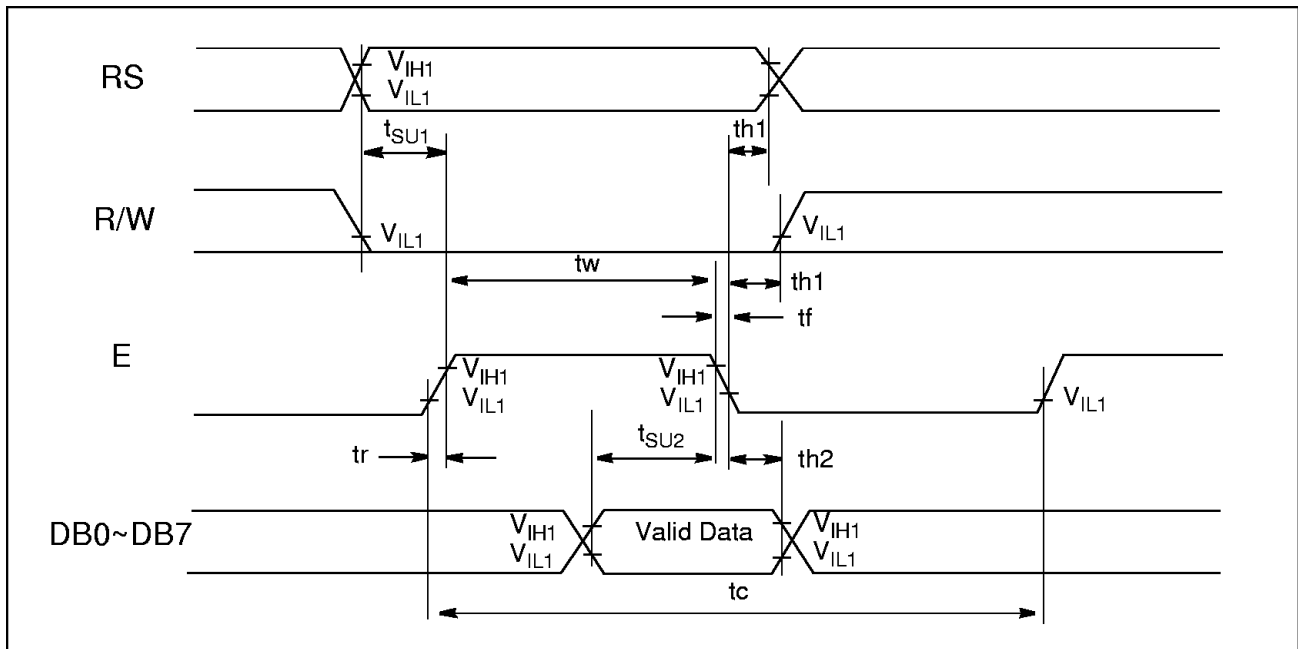


Figure 3: The bus timing diagram for write mode

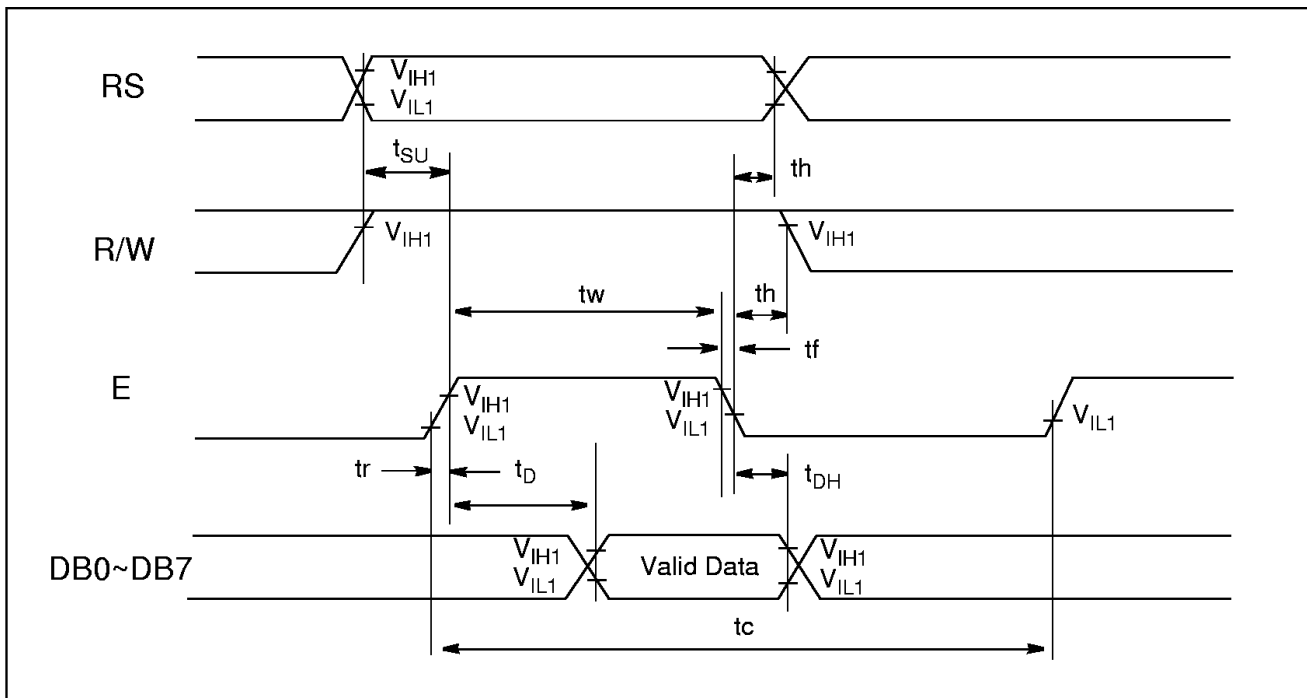


Figure 4: The bus timing diagram for read mode .

5.3 Timing Diagram of VDD against V0.

Power on sequence shall meet the requirement of Figure 5, the timing diagram of VDD against V0.

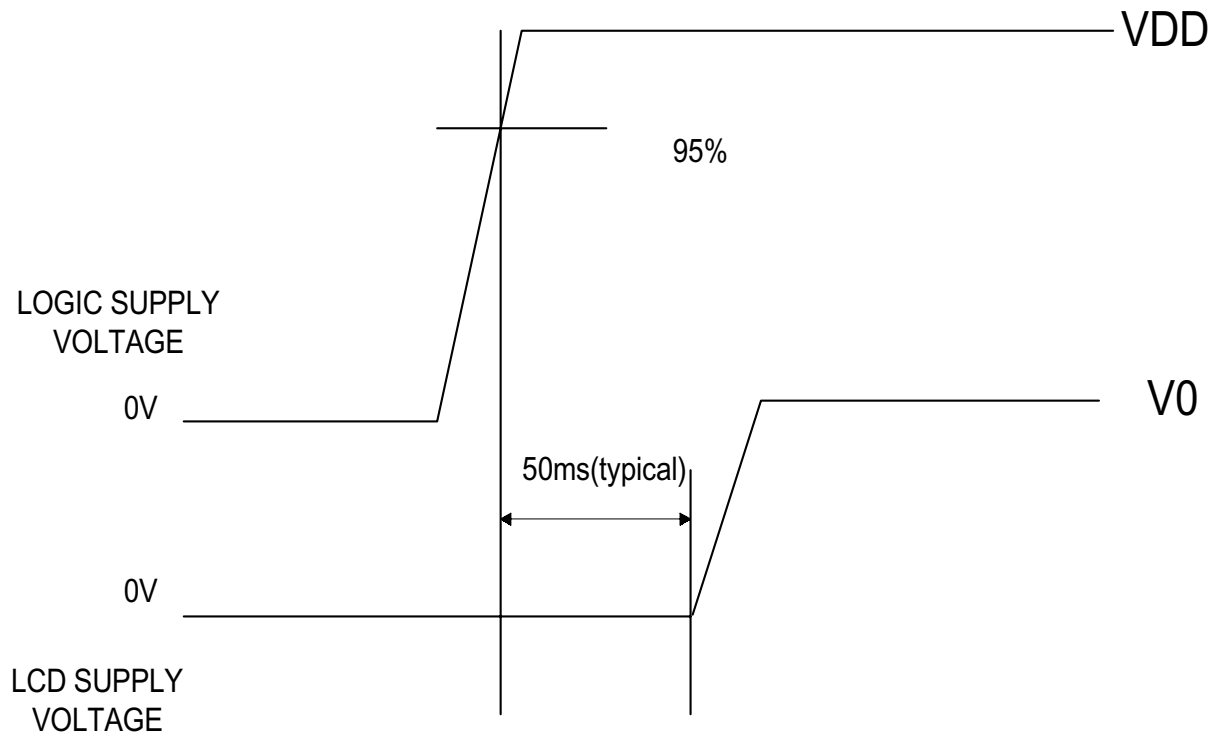


Figure 5: Timing diagram of VDD against V0.

6. CGROM Character Code Table

KS0070B-00															
Upper 4bit Lower 4bit	LLLL	LLHL	LLHH	LHLL	LHLH	LHHL	LHHH	HLLL	HLLH	HLHL	HLHH	HHLL	HHLH	HHHL	HHHH
LLLL	CG RAM (1)														
LLHH	(2)														
LLHL	(3)														
LLHH	(4)														
LHLL	(5)														
LHLH	(6)														
LHHL	(7)														
LHHH	(8)														
HLLL	(1)														
HLLH	(2)														
HLHL	(3)														
HLHH	(4)														
HHLL	(5)														
HHLH	(6)														
HHHL	(7)														
HHHH	(8)														