

REMARKS: 1) \*----- REFER TO COVER PAGE

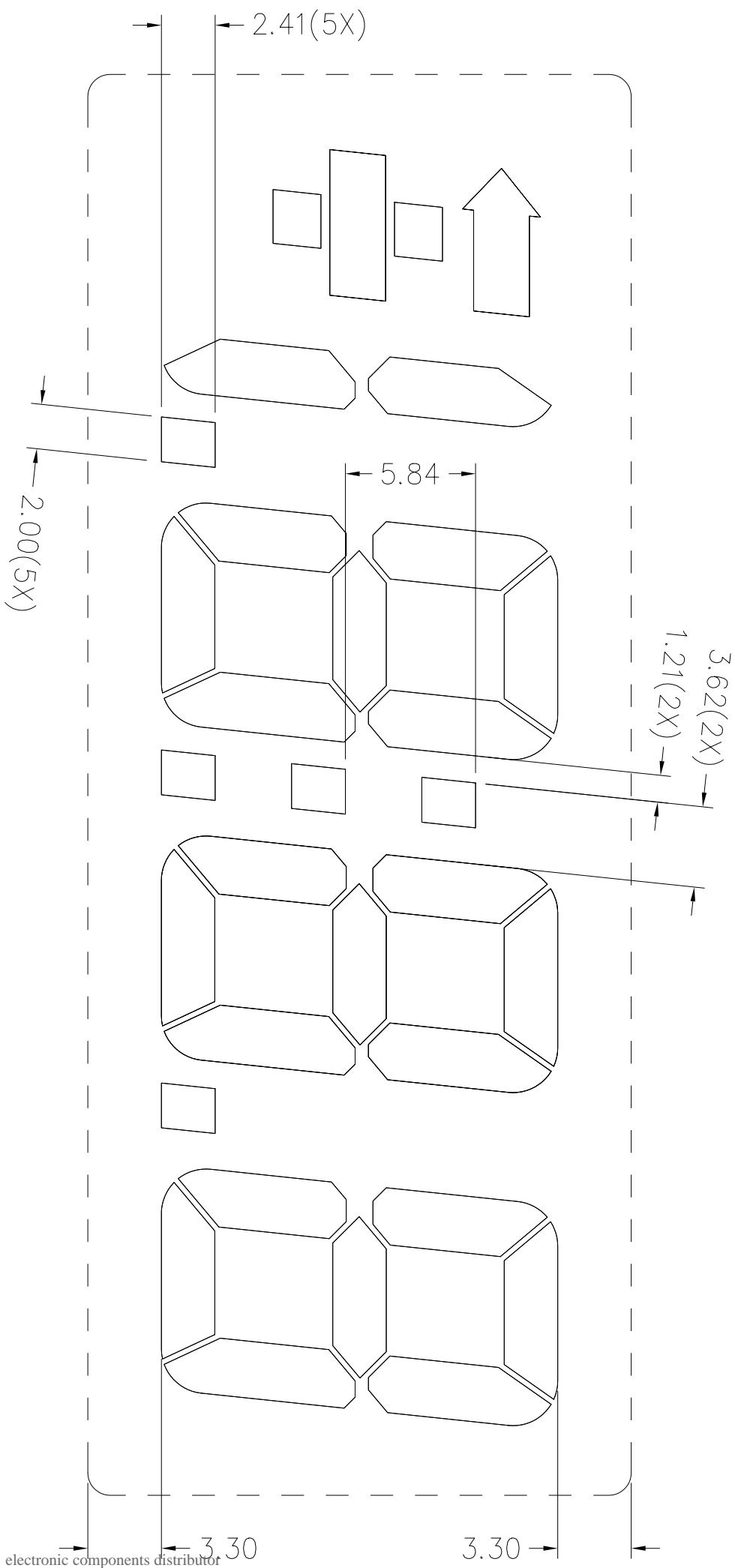
2) \*\*----- X.XX=2.54 (FOR PIN LENGTH ≥ 3.2 & ≤ 10.00mm)

\*\*----- X.XX=1.75 (FOR PIN LENGTH > 10.00 & ≤ 19.50mm)

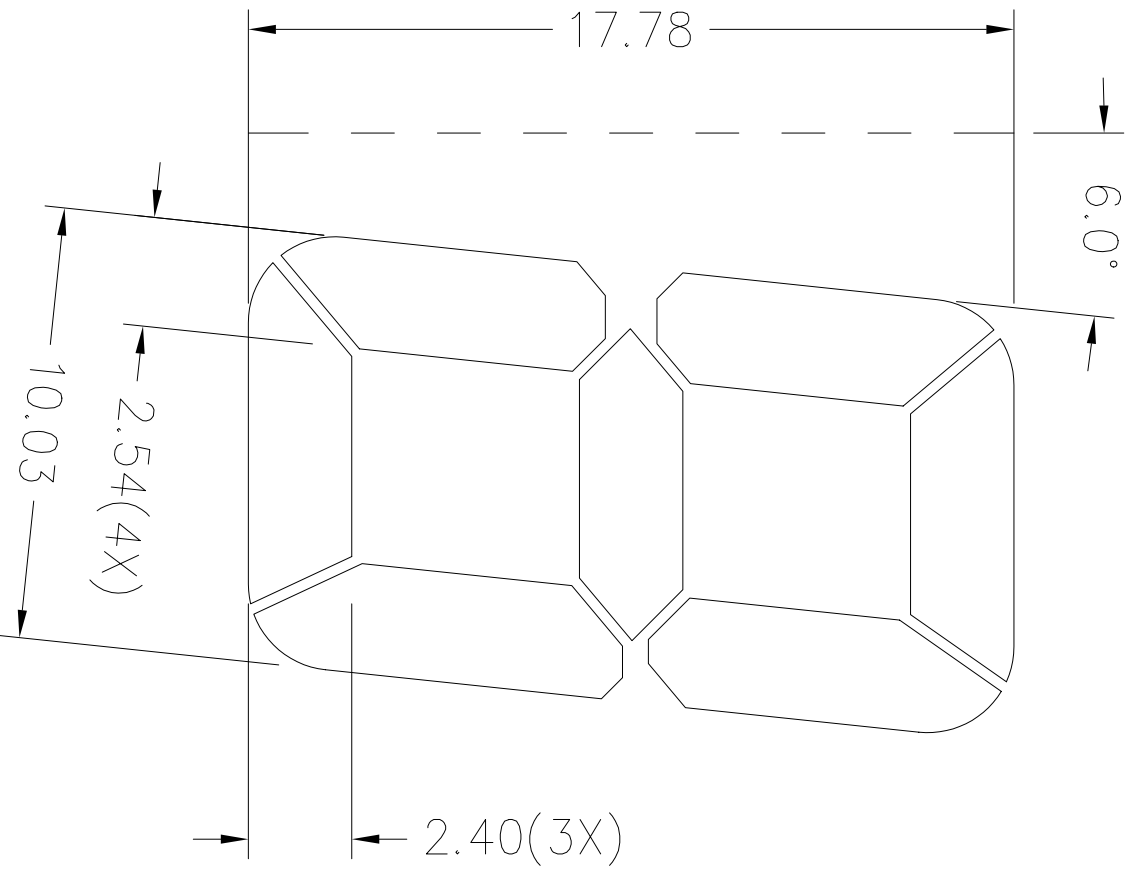
VARITRONIX LTD.		Dimension : mm		TOL : ±0.15 IF NOT SPECIFY		DO NOT SCALE DRAWING	
DWGNO. :	VI-315-110	REV	10	Drawn by :	QING	SIGN :	
		Checked by :	ERIC	SIGN :		Date :	2000-10-09
3 <sup>rd</sup> ANGLE PROJECTION							



DWG.NO.: VI-315-1 (REV.0)

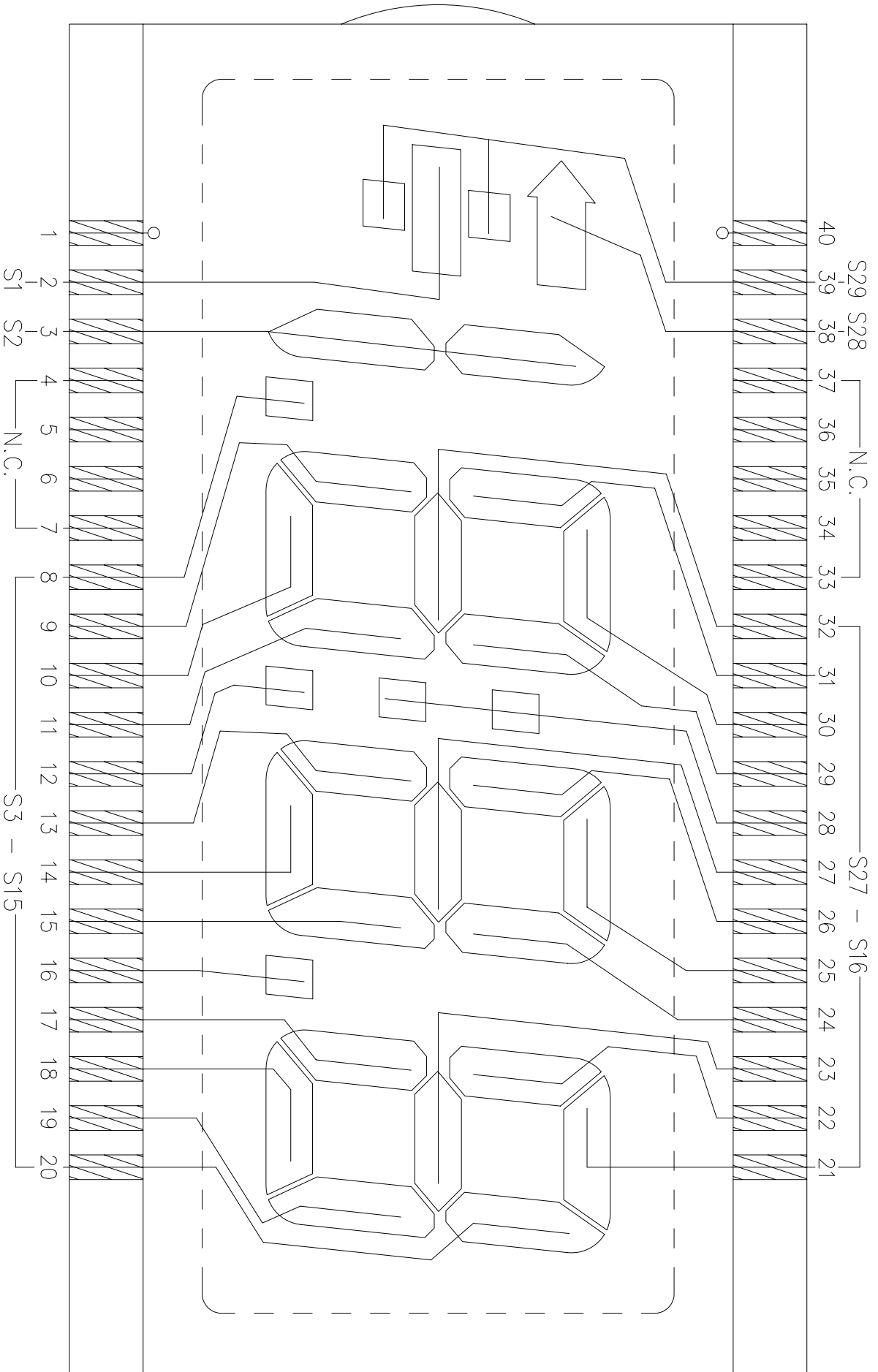


DWG.NO.: VI-315-1 (REV.0)



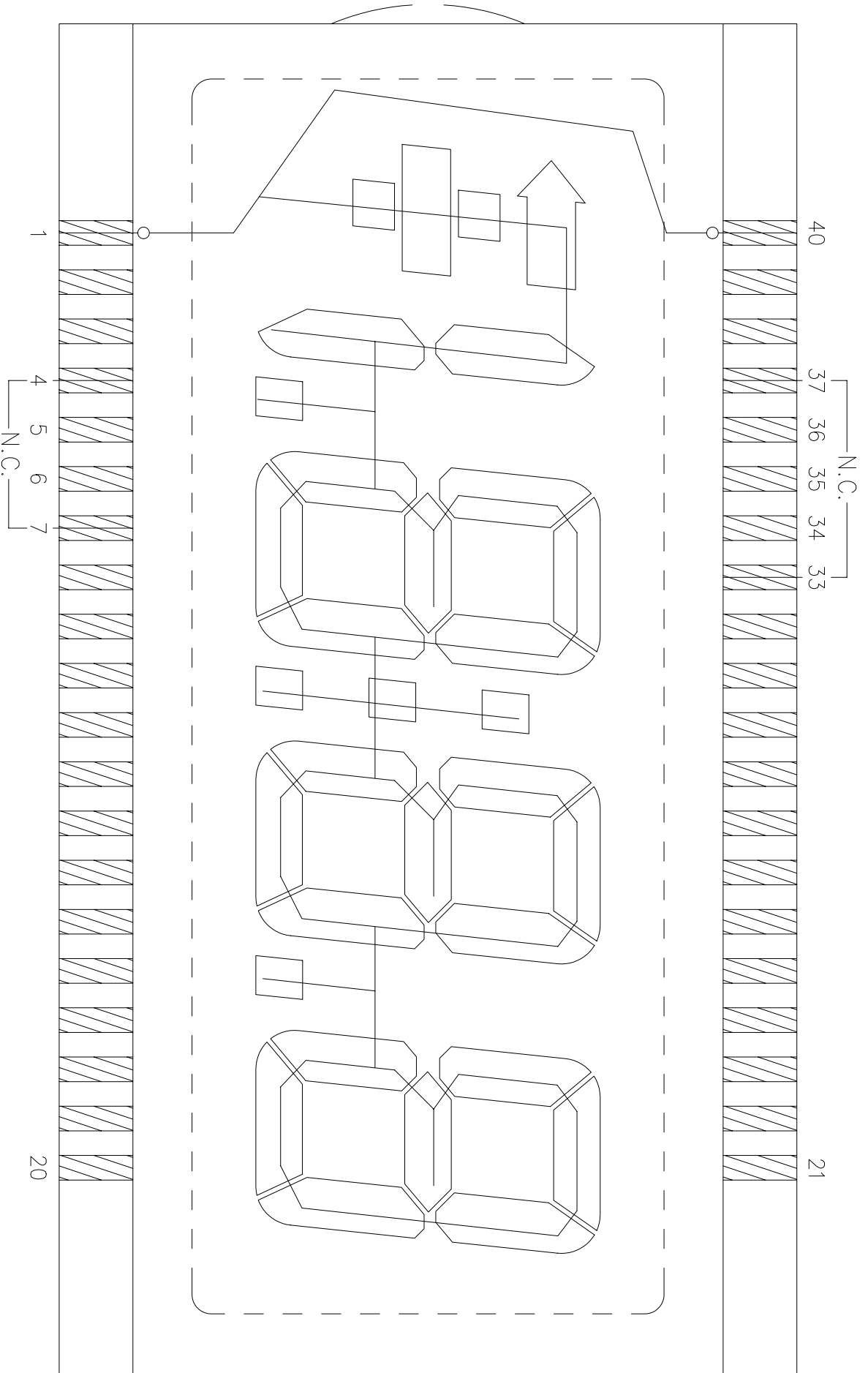
DIGIT 1 - 4

DWG.NO.: VI-315-1 (REV.0)  
 SEGMENT TRACKING



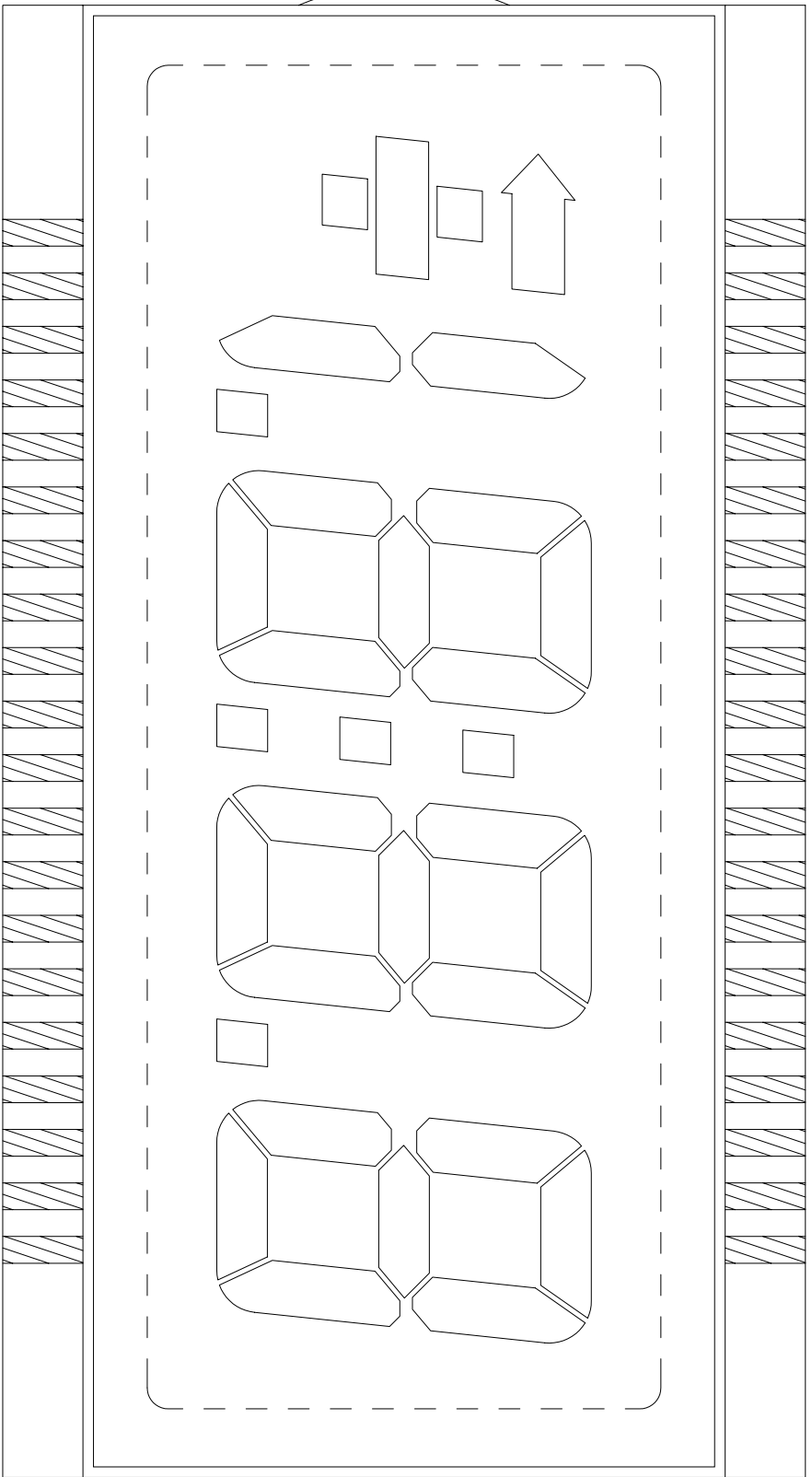
- REMARKS:
- 1) N.C. = NO CONNECTION
  - 2) SAME COMMON SHOULD BE CONNECTED TOGETHER ON P.C.B.

DWG.NO.: VI-315-1 (REV.0)  
COMMON TRACKING



- REMARKS: 1) N.C. = NO CONNECTION  
2) SAME COMMON SHOULD BE CONNECTED TOGETHER ON P.C.B.

DWG.NO.: VI-315-1 (REV.0)

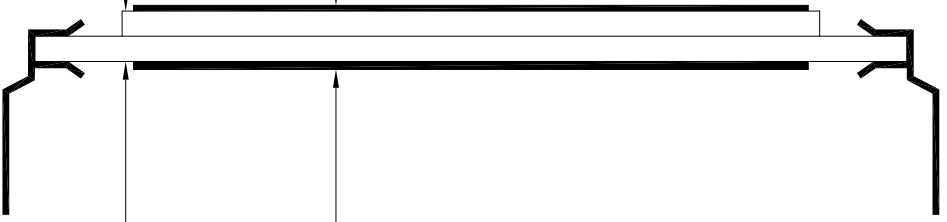


FRONT POLARIZER

FRONT GLASS

BACK GLASS

BACK POLARIZER



DWG.NO.: VI-315-1 (REV.0)

PIN	COM	PIN	COM
1	COM	21	4A
2	X2	22	4F
3	1B,1C	23	4G
4	N.C.	24	3B
5	N.C.	25	3A
6	N.C.	26	3F
7	N.C.	27	3G
8	DP1	28	L
9	2E	29	2B
10	2D	30	2A
11	2C	31	2F
12	DP2	32	2G
13	3E	33	N.C.
14	3D	34	N.C.
15	3C	35	N.C.
16	DP3	36	N.C.
17	4E	37	N.C.
18	4D	38	X1
19	4C	39	X3
20	4B	40	COM

REMARKS: N.C.=NO CONNECTION