

Tyra2 reflector series for Cree MPL series of LEDs



- Specially designed for XLamp MP-L EasyWhite series of LEDs.
- Special care taken to make a uniform visually pleasing illumination.
- Compact dimensions and easy mounting with positioning pins and good automotive quality adhesive tape.
- Reflector material optical grade metal and lacquer coated PC. Allows use of high current and temperature conditions. (130°C/220°F)

LENS TYPE

NAME	ORDERING CODE	FWHM Angle
Tyra2 Spot	CA11475_Tyra2-S-tape	±10°
Tyra2 Medium	CA11476_Tyra2-M-tape	±16°
Tyra2 Wide	CA11477_Tyra2-W-tape	±26°

EULUMDAT & IES FILES AVAILABLE BY REQUEST

© Ledil Oy – PRELIMINARY - Subject to change without prior notice

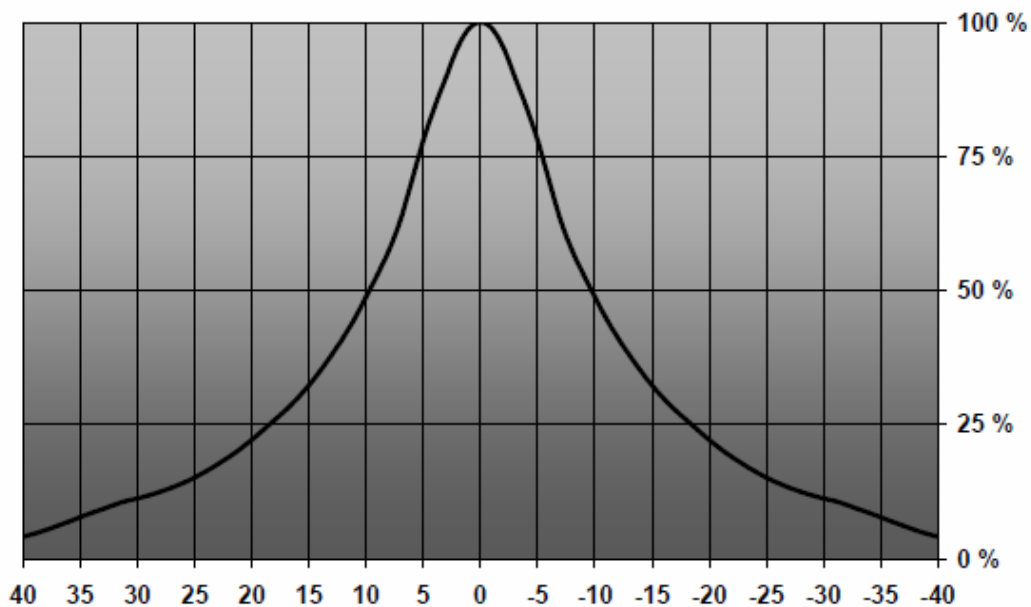
Ledil Oy
Tehdaskatu 13
FIN-24100 SALO, Finland

www.ledil.com
email: ledil@ledil.com
FAX: +358-2-733 8001

2010-06-04

MEASUREMENTS

Relative Intensity of CA11475_Tyra2-S-tape



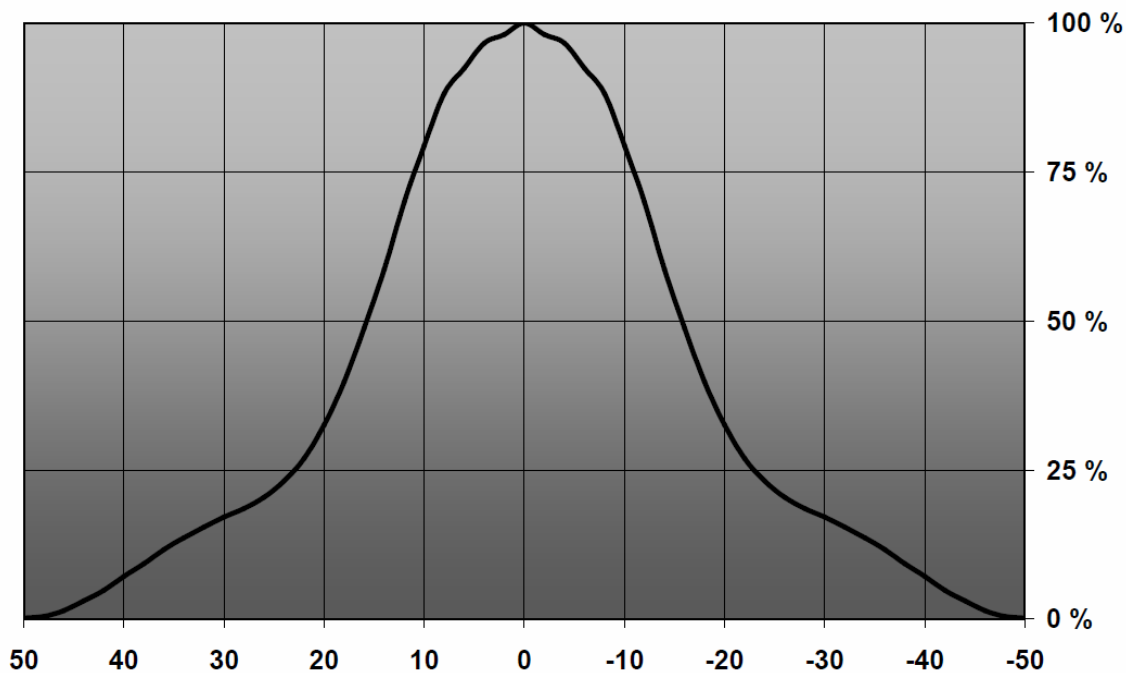
© Ledil Oy – PRELIMINARY - Subject to change without prior notice

Ledil Oy
 Tehdaskatu 13
 FIN-24100 SALO, Finland

www.ledil.com
 email: ledil@ledil.com
 FAX: +358-2-733 8001

2010-06-04

Relative Intensity of CA11476_Tyra2-M-tape



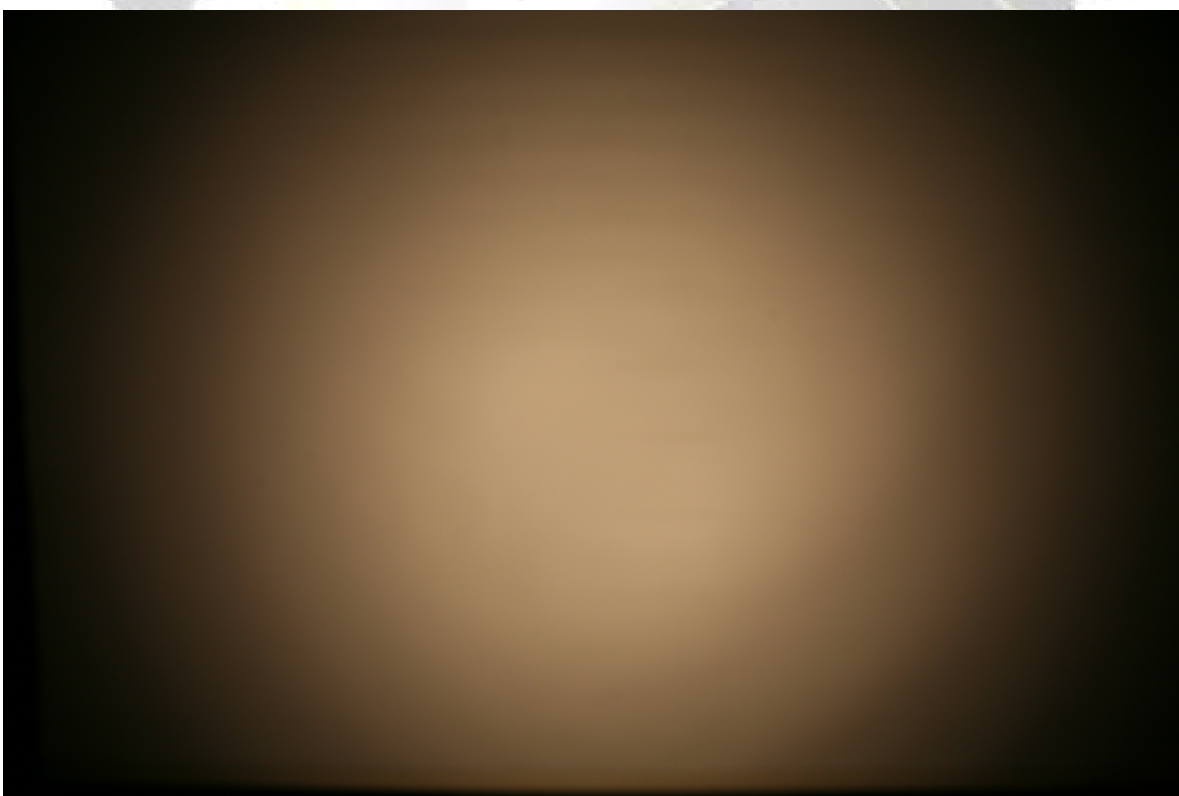
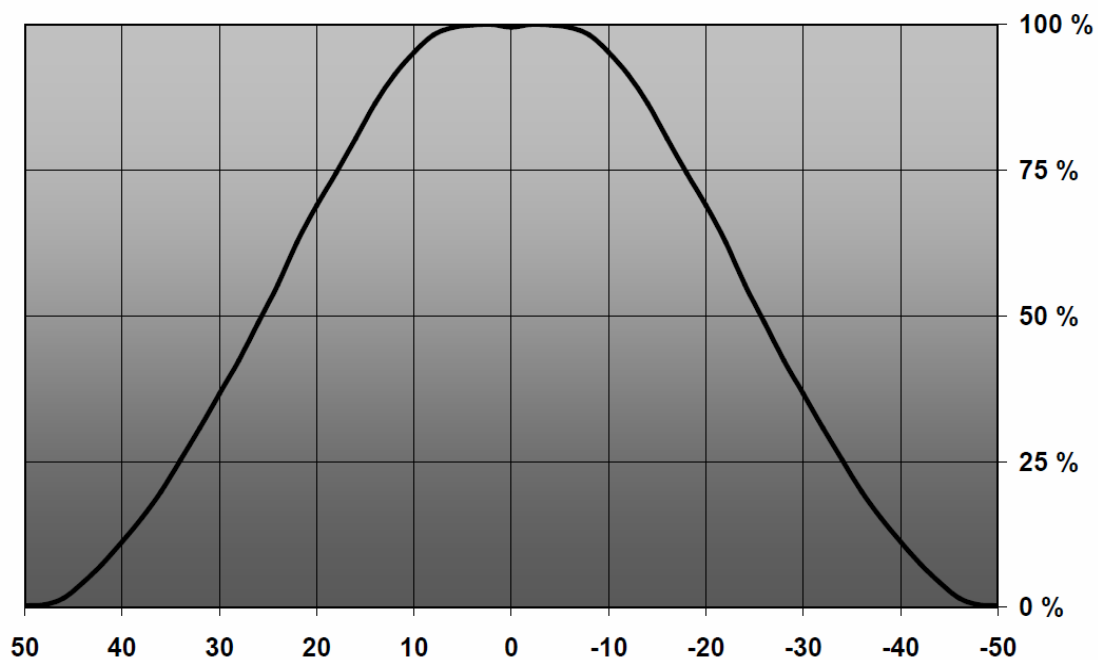
© Ledil Oy – PRELIMINARY - Subject to change without prior notice

Ledil Oy
 Tehdaskatu 13
 FIN-24100 SALO, Finland

www.ledil.com
 email: ledil@ledil.com
 FAX: +358-2-733 8001

2010-06-04

Relative Intensity of CA11477_Tyra2-W-tape



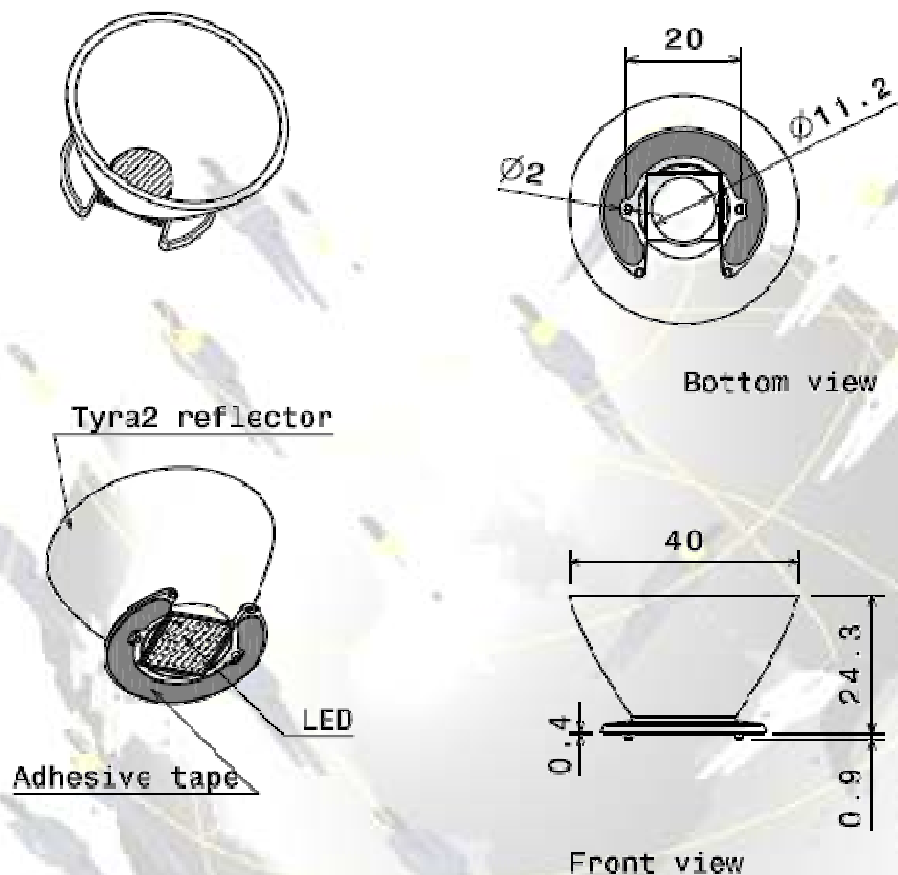
© Ledil Oy – PRELIMINARY - Subject to change without prior notice

Ledil Oy
 Tehdaskatu 13
 FIN-24100 SALO, Finland

www.ledil.com
 email: ledil@ledil.com
 FAX: +358-2-733 8001

2010-06-04

DRAWINGS



Material: PC
Metal coating with laquering

This drawing is our property.
It can't be reproduced
or communicated without
our written agreement.



Ledil Oy
Tehdaskatu 13
FIN-24100 SALO
Finland

DRAWING TITLE

Datasheet Tyra2 series

DRAWN BY ol	DATE 08.04.2010	DRAWING NUMBER			REV 1
CHECKED BY sn	DATE 03.04.2010	SIZE A4	DRAWING NUMBER		
DESIGNED BY ol	DATE 08.04.2010	SCALE 2:1	WEIGHT (g)		SHEET 1/1

© Ledil Oy - PRELIMINARY - Subject to change without prior notice

Ledil Oy
Tehdaskatu 13
FIN-24100 SALO, Finland

www.ledil.com
email: ledil@ledil.com
FAX: +358-2-733 8001

2010-06-04