

Tuija-3 lenses for Sharp GM2BB... (Double Dome) LEDs



SHARP



- Designed for Sharp GM2BB... (Double Dome) series of LEDs.
- Lens material optical grade PMMA with high UV and temperature resistance (105°C/220°F)
- High optical efficiency, >85%
- No lens holder. Fastening to heat sink with droplets of glue. NOTE: legs go into the PCB by 1.2 mm only, do not go thru a normal MCPCB
- Diameter 50 mm (MR16)
- Mechanical CAD models available upon request
- All 3 lens types have the same outer dimensions.

LENS TYPES

NAME	ORDERING CODE	FWHM Angle, with DD-E
Tuija-3 spot	C11192_Tuija-3-SS-DD	±6°
Tuija-3 medium	C11193_Tuija-3-M-DD	±8°
Tuija-3 wide	C11191_Tuija-3-W-DD	±29°

© Ledil Oy – PRELIMINARY - Subject to change without prior notice

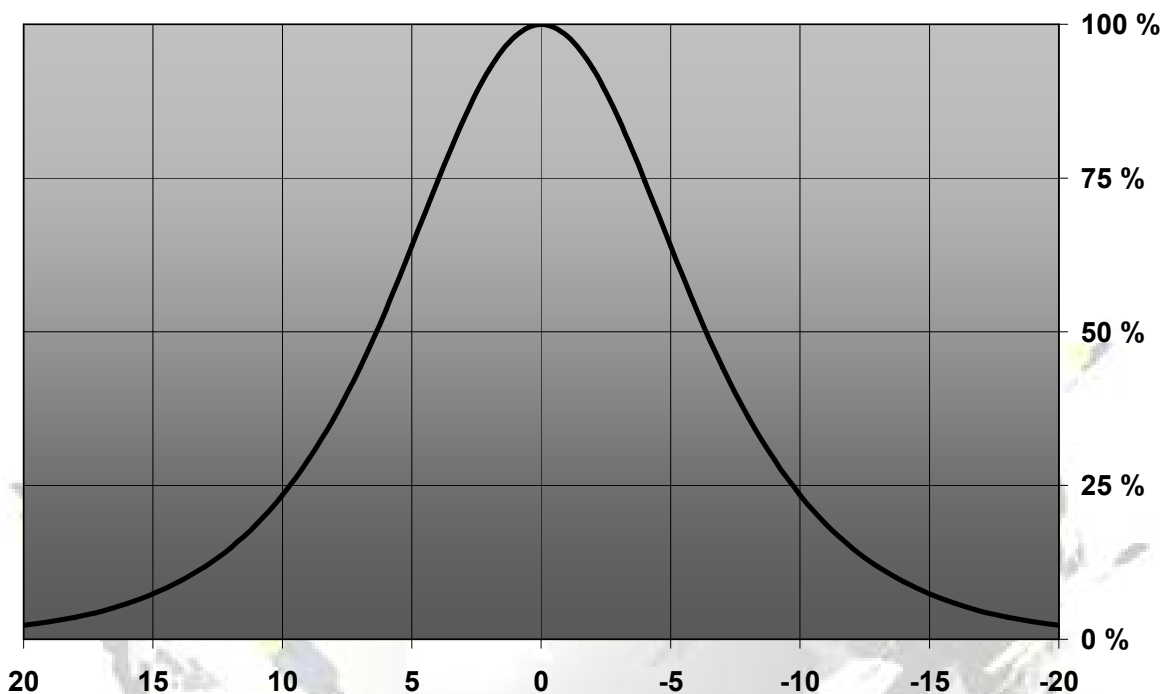
Ledil Oy
Tehdaskatu 13
FIN-24100 SALO, Finland

www.ledil.com
email: ledil@ledil.com
FAX: +358-2-733 8001

2009-12-31

MEASUREMENT DATA

Relative Intensity of C11192_Tuija-3-SS-DD



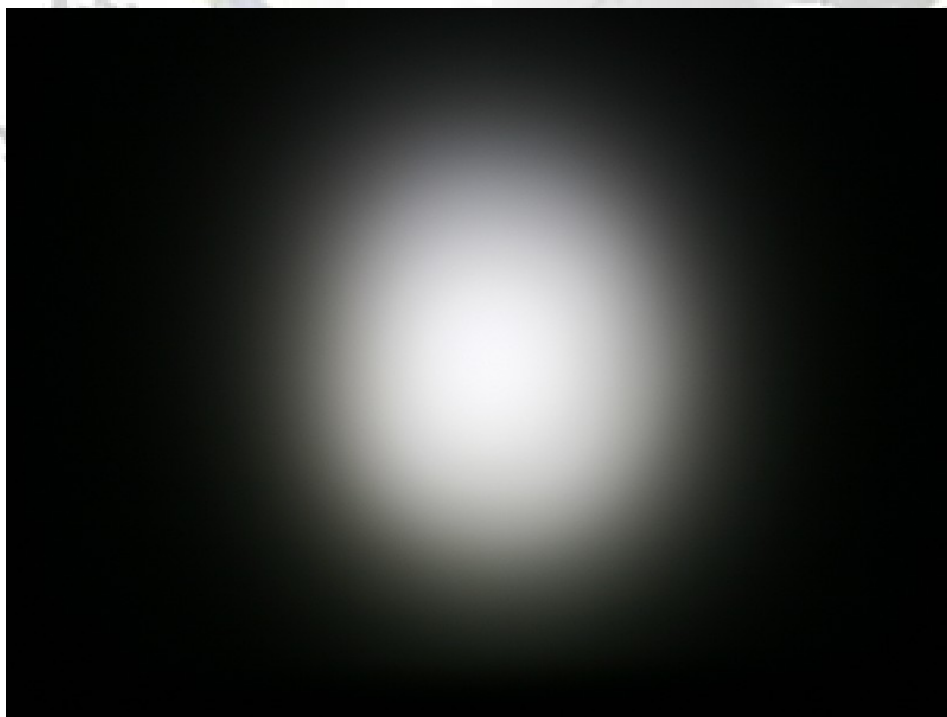
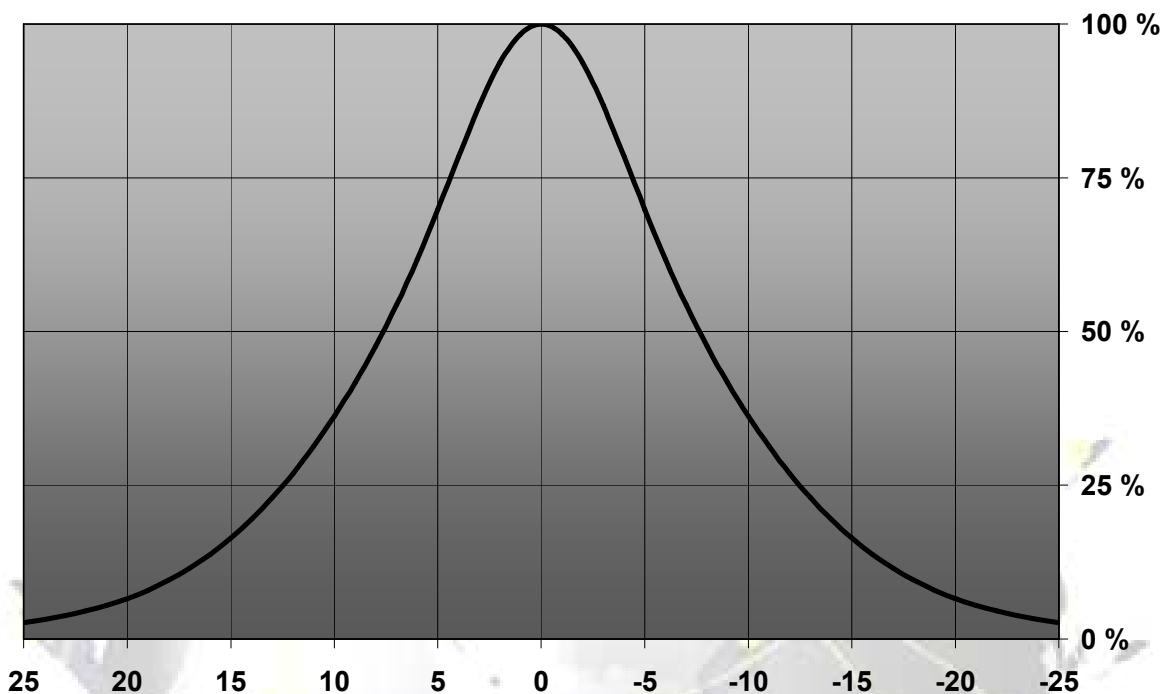
© Ledil Oy – PRELIMINARY - Subject to change without prior notice

Ledil Oy
 Tehdaskatu 13
 FIN-24100 SALO, Finland

www.ledil.com
 email: ledil@ledil.com
 FAX: +358-2-733 8001

2009-12-31

Relative Intensity of C11193_Tuija-3-M-DD



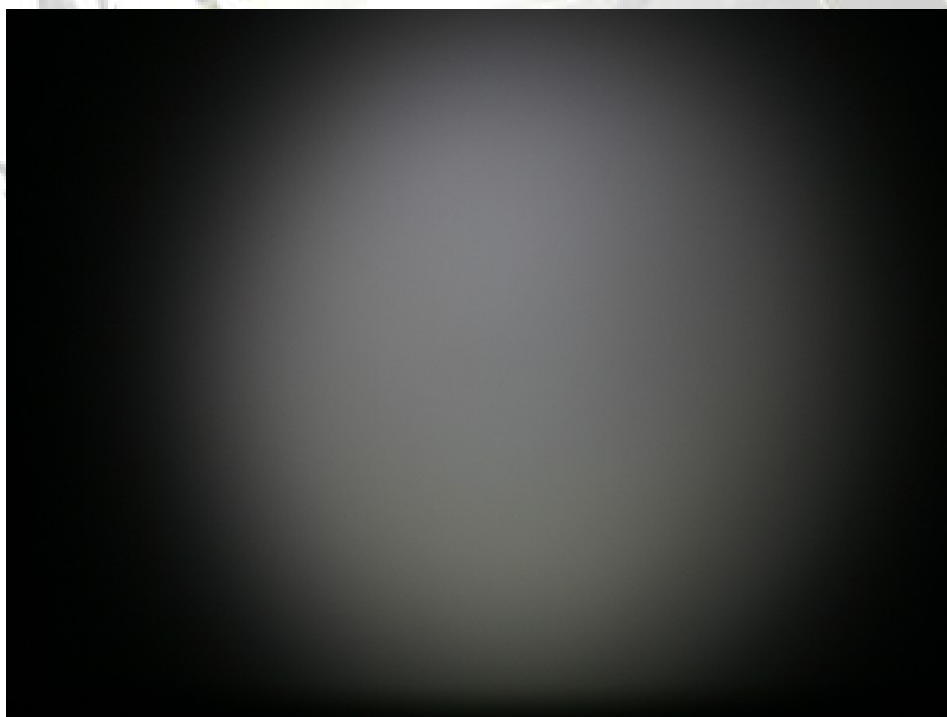
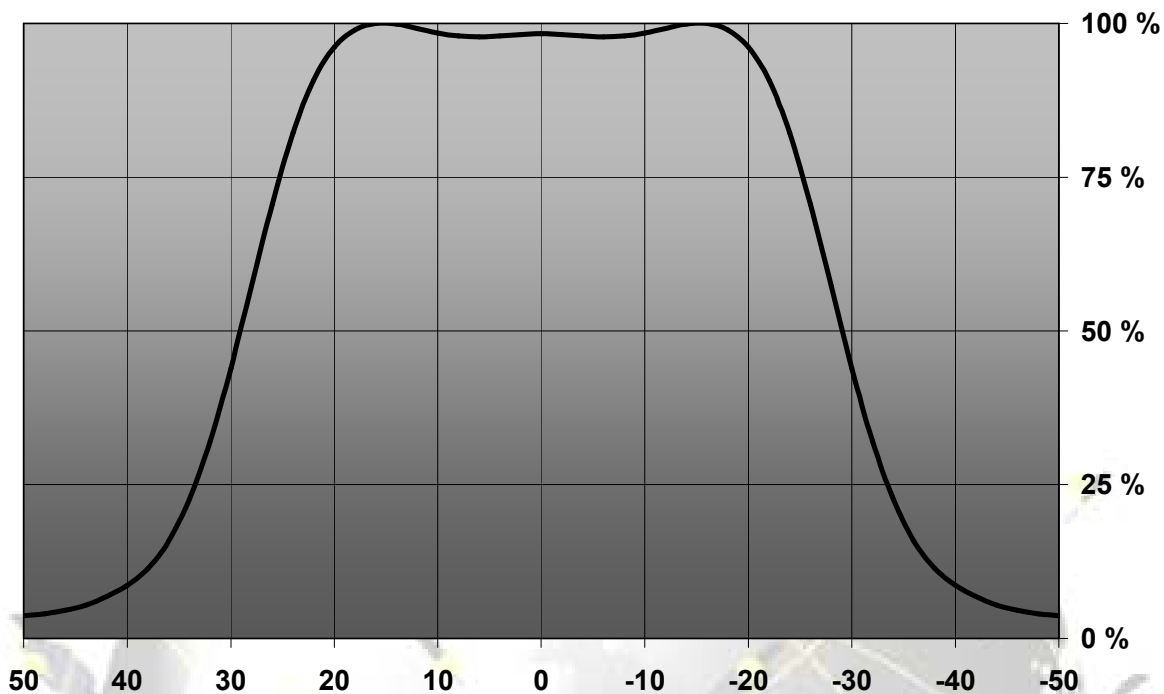
© Ledil Oy – PRELIMINARY - Subject to change without prior notice

Ledil Oy
Tehdaskatu 13
FIN-24100 SALO, Finland

www.ledil.com
email: ledil@ledil.com
FAX: +358-2-733 8001

2009-12-31

Relative Intensity of C11191_Tuija-3-W-DD



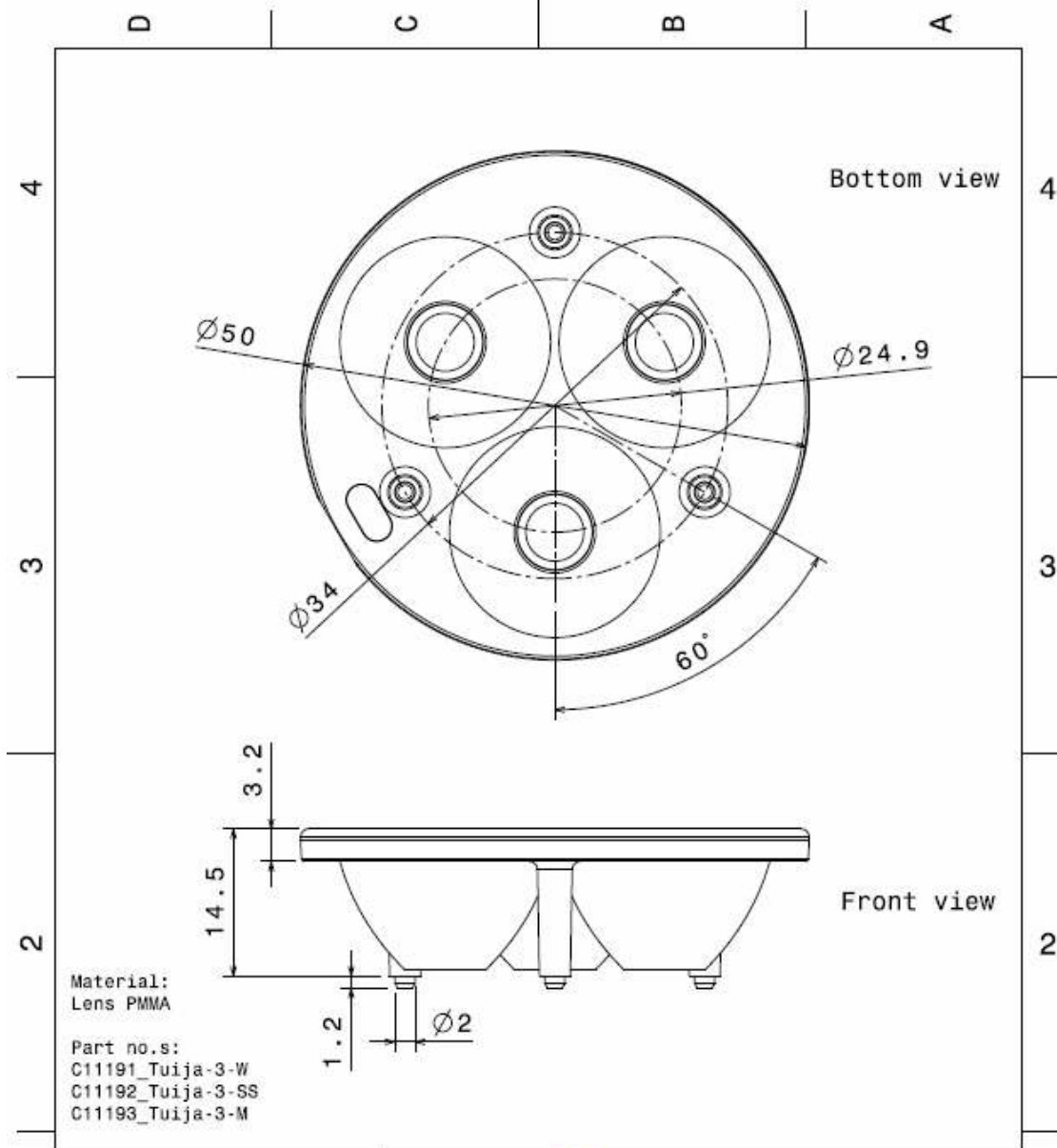
© Ledil Oy – PRELIMINARY - Subject to change without prior notice

Ledil Oy
 Tehdaskatu 13
 FIN-24100 SALO, Finland

www.ledil.com
 email: ledil@ledil.com
 FAX: +358-2-733 8001

2009-12-31

DRAWINGS



This drawing is our property. It can't be reproduced or communicated without our written agreement.				Ledil Oy Tehdaskatu 13 FIN-24100 SALO Finland	
DRAWING TITLE		Datashet Tuija-3 lens			
DRAWN BY pv	DATE 12.10.2009	SIZE A4		DRAWING NUMBER C11191-193	REV 1
CHECKED BY lk	DATE 09.10.2009	SCALE 2:1		WEIGHT (g)	SHEET 1/1
DESIGNED BY HH	DATE 29.05.2007				

© Ledil Oy – PRELIMINARY - Subject to change without prior notice