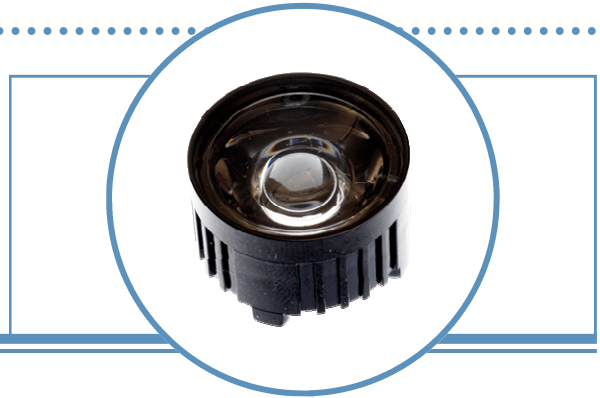


Secondary Lens with Holder

OVLENSxx4

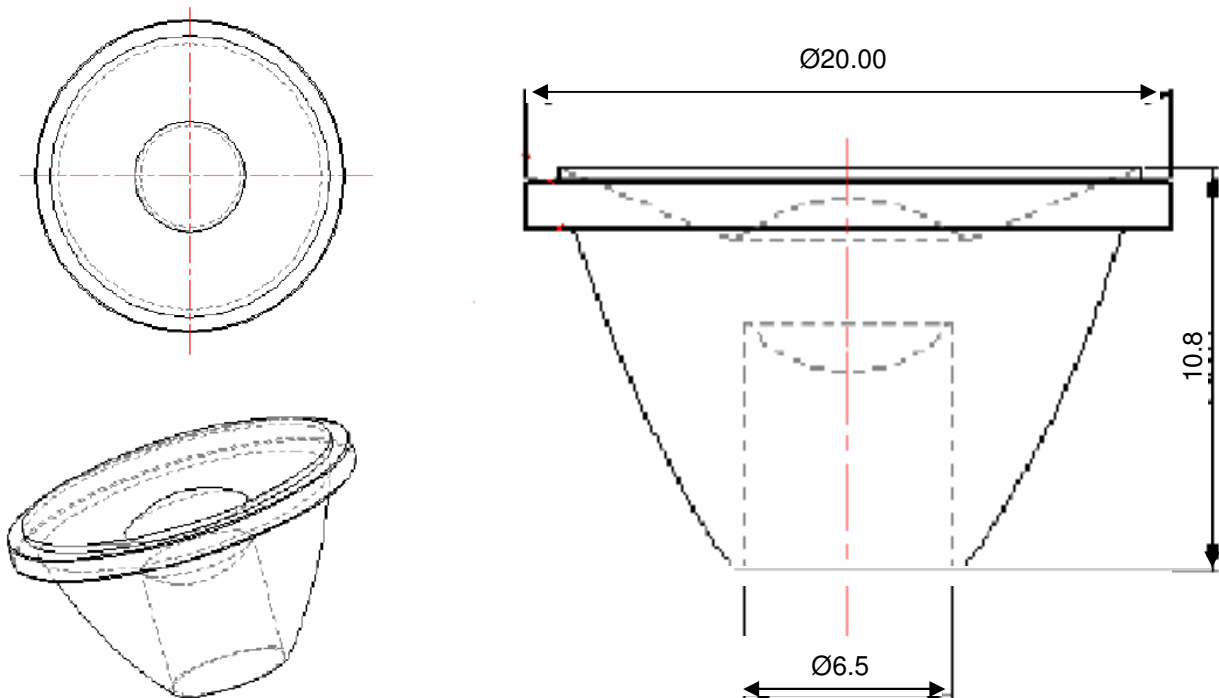
- Custom designed for Optek OVSxxxCR4 LED Series
- Efficient light extraction and high flux output
- Narrow viewing angles
- Precision molded with optical grade plastic



These water-clear polycarbonate lenses with black holders are specifically designed to mate with Optek's 6x6mm power surface mount LEDs (OVSxxxCR4 Series) to provide a more narrow beam angle. Lenses are available in both 15° and 23° viewing angles. The lenses and holders sit firmly over the LED component and is easily attached to the PCB/MCPCB with adhesive.

Part Number	Viewing Angle	Material	Lens Color	Lens Holder
OVLENS154	15°	Polycarbonate	Water Clear	Black
OVLENS234	23°			

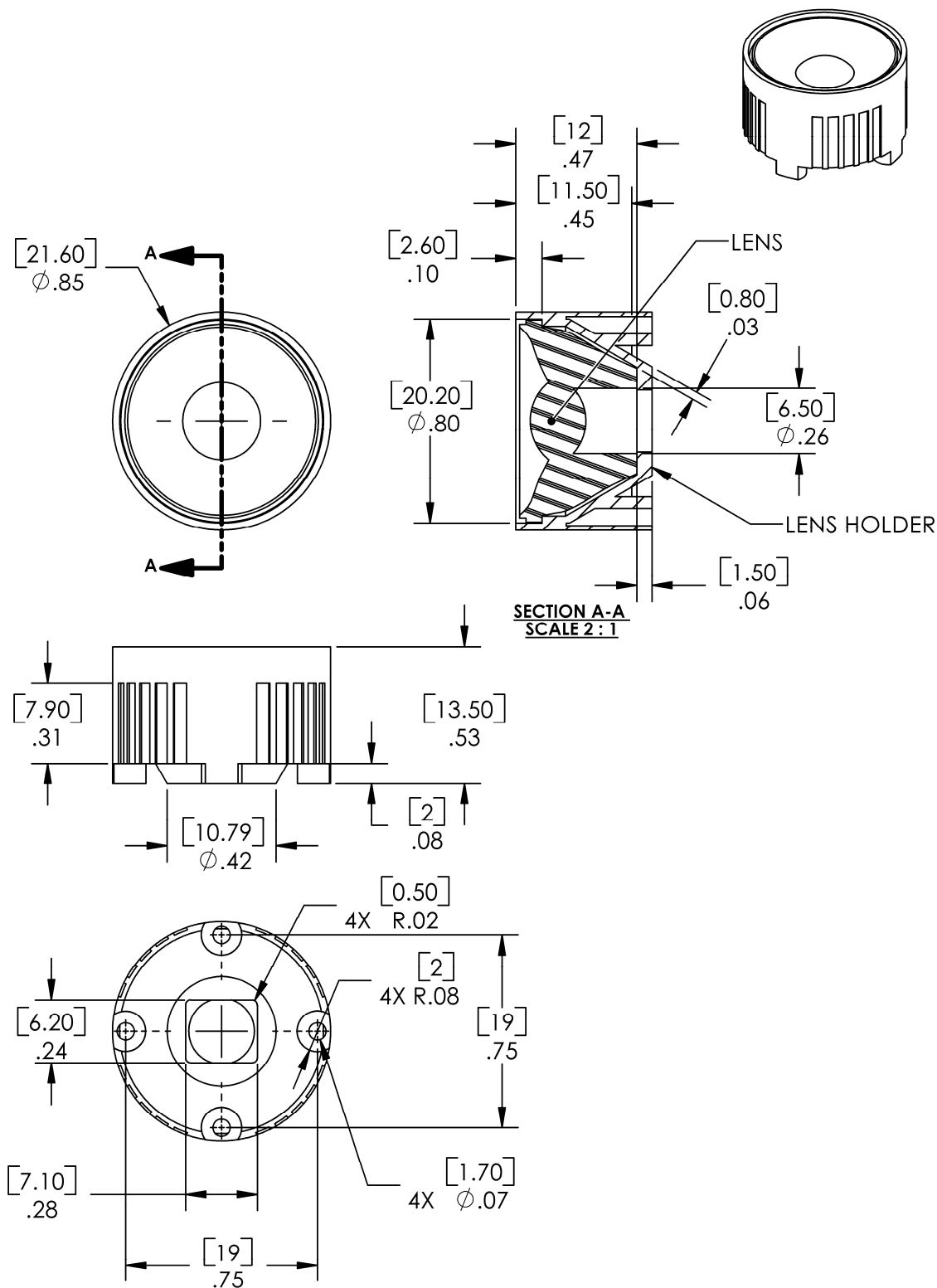
Lens Dimensions



OPTEK reserves the right to make changes at any time in order to improve design and to supply the best product possible.

Secondary Lens with Holder For OVSxxxCR4 LED Series

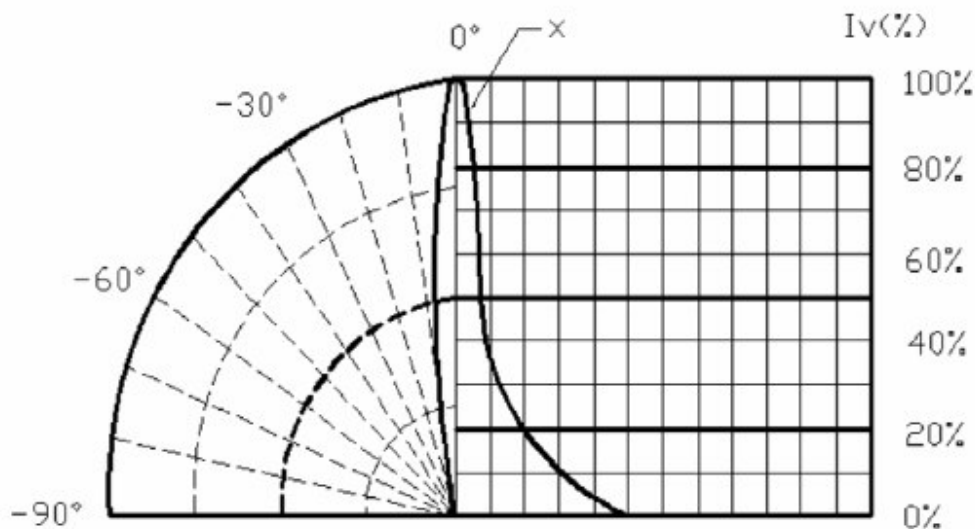
Lens Holder Dimensions



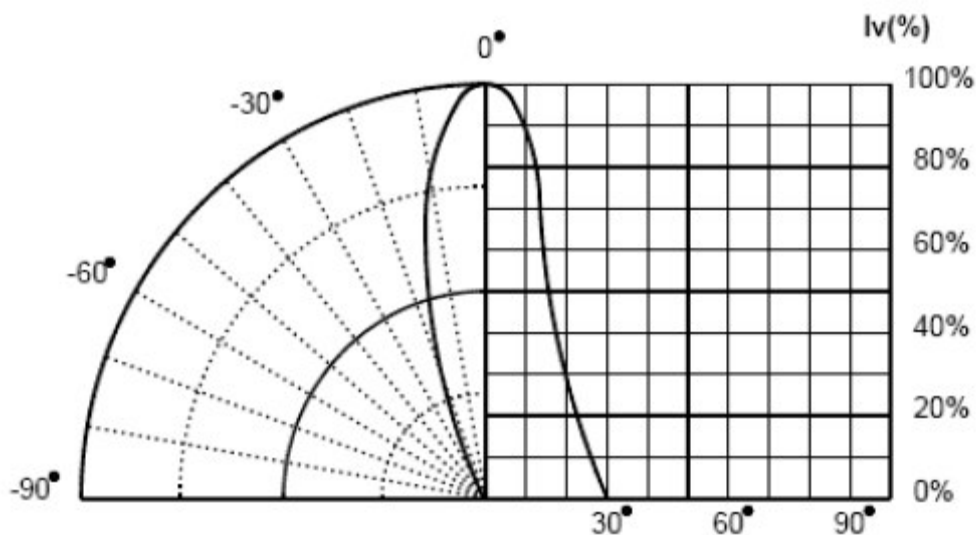
OPTEK reserves the right to make changes at any time in order to improve design and to supply the best product possible.

Secondary Lens with Holder For OVSxxxCR4 LED Series

Radiation Pattern for OVLENS154



Radiation Pattern for OVLENS234



OPTEK reserves the right to make changes at any time in order to improve design and to supply the best product possible.