

GT3-XP lenses for Cree XP-E/C series of LEDs



- Specially designed for Cree XP-E series of LEDs.
- Special care taken to make a uniform white or warm white illumination.
- Lens material optical grade PMMA with high UV and temperature resistance (105°C/220°F). Allows use of high current and temperature conditions
- Best available optical efficiency, up to 90%.
- Please check fastening details from this link:
http://www.ledil.com/datasheets/DataSheet_GLUES.pdf

LENS TYPES

NAME	ORDERING CODE	FWHM
GT3-XP Spot	C10891_GT3-XP-S	±7°
GT3-XP Medium	C10892_GT3-XP-M	±14°
GT3-XP Wide	C10893_GT3-XP-W	±20°
GT3-XP WW	C11624_GT3-XP-WW	Coming soon

© Ledil Oy – PRELIMINARY - Subject to change without prior notice

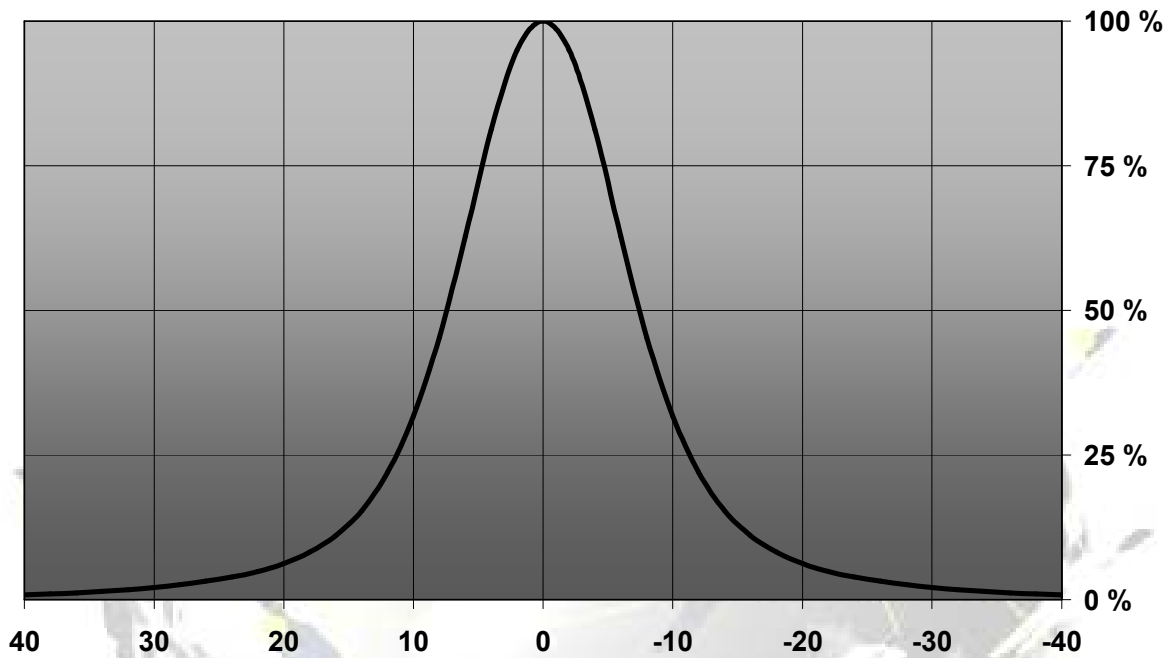
Ledil Oy
 Tehdaskatu 13
 FIN-24100 SALO, Finland

www.ledil.com
 email: ledil@ledil.com
 FAX: +358-2-733 8001

2010-08-02

MEASUREMENT DATA

Relative intensity of C10891_GT3-XP-S



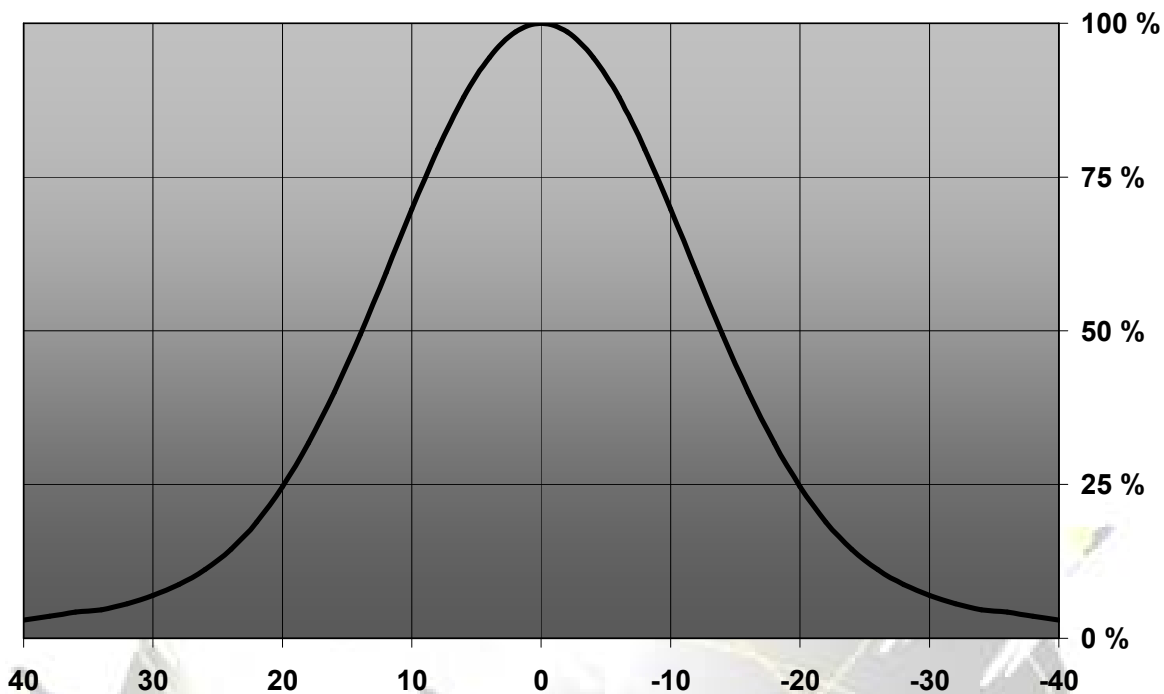
© Ledil Oy – PRELIMINARY - Subject to change without prior notice

Ledil Oy
Tehdaskatu 13
FIN-24100 SALO, Finland

www.ledil.com
email: ledil@ledil.com
FAX: +358-2-733 8001

2010-08-02

Relative Intensity of C10892_GT3-XP-M



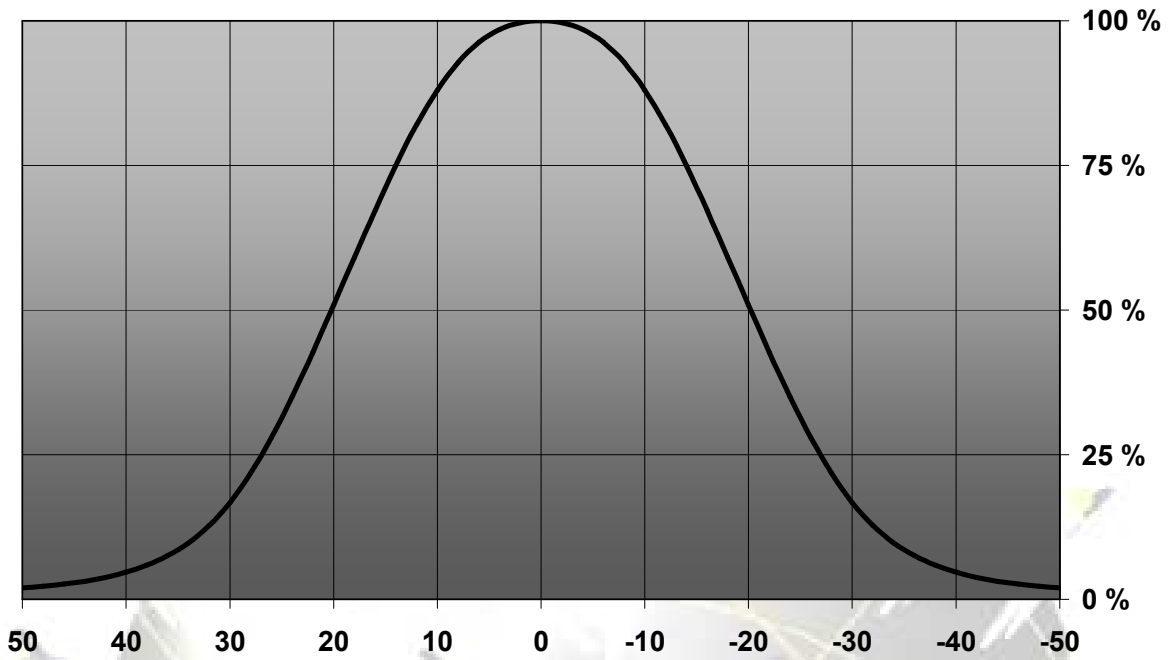
© Ledil Oy – PRELIMINARY - Subject to change without prior notice

Ledil Oy
 Tehdaskatu 13
 FIN-24100 SALO, Finland

www.ledil.com
 email: ledil@ledil.com
 FAX: +358-2-733 8001

2010-08-02

Relative intensity of C10893_GT3-XP-W



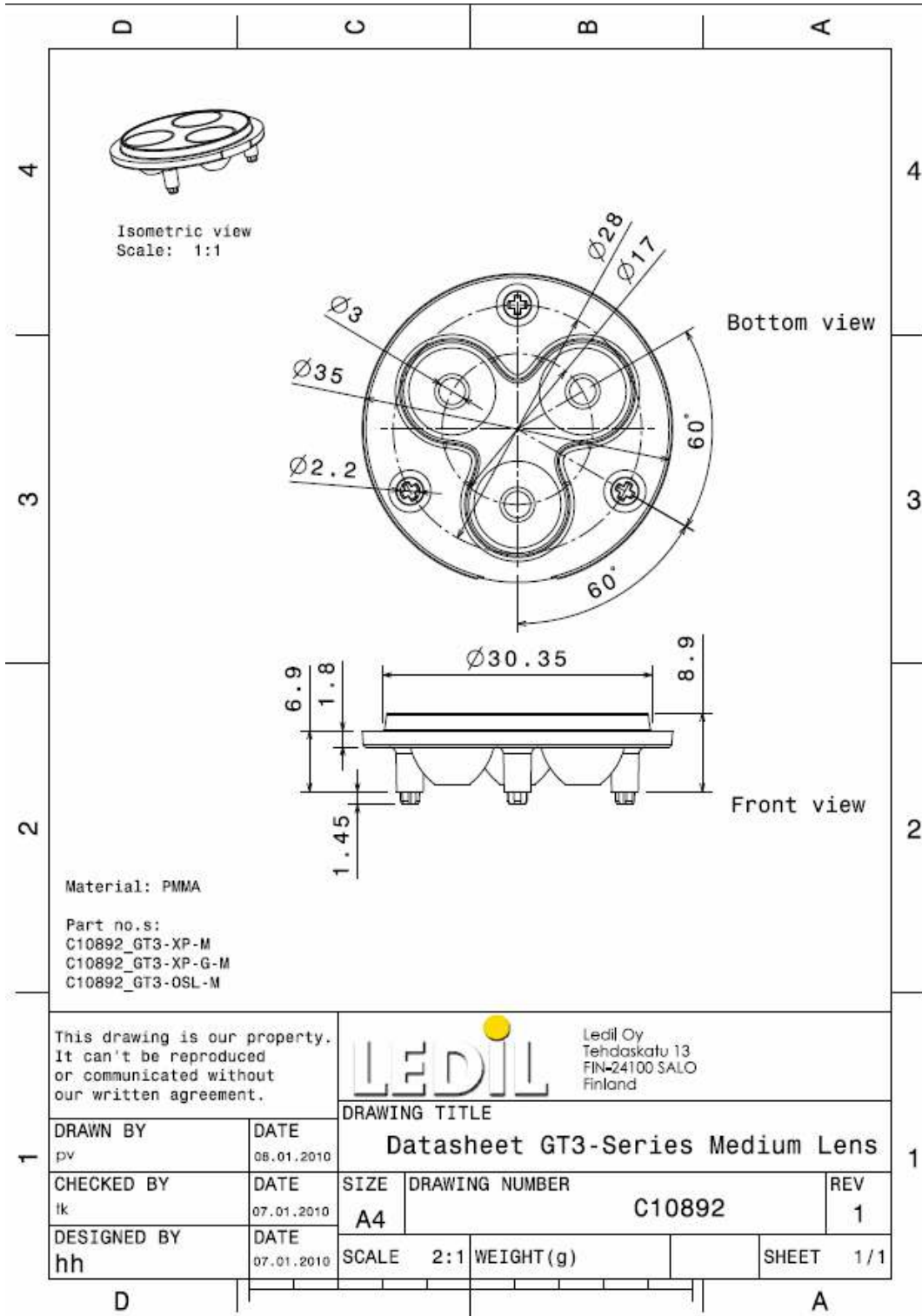
© Ledil Oy – PRELIMINARY - Subject to change without prior notice

Ledil Oy
Tehdaskatu 13
FIN-24100 SALO, Finland

www.ledil.com
email: ledil@ledil.com
FAX: +358-2-733 8001

2010-08-02

DRAWINGS



© Ledil Oy - PRELIMINARY - Subject to change without prior notice

Ledil Oy
Tehdaskatu 13
FIN-24100 SALO, Finland

www.ledil.com
email: ledil@ledil.com
FAX: +358-2-733 8001

2010-08-02